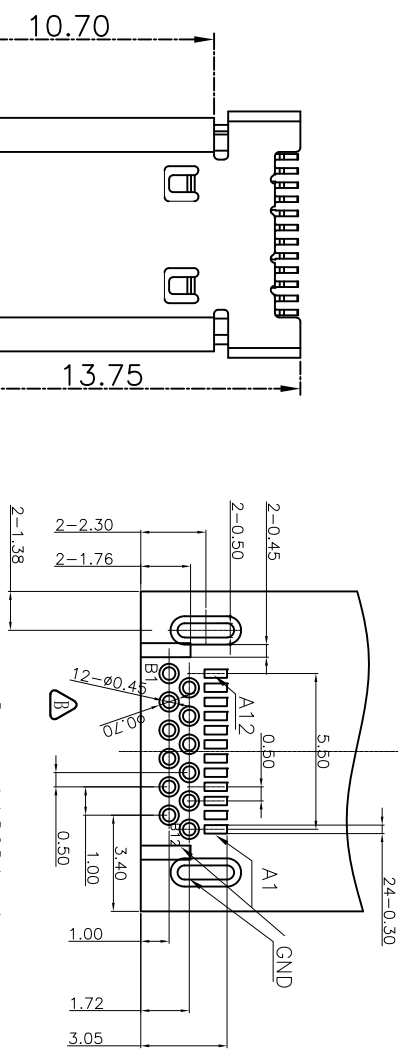
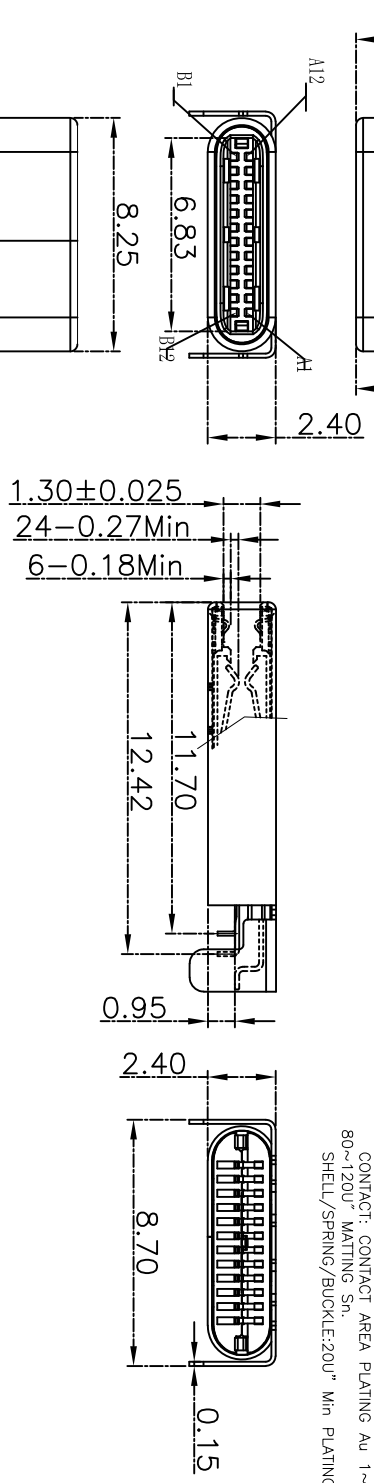


REV.	ECN. NO.	APPD.
A		

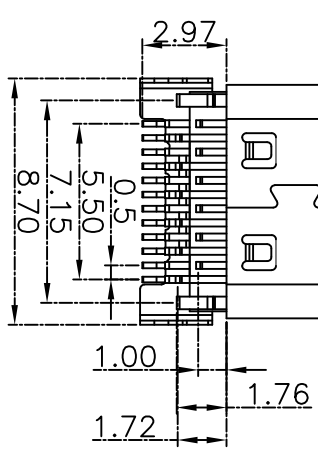


Recommended P.C.B Layout  
Tolerance ±0.05

- NOTE:
- 1.1 INSULATOR: HIGH TEMPERATURE PLASTIC UL 94 V-0;
  - 1.2 CONTACT: COPPER ALLOY(T=0.20mm)
  - 1.3 SHELL: STEEL(T=0.15mm)
  2. ELECTRICAL CHARACTERISTICS:
    - 2.1 CONTACT RESISTANCE: 40mΩ Max FOR INITIAL, 10mΩ CHANGE AFTER TEST MEASURE AT 20mV, 100mA.
    - 2.2 CONTACT CURRENT RATING: 5A Max FOR VBUS/GND PIN; 0.9A Max FOR Other PIN.
    - 2.3 DIELECTRIC WITHSTANDING VOLTAGE: 100V AC R.M.S.
    - 2.4 INSULATION RESISTANCE: 100MΩMin
    - 2.5 OPERATING TEMPERATURE: -40°C~85°C
  3. MECHANICAL CHARACTERISTICS:
    - 3.1 MATING FORCE: 5~20 N.
    - 3.2 UNMATED FORCE: 6~20N AFTER TEST
    - 3.3 DURABILITY: 10,000 CYCLES, 500 CYCLES/H
  4. PLATING: CONTACT AREA PLATING Au 1~30u", SOLDER AREA PLATING 80~120u" MATTING Sn, SHELL/SPRING/BUCKLE:20u" Min PLATING OVER ALL



A12	A11	A10	A9	A8	A7	A6	A5	A4	A3	A2	A1
GND	RX2+RX2-	Vbus	SBU1	D-	D+	CC	Vbus	TX1-	TX1+	GND	GND
B1	B2	B3	B4	B5	B6	B7	B8	B9	B10	B11	B12



X. ±0.30	X° ±5°	UNITS mm	NAME(INTENDED USE)	MINTRON CO.,LTD.
X ±0.20	X° ±2°	MATL		
.XX ±0.10	.XX° ±1°		PART NO.(INTENDED USE)	TITLE: TYPE C公头铜壳式沉板0.95端子前插后贴
.XXX ±0.05	.XXX° ±0.5°	FINISH		DWG NO.: 00304-UCAM005-X
TYPE C CONNECTOR		QTY	APPD: SUNNY	SCALE 1/1
			CHKD: LISA	SHEET 1/1
			DR: ZOE	REV. A
			2022-06-10	