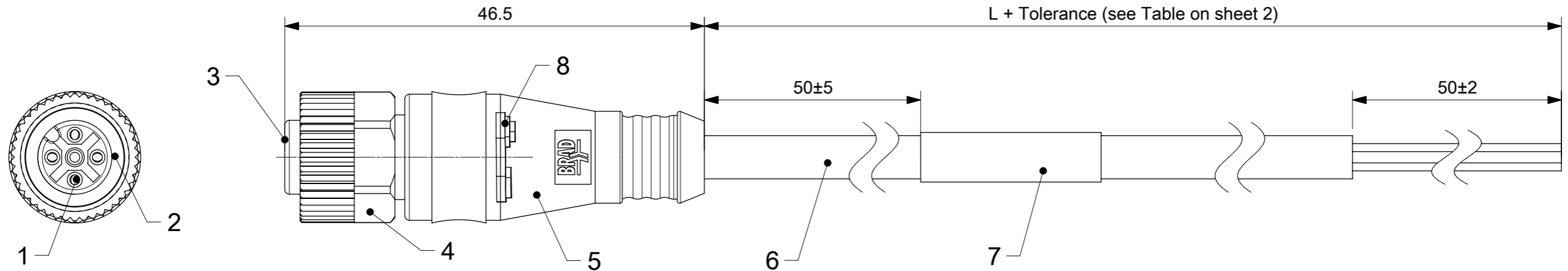
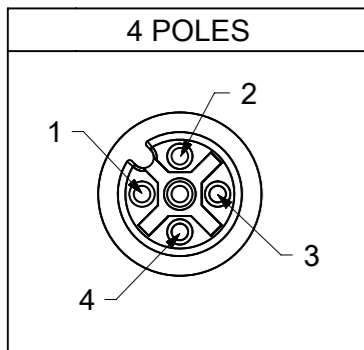


FEMALE PLUG M12 STRAIGHT PNP LED



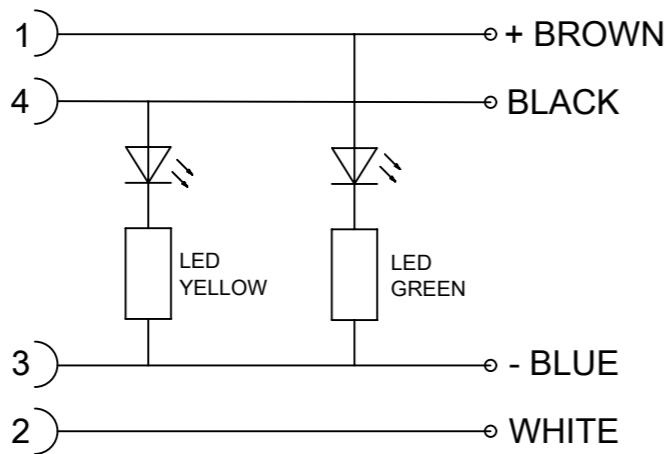
CONTACT POSITION FRONT VIEW:



| PIN | WIRE |
|-----|-------|
| 1 | BROWN |
| 2 | WHITE |
| 3 | BLUE |
| 4 | BLACK |
| 5 | - |

CODING REQUIRED TO IEC 61076-2-101

PNP WIRING



BILL OF MATERIALS

| ITEM | QTY. | DESCRIPTION | MATERIAL | FINISH |
|------|------|--------------------------|-------------|----------------------------|
| 8 | 1 | PCB PNP | --- | --- |
| 7 | 1 | LABEL YELLOW | VINYL | --- |
| 6 | - | CABLE | SEE SHEET 2 | --- |
| 5 | - | OVERMOULDING TRANSPARENT | TPU | --- |
| 4 | 1 | COUPLING NUT FEMALE | BRASS | NICKEL |
| 3 | 1 | INSERT FEMALE BLACK | PUR | --- |
| 2 | 1 | ORING RED | FPM | --- |
| 1 | 4 | CONTACT M12 FEMALE | BRASS | SELECTIVE GOLD OVER NICKEL |

THIS DRAWING CONTAINS INFORMATION THAT IS PROPRIETARY TO MOLEX ELECTRONIC TECHNOLOGIES, LLC AND SHOULD NOT BE USED WITHOUT WRITTEN PERMISSION

| | | | | | | | | | | | | | | | | | | | |
|--|--|--|--|--|--|--------|-----------------|----------|--------|-------------|----------------|-----------------|----------|----------|--------------|------------|-----|-----|--------|
| QUALITY SYMBOLS FA = 0 FE = 0 FB = 0 FV = 0 FC = 0 FX = 0 FS = 0 FT = 0 | EC NO.: 105100 DRWN: APAWLAK01 CHK'D: MIWASIECZKO APPR: MIWASIECZKO | 2016/05/16 2016/05/20 2016/05/20 | GENERAL TOLERANCES (UNLESS SPECIFIED) ANGULAR TOL ± 1.0 ° 4 PLACES ± 3 PLACES ± 2 PLACES ± 0.05 1 PLACE ± 0.1 0 PLACES ± 0.2 | DIMENSION UNITS: mm SCALE: 2:1 DRWN BY: APAWLAK01 DATE: 2016/05/16 CHK'D BY: MIWASIECZKO DATE: 2016/05/20 APPR BY: MIWASIECZKO DATE: 2016/05/20 | <p>CSE M12 PNP 4P AC FE STR WSOR XM SE BK</p> <p>PRODUCT CUSTOMER DRAWING</p> <table border="1"> <tr> <td>SERIES</td> <td>MATERIAL NUMBER</td> <td>CUSTOMER</td> </tr> <tr> <td>120067</td> <td>SEE SHEET 2</td> <td>GENERAL MARKET</td> </tr> </table> <table border="1"> <tr> <td>DOCUMENT NUMBER</td> <td>DOC TYPE</td> <td>DOC PART</td> <td>SHEET NUMBER</td> </tr> <tr> <td>1200678463</td> <td>PSD</td> <td>000</td> <td>1 OF 2</td> </tr> </table> | SERIES | MATERIAL NUMBER | CUSTOMER | 120067 | SEE SHEET 2 | GENERAL MARKET | DOCUMENT NUMBER | DOC TYPE | DOC PART | SHEET NUMBER | 1200678463 | PSD | 000 | 1 OF 2 |
| | SERIES | MATERIAL NUMBER | CUSTOMER | | | | | | | | | | | | | | | | |
| | 120067 | SEE SHEET 2 | GENERAL MARKET | | | | | | | | | | | | | | | | |
| | DOCUMENT NUMBER | DOC TYPE | DOC PART | SHEET NUMBER | | | | | | | | | | | | | | | |
| 1200678463 | PSD | 000 | 1 OF 2 | | | | | | | | | | | | | | | | |
| DRAFT WHERE APPLICABLE MUST REMAIN WITHIN DIMENSIONS | | A3 | THIRD ANGLE PROJECTION | | | | | | | | | | | | | | | | |
| RELEASE STATUS: P1 RELEASE DATE: 2016/05/20 06:35:26 | | | | | | | | | | | | | | | | | | | |
| | | | | | | | | | | | | | | | | | | | |

ENGINEERING NO. - NUMERICAL CODE (Available parts see PART LIST table. Others on request).

8 0 4 0 P 0 B 3 0 X X X X

80 = M12x1
Single ended

Poles:
4 = 4 Poles

Heads style:
0P0 = Plug Female
Straight PNP LED

Cable:
B30 = 0.34mm² TPU Black

Units:
M = Meter

Length
Examples:
005 = 0.5 m
010 = 1 m
020 = 2 m
050 = 5 m
100 = 10 m
150 = 15 m
200 = 20 m

| CABLE TYPE | NO. OF WIRES | CROSS SECTION | CABLE JACKET | UL | CSA | STATIC: TEMP. / BENDING RADIUS | DYNAMIC: TEMP. / BENDING RADIUS | DRAG CHAIN | SHIELD |
|------------|--------------|---------------------|--------------|----------------|-----|--------------------------------|---------------------------------|------------|--------|
| B30 | 4 | 0.34mm ² | TPU BLACK | UL STYLE 21215 | YES | -40°C to +90°C, 5xD | -25°C to +80°C, 7.5xD | - | - |

| CABLE LENGTH TOLERANCES | | |
|-------------------------|-----------|-------|
| LENGTH | TOLERANCE | |
| shorter 1m | +40 mm | -0 mm |
| 1m-5m | +60 mm | -0 mm |
| 5m-10m | +80 mm | -0 mm |
| 10m-20m | +140 mm | -0 mm |
| 20m-30m | +160 mm | -0 mm |
| longer 30m | +1% | -0 mm |

PART LIST

| MOLEX PN | ENGINEERING PN | CABLE LENGTH IN METER |
|------------|----------------|-----------------------|
| 1200678463 | 8040P0B30M010 | 1m |
| 1200678464 | 8040P0B30M020 | 2m |
| 1200678465 | 8040P0B30M030 | 3m |
| 1200678430 | 8040P0B30M050 | 5m |
| 1200678466 | 8040P0B30M100 | 10m |

| | | | | | | | | | | | | |
|---|---|---------------------|-----------------|--|----------|------------------------|--------------|--|------------|--------------------------|----------------|--|
| QUALITY SYMBOLS ▽ _A = 0 ▽ _E = 0 ▽ _F = 0 ▽ = 0 ▽ _C = 0 ⊠ = 0 ■ = 0 ▽ _∇ = 0 | THIS DRAWING CONTAINS INFORMATION THAT IS PROPRIETARY TO MOLEX ELECTRONIC TECHNOLOGIES, LLC AND SHOULD NOT BE USED WITHOUT WRITTEN PERMISSION | | | | | | | | | | | |
| | EC NO: 105100 DRWN: APAWLAK01 CHK'D: MIWASIECZKO REV APPR: MIWASIECZKO | 2016/05/16 | | 2016/05/20 | | 2016/05/20 | | GENERAL TOLERANCES (UNLESS SPECIFIED) | | DIMENSION UNITS | SCALE | |
| | | ANGULAR TOL ± 1.0 ° | | | | | | mm | | 1:1 | | |
| | | 4 PLACES ± | | 3 PLACES ± | | 2 PLACES ± 0.05 | | 1 PLACE ± 0.1 | | DRWN BY DATE | | |
| | | 0 PLACES ± 0.2 | | DRAFT WHERE APPLICABLE MUST REMAIN WITHIN DIMENSIONS | | APPR BY DATE | | APAWLAK01 2016/05/16 | | CHK'D BY DATE | | |
| | | A3 | | THIRD ANGLE PROJECTION | | MIWASIECZKO 2016/05/20 | | CSE M12 PNP 4P AC FE STR WSOR XM SE BK | | PRODUCT CUSTOMER DRAWING | | |
| | SERIES | | MATERIAL NUMBER | | CUSTOMER | | 120067 | | SEE TABLE | | GENERAL MARKET | |
| | DOCUMENT NUMBER | | DOC TYPE | | DOC PART | | SHEET NUMBER | | 1200678463 | | PSD 000 2 OF 2 | |