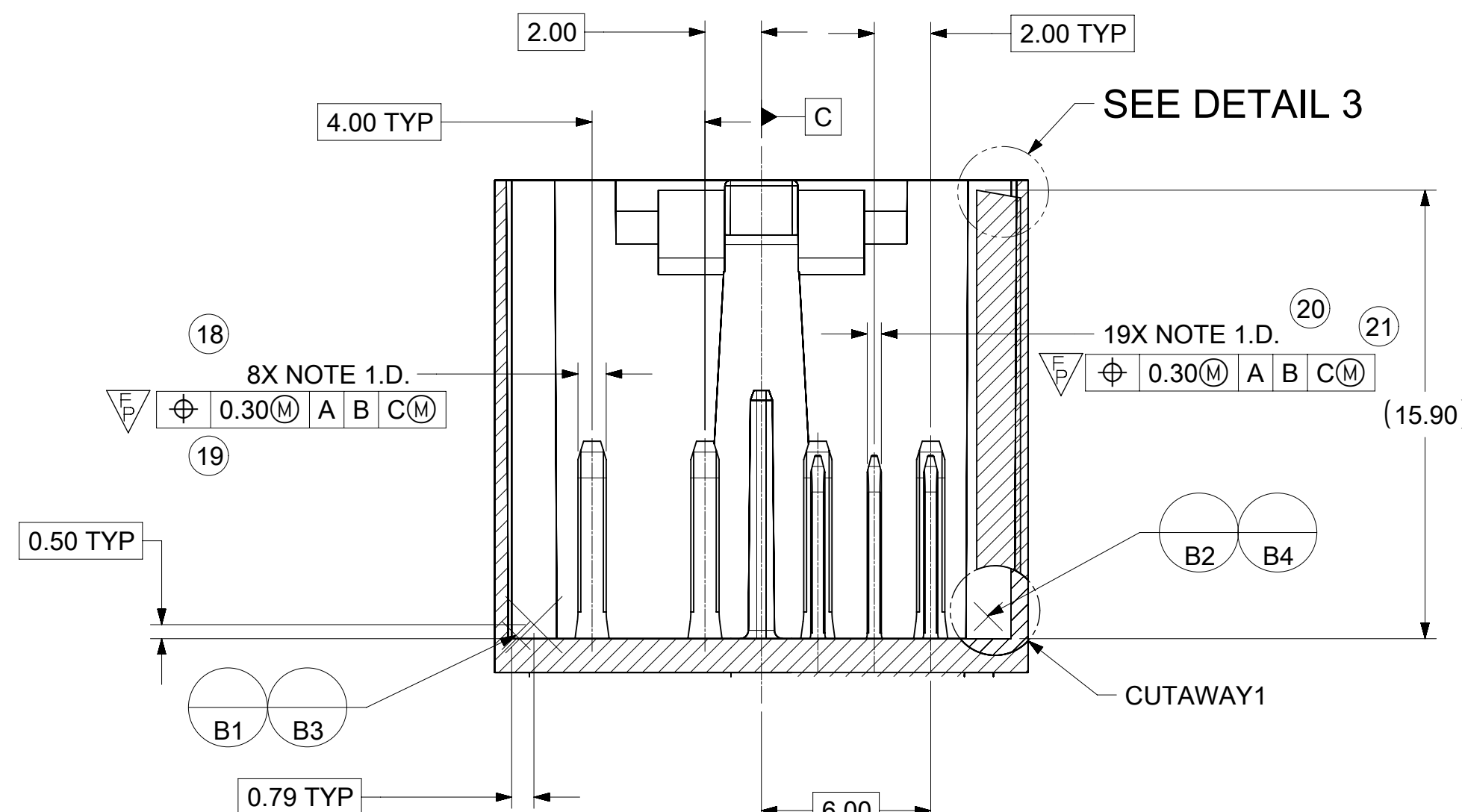
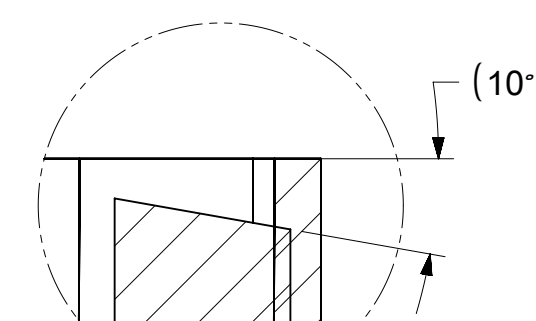


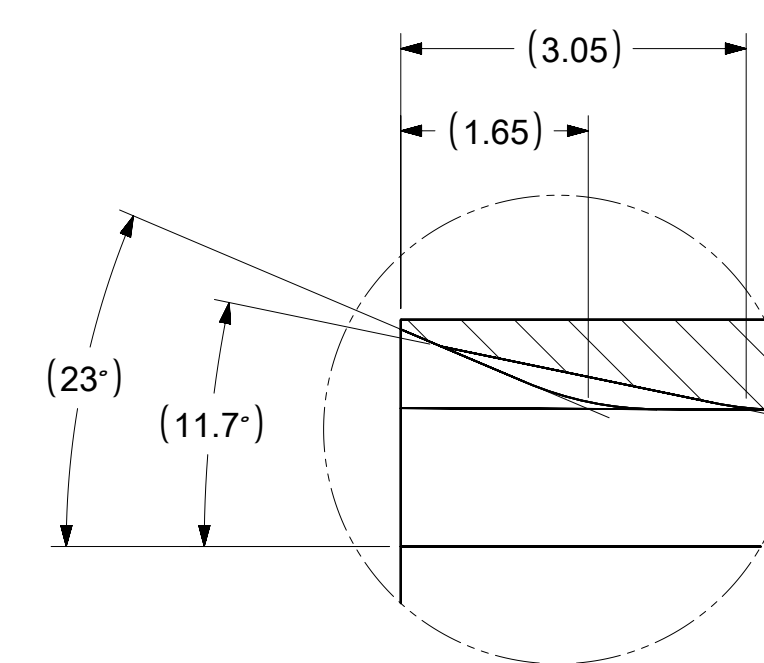
DETAIL 1  
SCALE 20:1



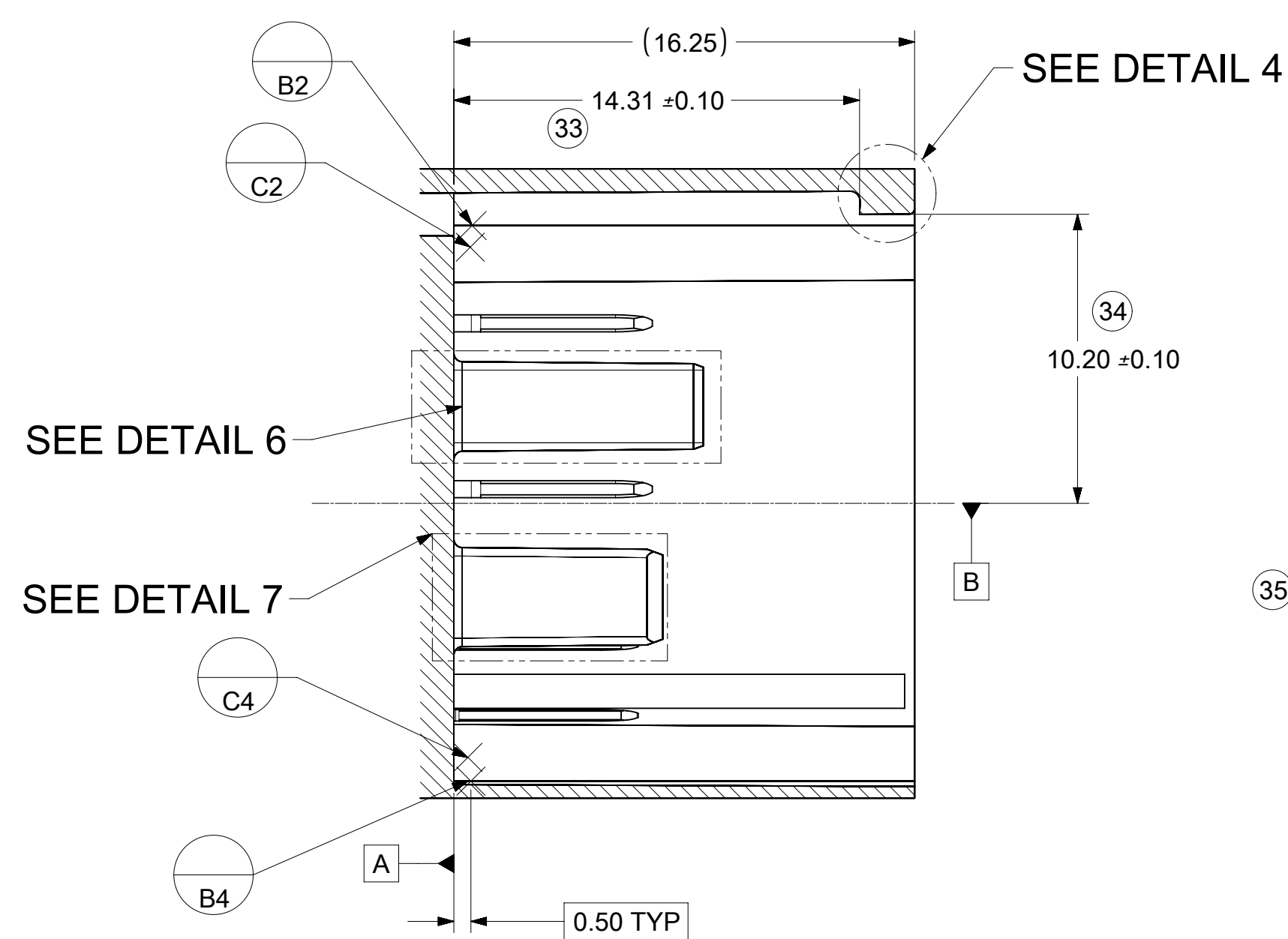
SECTION X-X



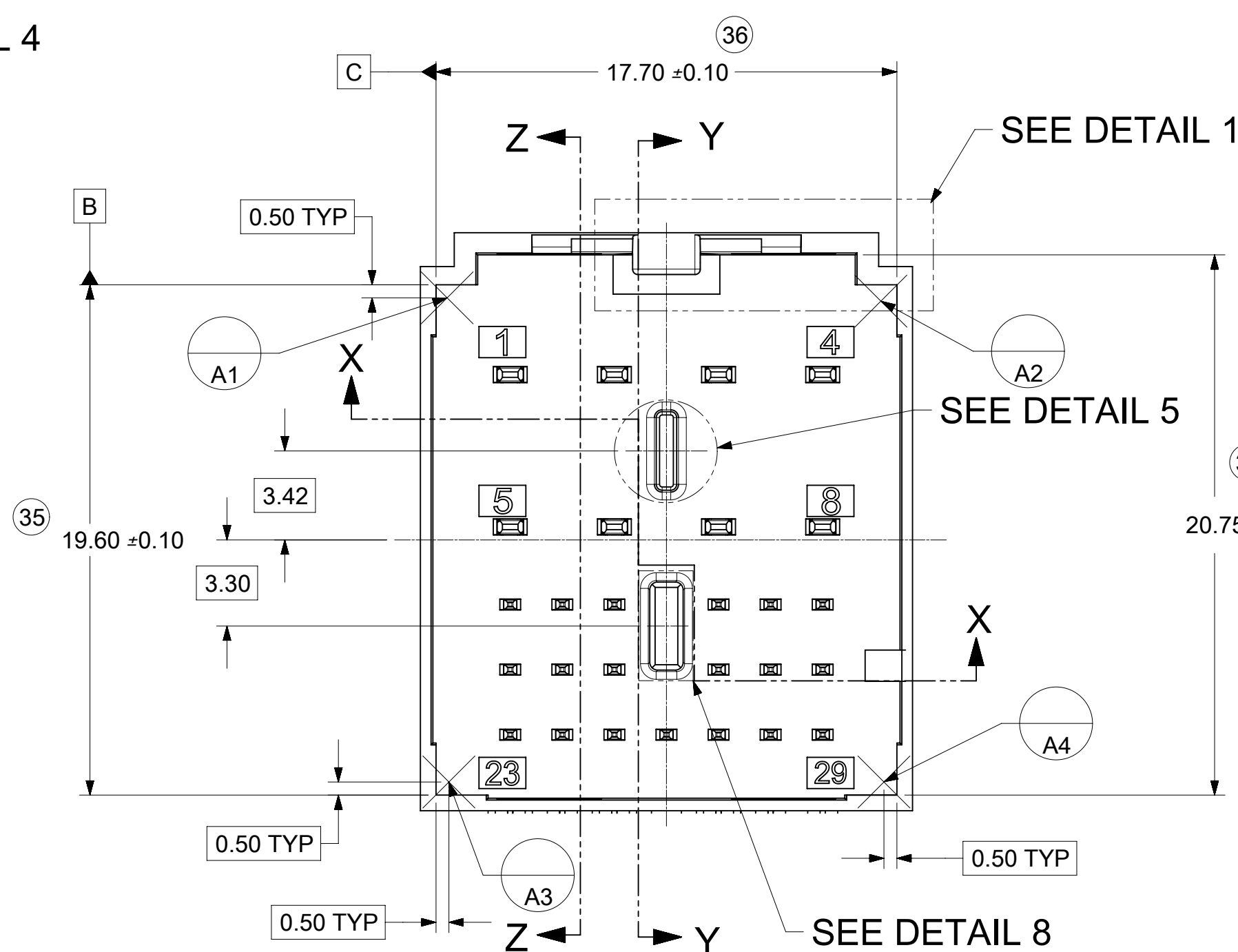
DETAIL 3  
SCALE 15:1



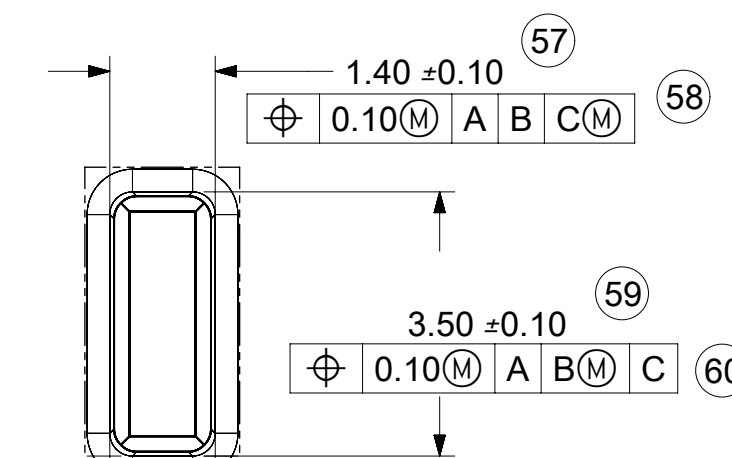
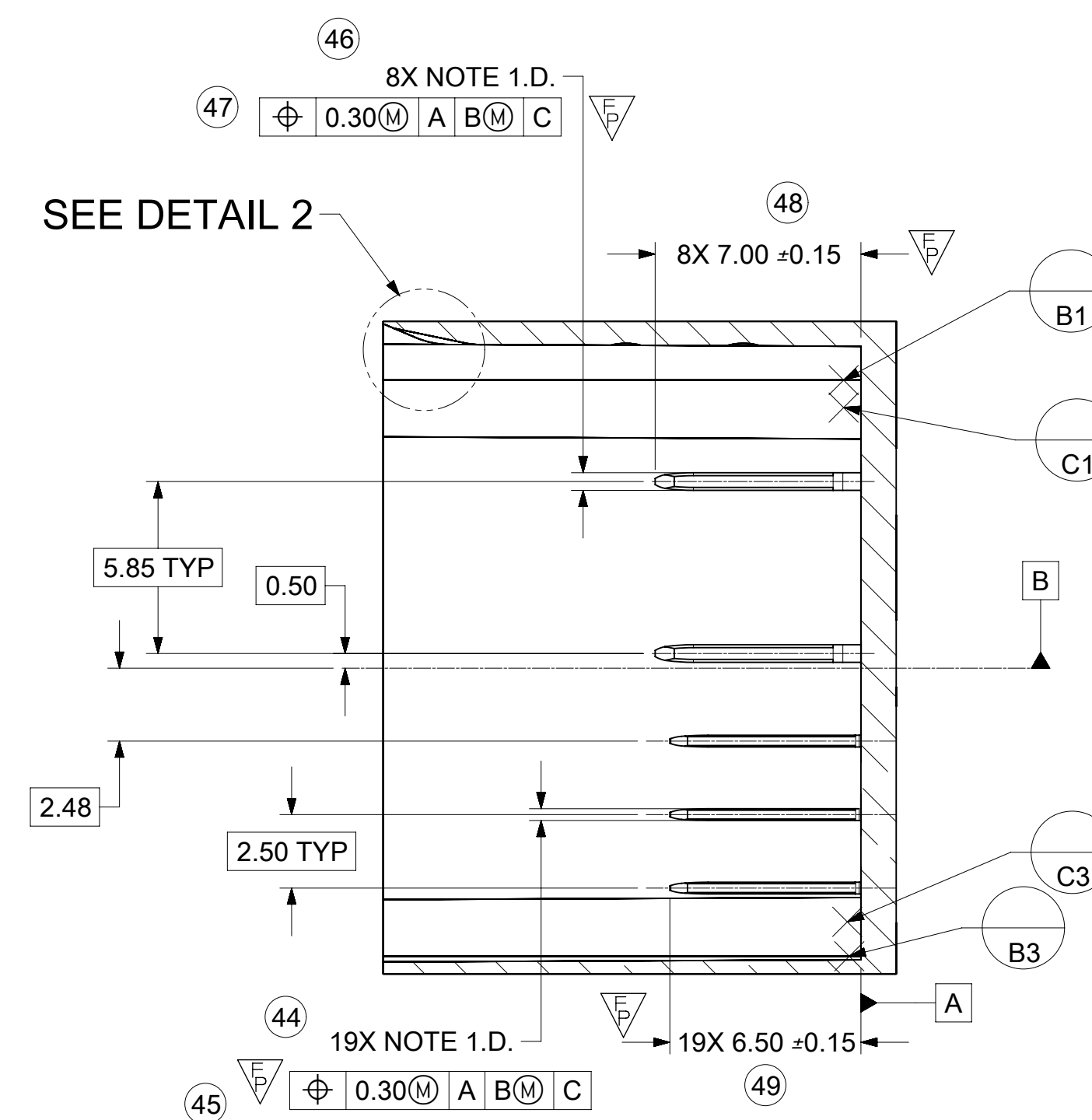
DETAIL 2  
SCALE 15:1



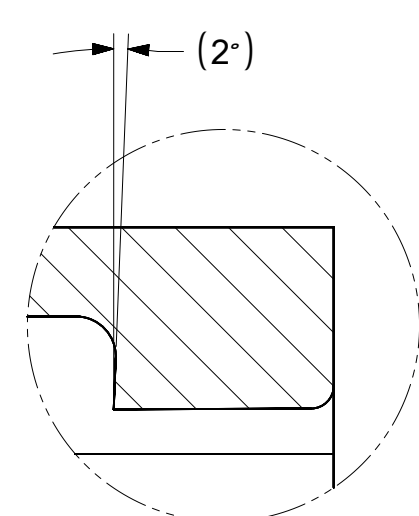
SECTION Y-Y



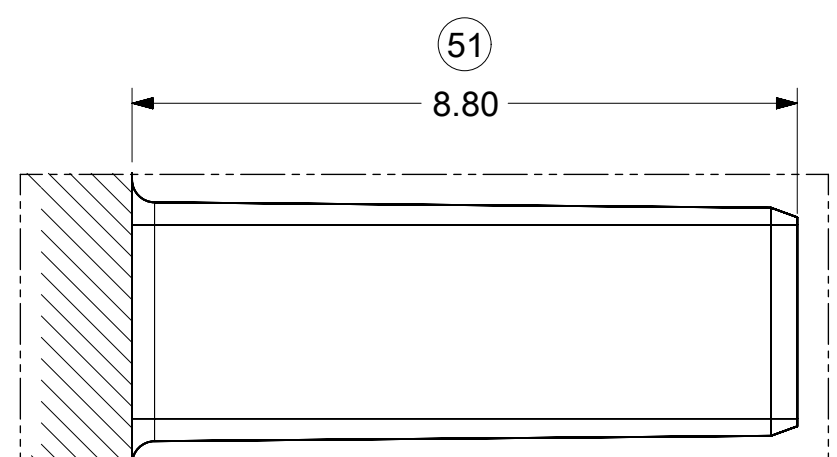
SECTION Z-Z



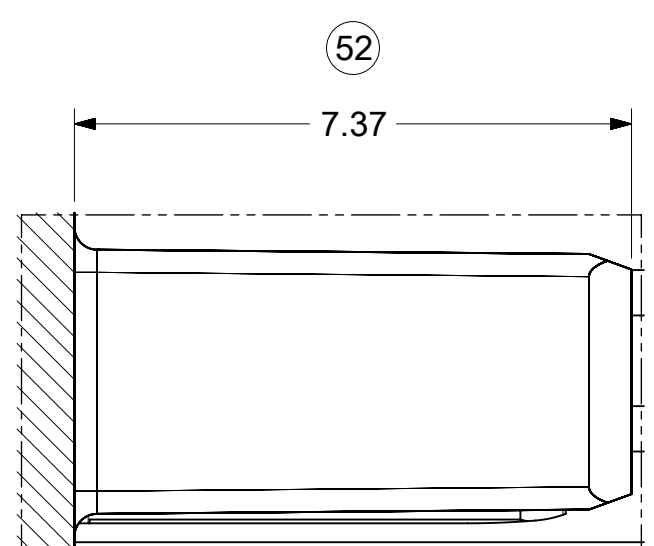
DETAIL 8  
SCALE 10:1



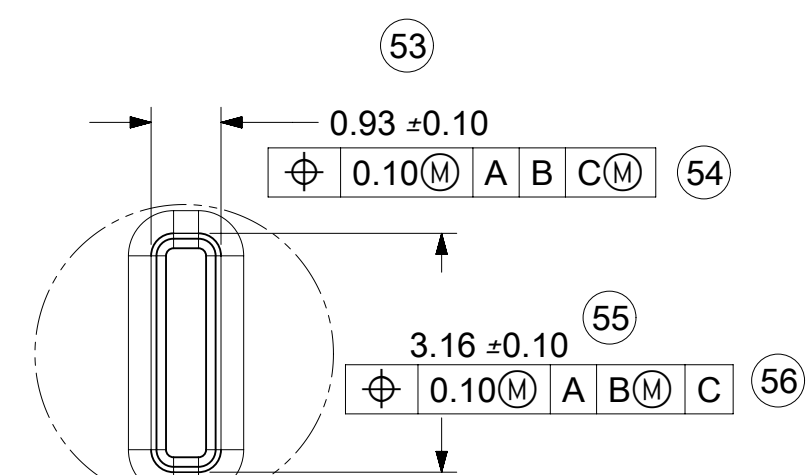
DETAIL 4  
SCALE 15:1



DETAIL 6  
SCALE 10:1



DETAIL 7  
SCALE 10:1



DETAIL 5  
SCALE 10:1

SYMBOLS	THIS DRAWING CONTAINS INFORMATION THAT IS PROPRIETARY TO MOLEX ELECTRONIC TECHNOLOGIES, LLC AND SHOULD NOT BE USED WITHOUT WRITTEN PERMISSION		CURRENT REV DESC: ADDED DIMENSION	
	DIMENSION UNITS	SCALE	BALLOONS	
▽ = 0	mm	5:1		
▽ = 0	GENERAL TOLERANCES (UNLESS SPECIFIED)			
▽ = 6	ANGULAR TOL ± °			
▽ = 0	4 PLACES	±		
▽ = 0	3 PLACES	±		
▽ = 0	2 PLACES	±		
▽ = 0	1 PLACE	±		
▽ = 0	0 PLACES	±		
■ = 0	DRAFT WHERE APPLICABLE MUST REMAIN WITHIN DIMENSIONS			
▽ = 0	THIRD ANGLE PROJECTION	DRAWING	SERIES	
		D-SIZE	160029	
EC NO: 602204		2018/08/02		
DRWN: JCONDON		2018/08/03		
CHK'D: JCONDON		2018/08/03		
APPR: MVANSLAMBROU		2018/08/03		27WAY STAK50H INTERFACE DRAWING
INITIAL REVISION:				PRODUCT CUSTOMER DRAWING
DRWN: DAHALL		2013/11/20		DOCUMENT NUMBER
APPR: KDEKOSKI		2014/01/02		DOC TYPE
				DOC PART
				REVISION
				SD-160029-002
				PSD 001 B1
				MATERIAL NUMBER
				CUSTOMER
				GENERAL MARKET
				SHEET NUMBER
				2 OF 3

