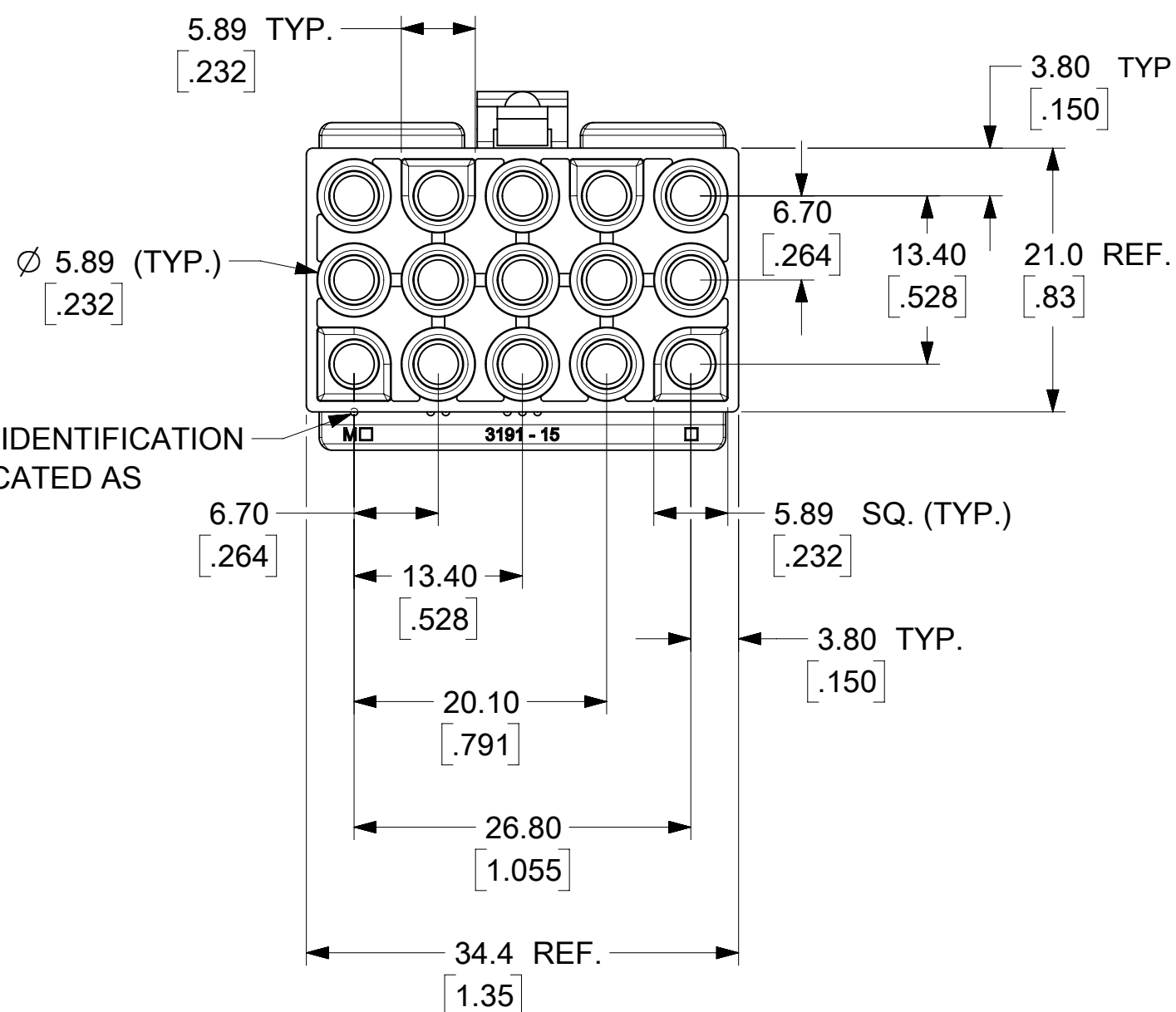
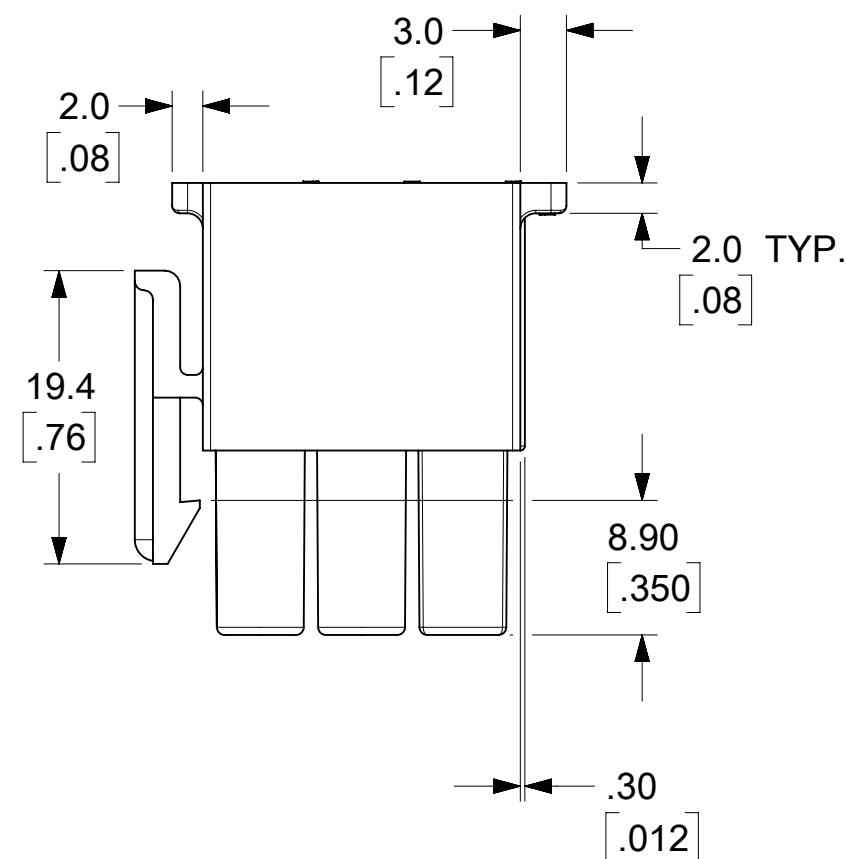
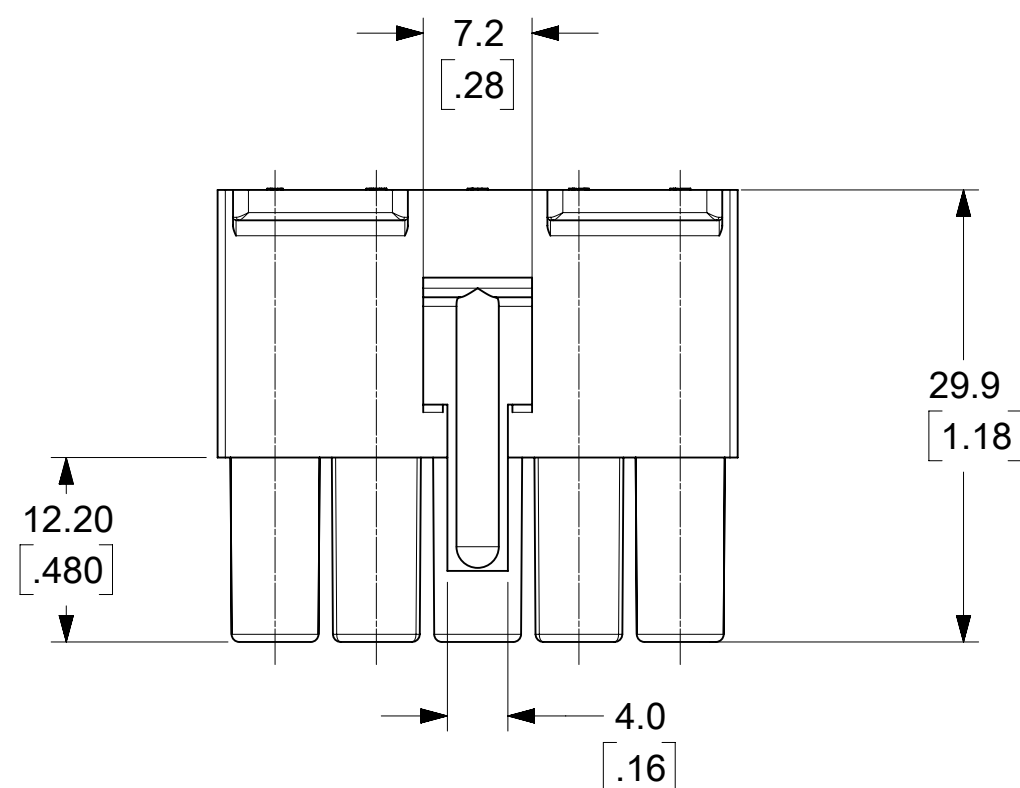
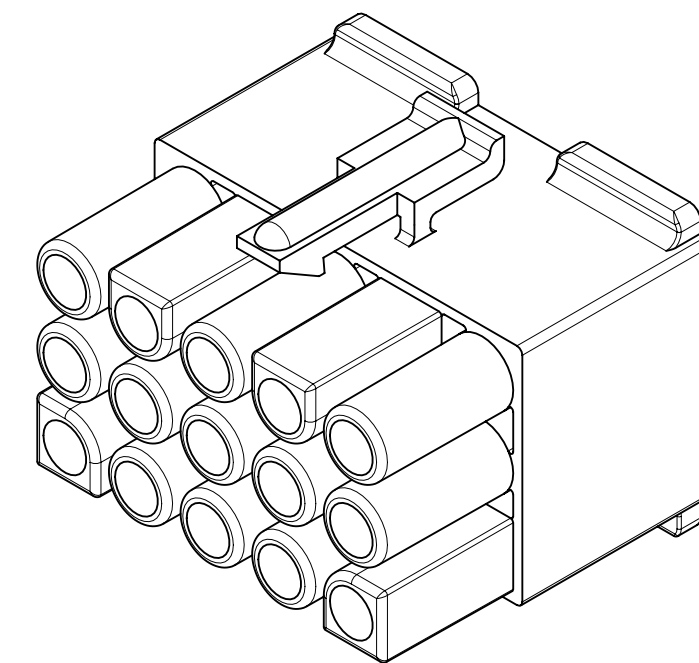
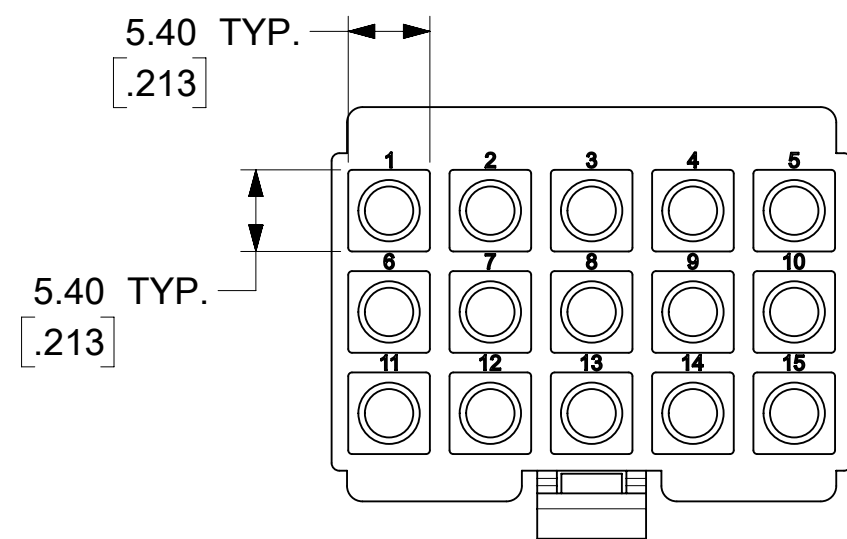


PLUG

FUNCTIONAL SYMBOLS	THIS DRAWING CONTAINS INFORMATION THAT IS PROPRIETARY TO MOLEX ELECTRONIC TECHNOLOGIES, LLC AND SHOULD NOT BE USED WITHOUT WRITTEN PERMISSION												
	DIMENSION UNITS		SCALE		CURRENT REV DESC: OBSOLETE PART NUMBER AS PER PCN#509988								
= 0		MM/INCH	2:1										
= 0		GENERAL TOLERANCES (UNLESS SPECIFIED)								EC NO: 704776 DRWN: SUGEEB 2022/03/29 CHK'D: GGA 2022/05/24 APPR: GGA 2022/05/24			
= 0													
DIVISIONAL SYMBOLS	4 PLACES		±	±									
	3 PLACES		±	± 0.01									
	2 PLACES		± 0.25	± 0.014									
	1 PLACE		± 0.36	±									
0 PLACES		±	±	INITIAL REVISION:									
ANGULAR TOL		± °											
DRAFT WHERE APPLICABLE MUST REMAIN WITHIN DIMENSIONS		THIRD ANGLE PROJECTION		DRAWING		SERIES		MATERIAL NUMBER		CUSTOMER		SHEET NUMBER	
				C-SIZE		3191		SEE CHART		GENERAL MARKET		1 OF 3	

DOCUMENT NUMBER				DOC TYPE	DOC PART	REVISION
31911500-SD				PSD	000	A1



CIRCUIT IDENTIFICATION
RIBS LOCATED AS
SHOWN.

RECEPTACLE

FUNCTIONAL SYMBOLS	THIS DRAWING CONTAINS INFORMATION THAT IS PROPRIETARY TO MOLEX ELECTRONIC TECHNOLOGIES, LLC AND SHOULD NOT BE USED WITHOUT WRITTEN PERMISSION										
	DIMENSION UNITS	SCALE		CURRENT REV DESC: OBSOLETE PART NUMBER AS PER PCN#509988							
$\frac{F}{A} = 0$	MM/INCH	2:1									
$\frac{F}{C} = 0$	GENERAL TOLERANCES (UNLESS SPECIFIED)										
$\frac{F}{P} = 0$		MM	INCH								
DIVISIONAL SYMBOLS	4 PLACES	±	±	EC NO: 704776							
	3 PLACES	±	± 0.01	DRWN: SUGEEB 2022/03/29							
	2 PLACES	± 0.25	± 0.014	CHK'D: GGA 2022/05/24							
	1 PLACE	± 0.36	±	APPR: GGA 2022/05/24							
	0 PLACES	±	±	INITIAL REVISION:							
	ANGULAR TOL	± °	°	DRWN: AELHAG 2012/03/28							
	DRAFT WHERE APPLICABLE MUST REMAIN WITHIN DIMENSIONS	THIRD ANGLE PROJECTION		DRAWING		SERIES		MATERIAL NUMBER		CUSTOMER	SHEET NUMBER
				C-SIZE		3191		SEE CHART		GENERAL MARKET	2 OF 3

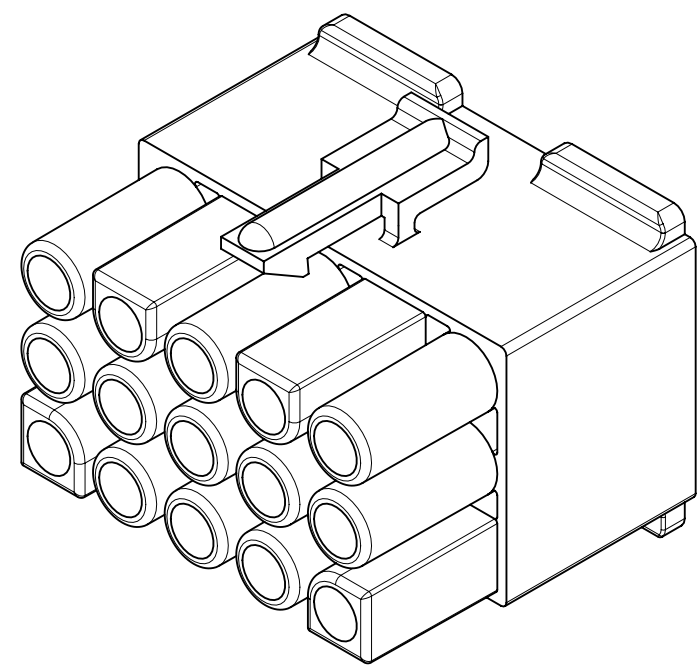
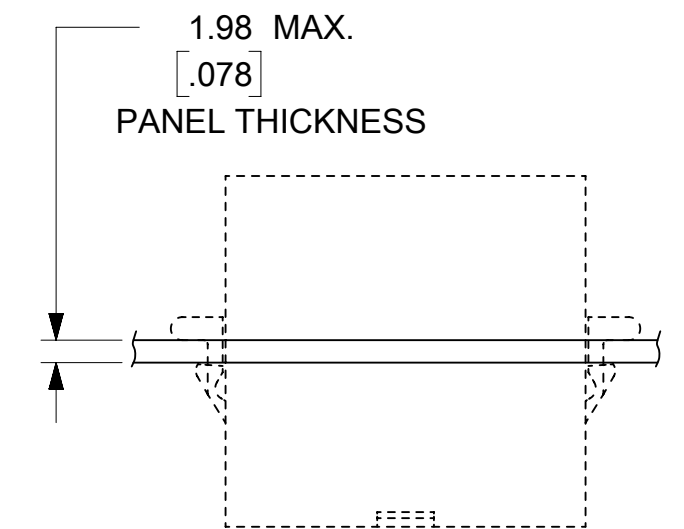
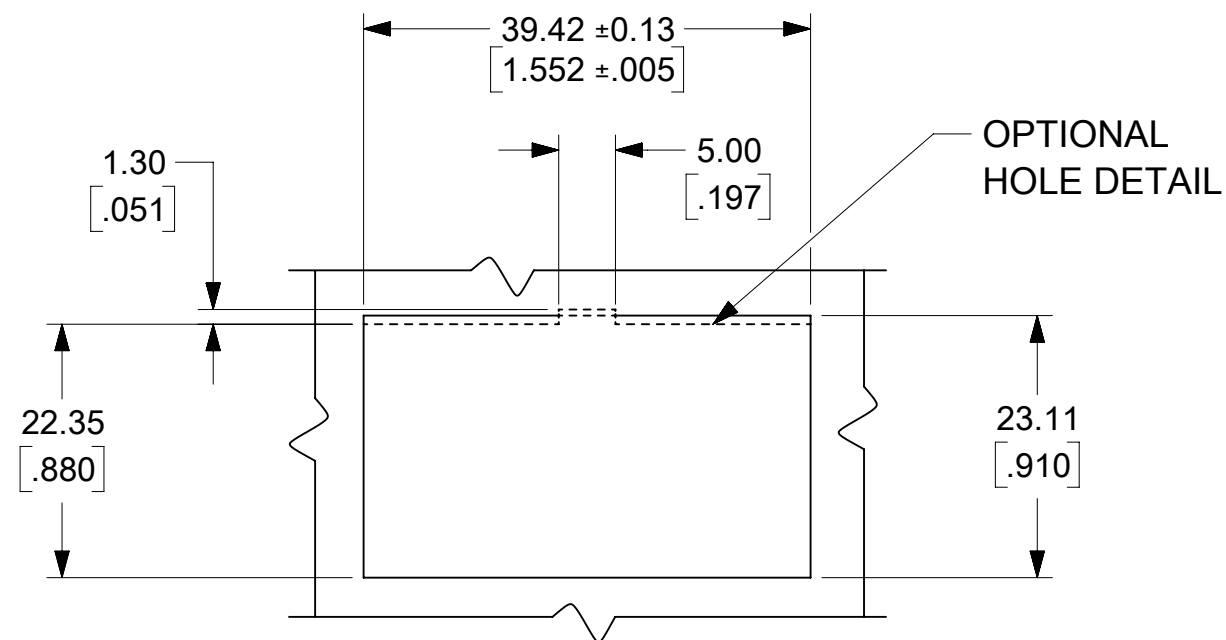
PRODUCT CUSTOMER DRAWING			
DOCUMENT NUMBER	DOC TYPE	DOC PART	REVISION
31911500-SD	PSD	000	A1

RECEPTACLE

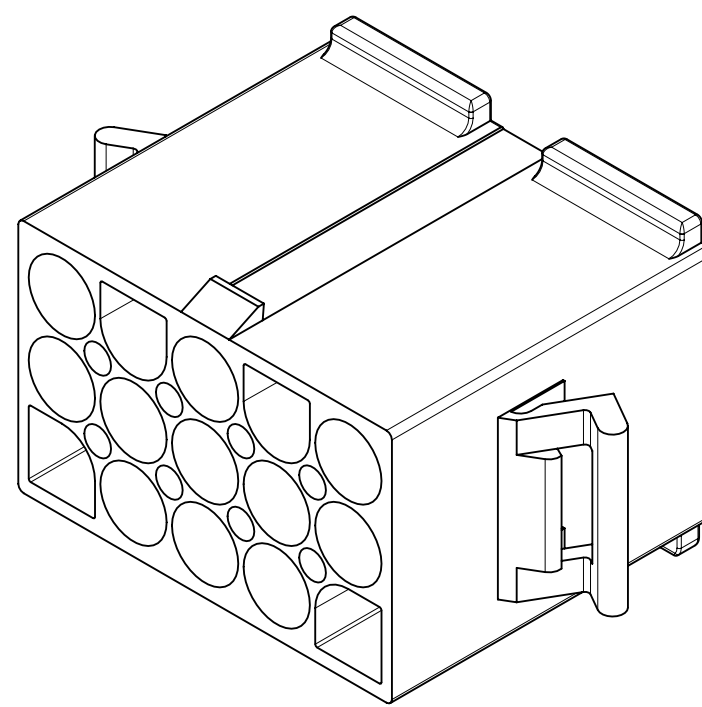
PART NO.	ENG. NO.	MATERIAL	COLOR
19-09-1159	3191-15R1	UL94V-2	NATURAL

PLUG

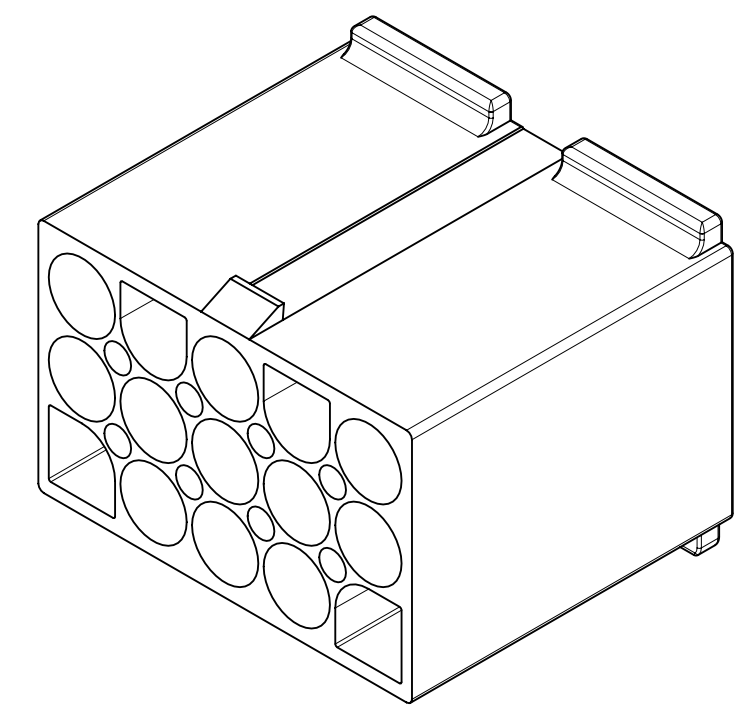
PART NO.	ENG. NO.	MOUNTING EARS	MATERIAL	COLOR
19-09-2158	3191-15P	YES	UL94V-2	NATURAL
19-09-2159	3191-15P1	NO	UL94V-2	NATURAL
19-09-2157	3191-15P-201	YES	UL94V-0	IVORY



RECEPTACLE HOUSING



PLUG PREBENT EARS



PLUG NO EARS

NOTES:

1. MATERIAL: NYLON 6/6, SEE CHART FOR UL94 RATING AND COLOR
2. FINISH: N/A
3. PRODUCT SPECIFICATION: PS-02-09
4. PACKAGING SPECIFICATION: 31910002-PK
5. THIS HOUSING FOR USE WITH MOLEX .093/(2.36) DIA. TERMINALS.
6. PARTS CONFORM TO CLASS B REQUIREMENTS OF COSMETIC SPECIFICATION PS-45499-002.
7. TEXT ON PART IS FOR REFERENCE ONLY. TEXT AND TEXT LOCATION MAY VARY DEPENDING ON PART NUMBER AND/OR TOOL.
8. THIS DRAWING REPLACES SD-3191-15R1*-* AND SD-3191-15P*-*.

FUNCTIONAL SYMBOLS FA = 0 FC = 0 FP = 0	THIS DRAWING CONTAINS INFORMATION THAT IS PROPRIETARY TO MOLEX ELECTRONIC TECHNOLOGIES, LLC AND SHOULD NOT BE USED WITHOUT WRITTEN PERMISSION			
	DIMENSION UNITS MM/INCH		SCALE 1:1	
	CURRENT REV DESC: OBSOLETE PART NUMBER AS PER PCN#509988			
	GENERAL TOLERANCES (UNLESS SPECIFIED)			
DIVISIONAL SYMBOLS	MM		INCH	
	4 PLACES	±	±	
	3 PLACES	±	±	0.01
	2 PLACES	±	±	0.014
1 PLACE	±	±	0.36	
0 PLACES	±	±		
ANGULAR TOL		±	°	
DRAFT WHERE APPLICABLE MUST REMAIN WITHIN DIMENSIONS		THIRD ANGLE PROJECTION		

EC NO: 704776		2022/03/29	
DRWN: SUGEEB		2022/05/24	
CHK'D: GGA		2022/05/24	
APPR: GGA		2022/05/24	
INITIAL REVISION:			
DRWN: AELHAG		2012/03/28	
APPR: FSMITH		2012/04/25	

DOCUMENT NUMBER				DOC TYPE	DOC PART	REVISION
31911500-SD				PSD	000	A1
MATERIAL NUMBER		CUSTOMER		SHEET NUMBER		
SEE CHART		GENERAL MARKET		3 OF 3		

molex

.093/(2.36) HOUSING, PLUG AND RECEPTACLE, 15 CKT .264/(6.70) CTRS.

PRODUCT CUSTOMER DRAWING