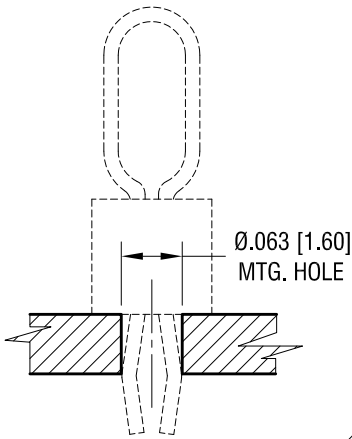
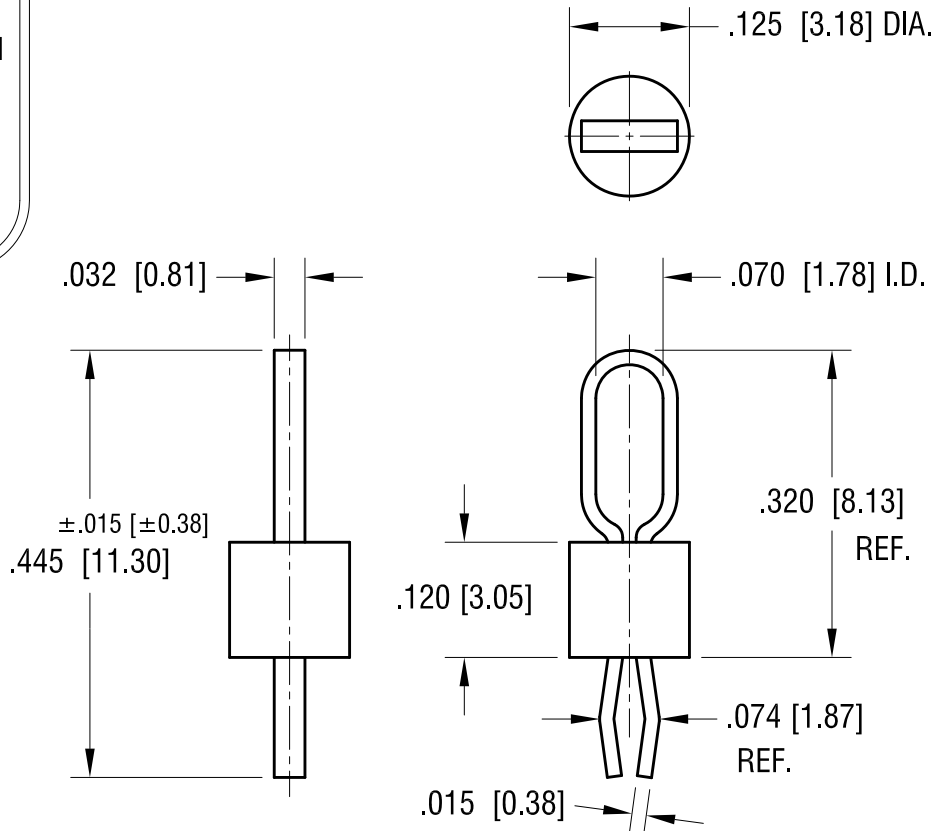


THIS DOCUMENT IS THE PROPERTY OF
KEYSTONE ELECTRONICS CORP. AND
SHALL NOT BE REPRODUCED, DISTRIBUTED
OR USED AS A BASIS FOR MANUFACTURE
WITHOUT PRIOR WRITTEN PERMISSION
FROM KEYSTONE ELECTRONICS CORP.

MTG. DETAIL



ACTUAL SIZE



NOTES:

1. TERMINAL:
MAT'L - PHOSPHOR BRONZE WIRE
2. BASE:
MAT'L - HEAT RESISTANT NYLON 46
3. MTG HOLE: .063 [1.60]

PART NO.	BASE COLOR
5125	BROWN
5126	GREEN
5127	BLUE
5128	GREY
5129	PURPLE

DATE	DESCRIPTION	REV.
12.30.13	CHANGE AS PER ECN 13-123	D
1.31.13	CHANGE AS PER ECN 13-014	C
1.29.13	CHANGE AS PER ECN 13-009	B
12.14.10	CHANGE AS PER ECN 10-086	A

KEYSTONE ELECTRONICS CORP.
 www.keyelco.com • NEW HYDE PARK NY 11040 • Tel (516)328-7500

PART NAME: **PC TEST POINT - MULTIPURPOSE**

MATERIAL: **AS NOTED**

FINISH: SILVER PLATE	DRN BY: NT	DATE: 4.22.08
	APP'D: RH	SCALE: 5X

TOLERANCES INCH [MM]
 DECIMAL ± .005 [± 0.13]
 ANGULAR ± 1°
 UNLESS OTHERWISE SPECIFIED

CODE: **C**

DWG NO.: **5125-5129**