

# FSUSB242 Type-C USB Port Protection Switch

## FSUSB242UCX-Z002

### Features

- Fully USB Data Port Protection
- $V_{DD} 0\text{ V} - 5.5\text{ V}$  (12 V DC tolerant)
- $-18\text{ V}$  to  $+20\text{ V}$  DC Tolerance on  $HSD\pm$  Port
- $\pm 25\text{ V}$  IEC 61000-4-5 Surge Protection w/o External TVS
- $V_{DD}$  Operating Range, 2.7 V-5.5 V
- HSD RON: 5  $\Omega$  Typical
- $C_{ON} = 5\text{ pF}$  Typical
- Wide -3 dB Bandwidth: > 720 MHz
- Low Power Operation:  $I_{CC} < 10\text{ }\mu\text{A}$  (Typical)
- Over Voltage Protection: 3.6 V & 4.5 V

### Typical Applications

- Smartphones
- Tablets
- Laptops

### Safety Mechanisms Highlight

- 3.6 V & 4.5 V OVP Trip Point
- $\pm 25\text{ V}$  Surge Protection without Need for External TVS

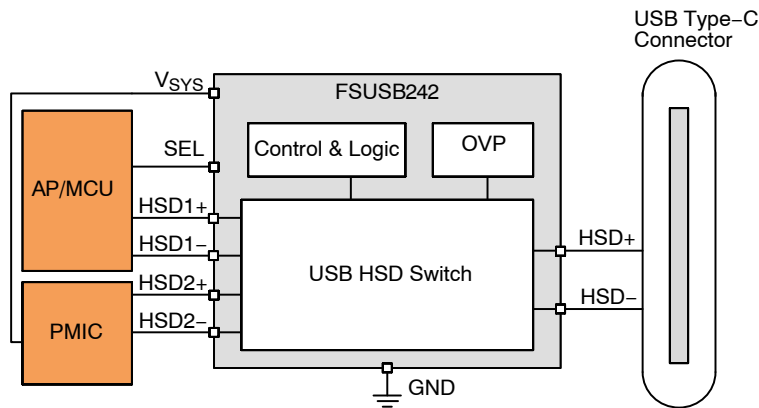
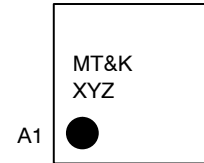


Figure 1. Application Schematic



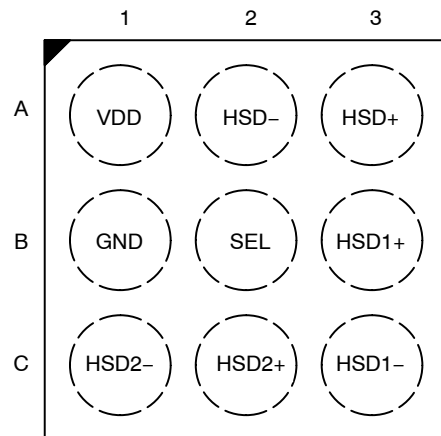
WLCSP9 1.20 x 1.20  
CASE 567UL

### MARKING DIAGRAM



MT = Specific Device Code  
&K = 2 Digit Lot Run Code  
X = Year  
Y = 2 Week Data Code  
Z = Plant Code

### PIN CONNECTION

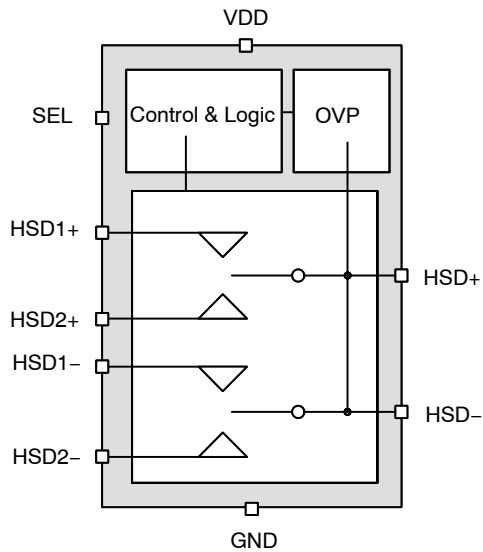


TOP Through View

### ORDERING INFORMATION

See detailed ordering and shipping information on page 11 of this data sheet.

# FSUSB242UCX-Z002



**Figure 2. Simplified Block Diagram**

**Table 1. PIN FUNCTION DESCRIPTION**

CSP Bump	Name	Type	Description
A1	VDD	Power	Supply Power
B1	GND	Ground	Ground
A3	HSD+	Data	Common High Speed Data Bus
A2	HSD-	Data	Common High Speed Data Bus
B3	HSD1+	Data	Multiplexed High Speed Data Port 1
C3	HSD1-	Data	Multiplexed High Speed Data Port 1
C2	HSD2+	Data	Multiplexed High Speed Data Port 2
C1	HSD2-	Data	Multiplexed High Speed Data Port 2
B2	SEL	I/O	Tri-Input HSD Switch Select & /OE

**Table 2. SWITCH TRUTH TABLE CONFIGURATION**

VDD	SEL	Switch Configuration
UVLO	X	Switch off High impedance
Valid	0	HSD+ = HSD1+, HSD- = HSD1-
Valid	1	HSD+ = HSD2+, HSD- = HSD2-
Valid	Float/High-Z	Switch Disable High impedance

**APPLICATION INFORMATION**

**Over Voltage Protection**

Over voltage protection turns the switch off if the inputs HSD+/HSD- rise above the over voltage trip threshold.

**Under Voltage Lockout**

The under-voltage lockout on V<sub>DD</sub> pin turns the switch off if the V<sub>DD</sub> voltage drops below the lockout threshold. With the SELpin active, the input voltage rising above the UVLO threshold releases the lockout and enables the switch.

**Tri-State Input Control Pin (SEL)**

The SEL pin can be tri-stated to disable the switch to save power, there are a few ways to achieve this. If the SEL pin is controlled by GPIO in the system, if the GPIO pin has a High-Z state where the impedance of the High-Z state is

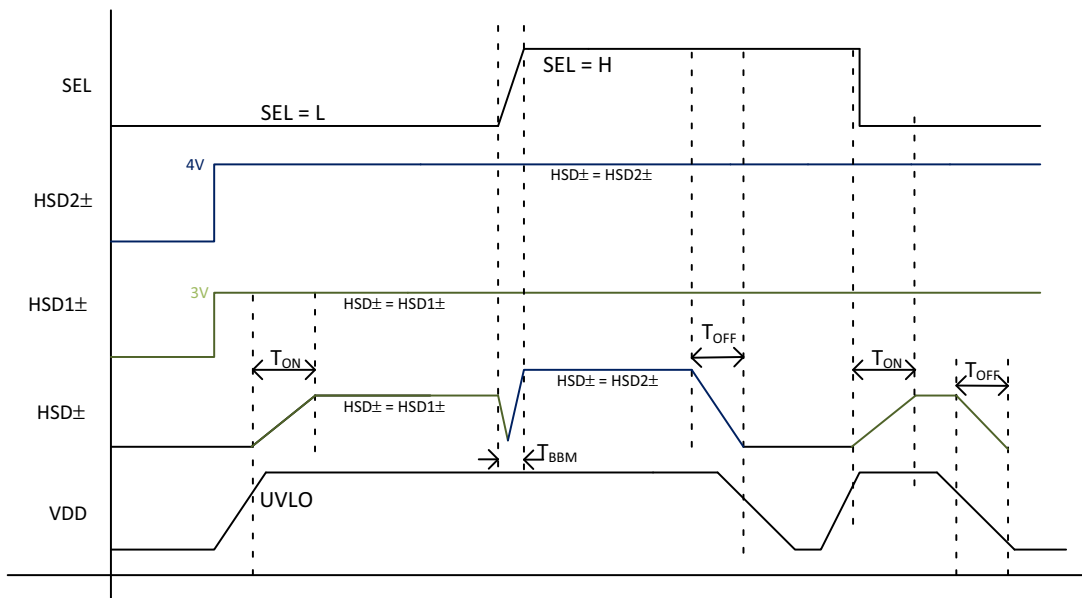
larger than 2.5 MΩ the switch will recognize the High-Z state and disable the switch. If the system does not have GPIO that supports High-Z state, the user can utilize 2 MOSFETs or a Logic Device to achieve the same result.

*For GPIO*

The SEL pin function below:

- If the input is pulled up with less than 50 kΩ it will be considered as Logic High
- If the input is pulled down with less than 50 kΩ it will be consider as Logic Low
- If the input is pulled up or down with more than 2.5 MΩ it will be consider as float/High-Z

**System Timing Diagram**



**Figure 3. System Timing Plot**

# FSUSB242UCX-Z002

## System Block Diagrams

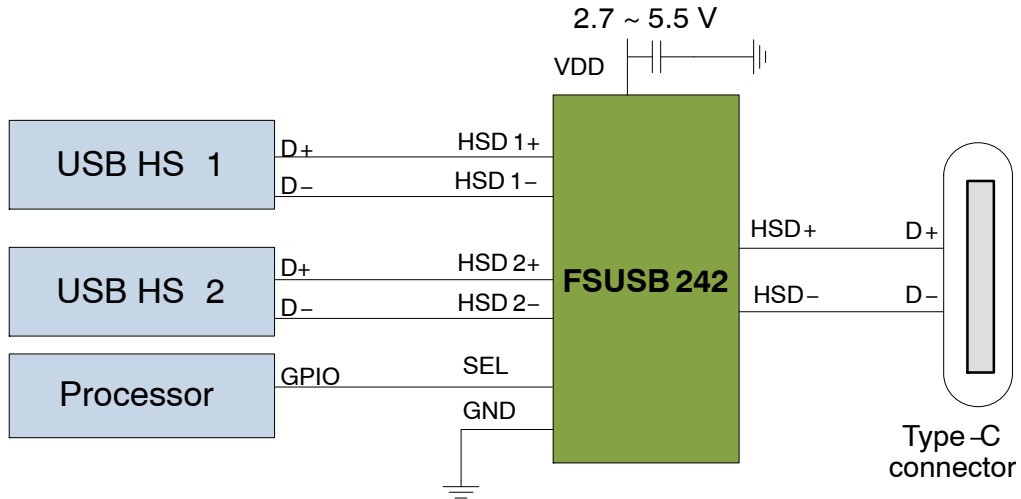


Figure 4. Application of 2x USB HS interface

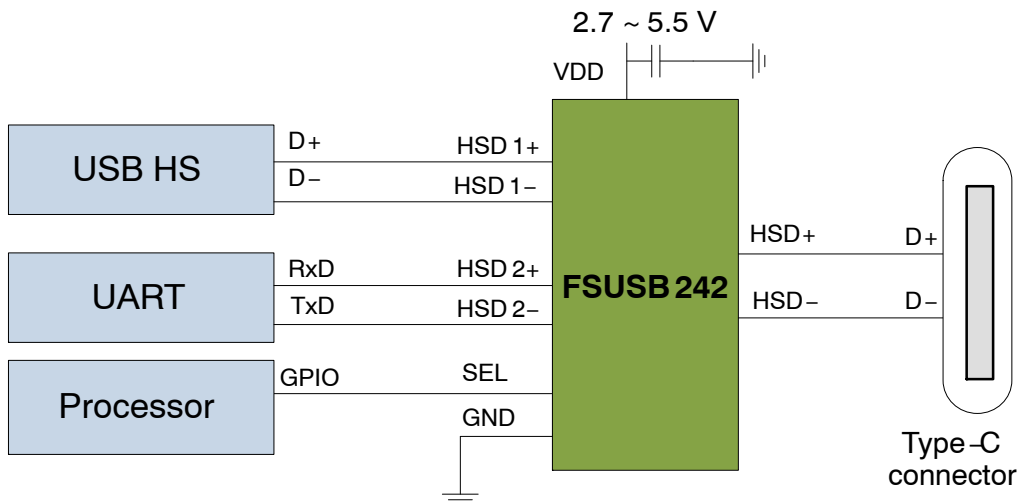


Figure 5. Application of UART and USB HS interface

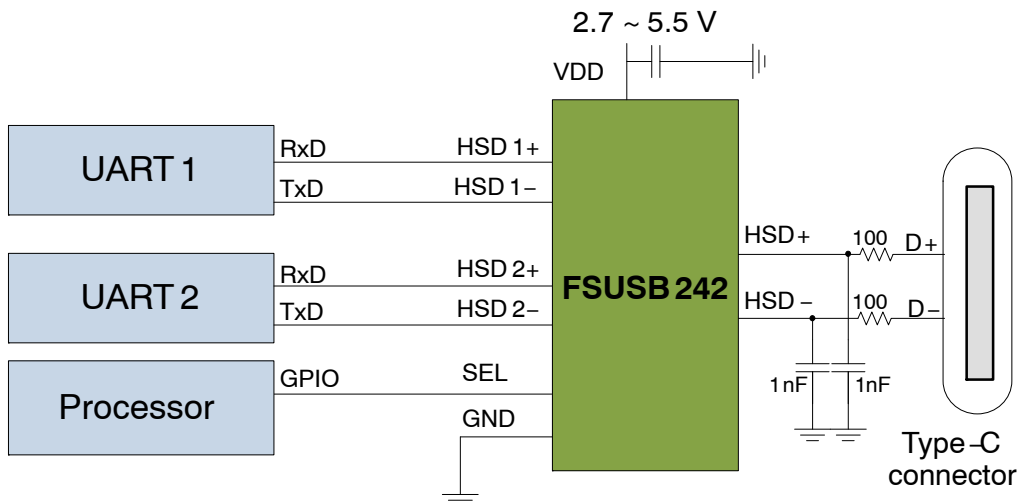


Figure 6. Application of 2x UART interface

When 2x UART signals are switched over FSUSB242, both 100 ohm series resistor and 1 nF bypass capacitors are recommended in the common switch path as above. If FSUSB242 is used to switch USB and UART signals, connect UART signals to HSD1.

# FSUSB242UCX-Z002

## USB High Speed Eye Diagram

$V_{DD} = 5.5\text{ V}$  HSD to HSD1 Path

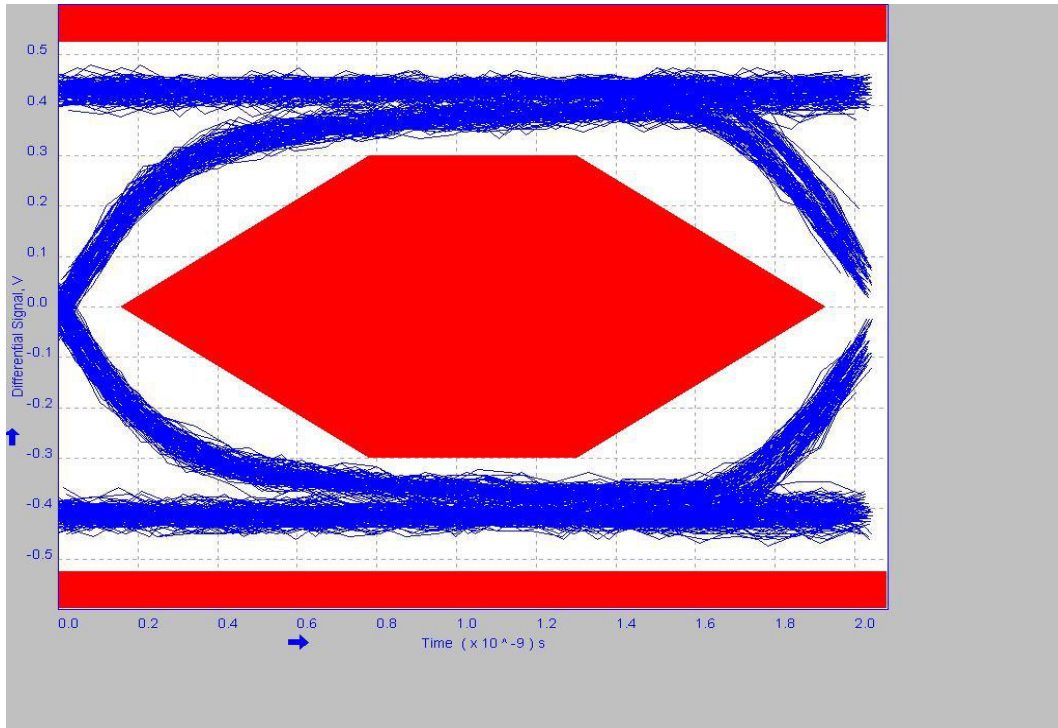


Figure 7. HS USB Eye @  $V_{DD} = 5\text{ V}$

$V_{DD} = 2.7\text{ V}$  HSD to HSD2 Path

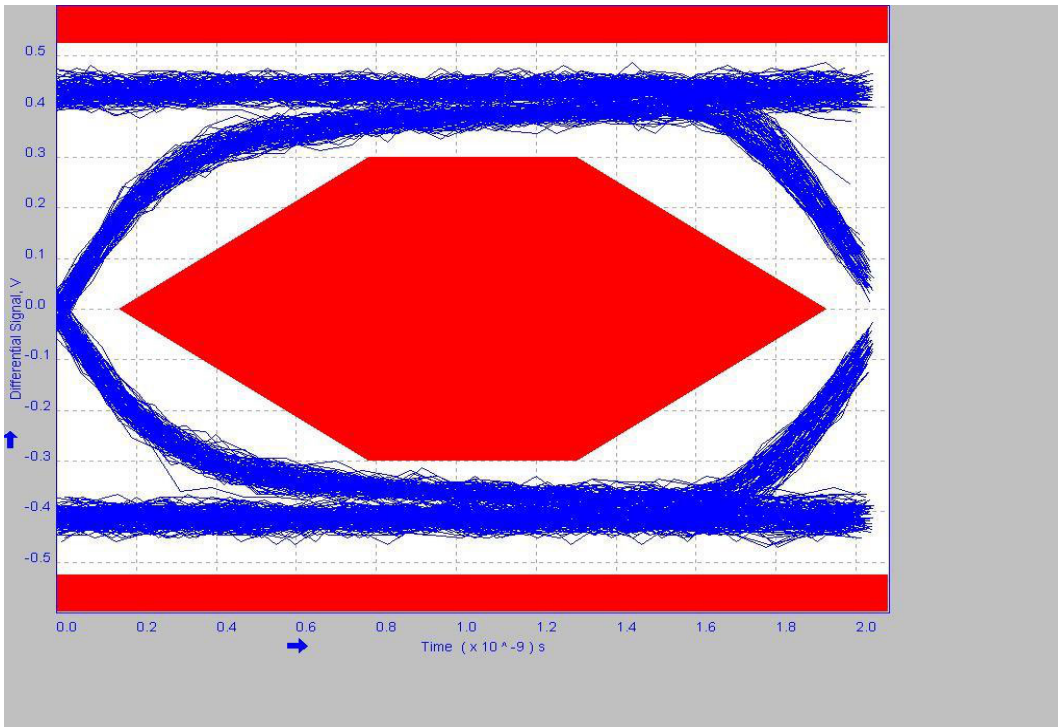


Figure 8. HS USB Eye @  $V_{DD} = 2.7\text{ V}$

# FSUSB242UCX-Z002

**Table 3. ABSOLUTE MAXIMUM RATINGS**

Symbol	Parameter	Min	Max	Unit	
V <sub>DD</sub>	Supply Voltage from V <sub>DD</sub>	-0.5	12.0	V	
V <sub>SW</sub>	DC Input voltage tolerance for HSD±, to GND	-18	20	V	
	DC Input voltage tolerance for HSD1±, HSD2± to GND	-1.2	6	V	
V <sub>CONTROL</sub>	DC Input Voltage (SEL)	-0.5	6	V	
I <sub>SW</sub>	DC HSD Switch Current		100	mA	
I <sub>IK</sub>	DC Input Diode Current	-50		mA	
T <sub>STORAGE</sub>	Storage Temperature Range	-65	+150	°C	
T <sub>J</sub>	Maximum Junction Temperature		+150	°C	
T <sub>L</sub>	Lead Temperature (Soldering, 10 seconds)		+260	°C	
ESD	Human Body Model, JEDEC JESD22-A114	Power to GND	2		kV
		Internal Pin to GND (HSD1±, HSD2±)	2		
		External Pin to GND (HSD±)	14		
	Charged Device Model, JEDEC LESD22-C101	All Pins	1		
		IEC 61000-4-5 Surge Protection	HSD±, to GND	±25	
	V <sub>DD</sub> to GND		+12		V

Stresses exceeding those listed in the Maximum Ratings table may damage the device. If any of these limits are exceeded, device functionality should not be assumed, damage may occur and reliability may be affected.

**Table 4. RECOMMENDED OPERATING CONDITIONS**

Symbol	Parameter	Min	Typ	Max	Unit
V <sub>DD</sub>	Supply Voltage	2.7	4.2	5.5	V
V <sub>SW1</sub>	HSD1 Switch I/O Signal Swing Voltage (Note 1)	-0.5		3.6	V
V <sub>SW2</sub>	HSD2 Switch I/O Signal Swing Voltage (Note 1)	-0.5		4.5	V
I <sub>CCSW</sub>	Maximum HSD Switch Continuous Current			75	mA
V <sub>CNTRL</sub>	Control Input Voltage (SEL)	-0.5		V <sub>DD</sub>	V
T <sub>A</sub>	Operating Temperature	-40		+85	°C

Functional operation above the stresses listed in the Recommended Operating Ranges is not implied. Extended exposure to stresses beyond the Recommended Operating Ranges limits may affect device reliability.

- The switch swing voltage is based on the OVP trip level, and when OVP triggers the switch will be disabled to protect the host and no longer in the standard operating condition, once over voltage is removed the device will automatically recover back to normal condition.

**Table 5. DC ELECTRICAL CHARACTERISTICS**

(Unless otherwise specified: Recommended T<sub>A</sub> and T<sub>J</sub> temperature ranges. All typical values are at T<sub>A</sub> = 25°C and V<sub>DD</sub> = 4.2 V unless otherwise specified.)

Symbol	Characteristic	V <sub>DD</sub> (V)	Conditions	T <sub>A</sub> = -40 to +85°C T <sub>J</sub> = -40 to +125°C			Unit
				Min	Typ	Max	

**BASIC OPERATION DEVICE**

I <sub>CC</sub>	Quiescent Supply Current	2.7 to 5.5	WLCSP: /OE = H & L, I <sub>OUT</sub> = 0		10		μA
I <sub>OFF</sub>	Power-Off Leakage Current	0	V <sub>SWHSD1</sub> = 0 V to 3.6 V, V <sub>SWHSD2</sub> = 0 V to 4.5 V	-3		3	μA
I <sub>IN</sub>	Control Input Leakage	2.7 to 5.5	V <sub>CNTRL</sub> = 0 V to V <sub>DD</sub>	-2		4	μA
I <sub>OZ</sub>	Off State Leakage	2.7 to 5.5	HSD± ≥ 0 V, HSD1±, HSD2± ≤ 3.6 V	-3		5	μA

# FSUSB242UCX-Z002

**Table 5. DC ELECTRICAL CHARACTERISTICS** (continued)

(Unless otherwise specified: Recommended  $T_A$  and  $T_J$  temperature ranges. All typical values are at  $T_A = 25^\circ\text{C}$  and  $V_{DD} = 4.2\text{ V}$  unless otherwise specified.)

Symbol	Characteristic	$V_{DD}$ (V)	Conditions	$T_A = -40\text{ to }+85^\circ\text{C}$ $T_J = -40\text{ to }+125^\circ\text{C}$			Unit
				Min	Typ	Max	
<b>BASIC OPERATION HSD SWITCH</b>							
$R_{ON}$	HSD Path On Resistance	2.7 to 5.5	$I_{OUT} = 8\text{ mA}$ , $V_{SW} = 0\text{ V to }0.4\text{ V}$		5		$\Omega$
$\Delta R_{ON}$	HSD Path Delta $R_{ON}$	2.7 to 5.5	$I_{OUT} = 8\text{ mA}$ , $V_{SW} = 0\text{ V to }0.4\text{ V}$		0.15		$\Omega$
$V_{IH}$	SEL Input Voltage High	2.7 to 5.5		1.3			V
$V_{IM}$	SEL Input Voltage Middle (Note 2)	2.7 to 5.5		0.8		1.0	V
$V_{IL}$	SEL Input Voltage Low	2.7 to 5.5				0.5	V
Zfloat	Impedance to VDD or GND detected as a Float including $V_{DD} = 0$	2.7 to 5.5		2.5			$M\Omega$
$V_{OV\_TRIP1}$	Input OVP Lockout for HSD1	2.7 to 5.5	$V_{HSD\pm}$ Rising, SEL = 0	3.6	3.8	4	V
			$V_{HSD\pm}$ Falling, SEL = 0	3.3	3.5		
$V_{OV\_TRIP2}$	Input OVP Lockout for HSD2	2.7 to 5.5	$V_{HSD\pm}$ Rising, SEL = 1	4.5	4.7	4.9	V
			$V_{HSD\pm}$ Falling, SEL = 1	4.2	4.4		
$V_{OV\_HYS}$	Input OVP Hysteresis	2.7 to 5.5			0.3		V
$V_{NV\_TRIP}$	Input Negative Voltage Lockout	2.7 to 5.5	$V_{HSD\pm}$ Falling		-1.0		V
			$V_{HSD\pm}$ Rising		-0.7		
$V_{NV\_HYS}$	Input OVP Hysteresis	2.7 to 5.5			0.3		V
$V_{CL}$	Clamping Voltage	2.7 to 5.5	$V_{HSD\pm} \geq V_{OV\_TRIP}$		4.5		V
$V_{UVLO}$	Under-Voltage Lockout		$V_{DD}$ Rising		2.4	2.7	V
			$V_{DD}$ Falling		2.3		
TSD	Thermal Shutdown (Note 2)		Shutdown Threshold		150		$^\circ\text{C}$
			Return from Shutdown		130		
			Hysteresis		20		

Product parametric performance is indicated in the Electrical Characteristics for the listed test conditions, unless otherwise noted. Product performance may not be indicated by the Electrical Characteristics if operated under different conditions.

2. Guaranteed by characterization or Design, not production tested.

# FSUSB242UCX-Z002

**Table 6. AC ELECTRICAL CHARACTERISTICS**

(Unless otherwise specified: Recommended  $T_A$  and  $T_J$  temperature ranges. All typical values are at  $T_A = 25^\circ\text{C}$  and  $V_{DD} = 4.2\text{ V}$  unless otherwise specified.)

Symbol	Characteristic	$V_{DD}$ (V)	Conditions	$T_A = -40$ to $+85^\circ\text{C}$ $T_J = -40$ to $+125^\circ\text{C}$			Unit
				Min	Typ	Max	
<b>HSD SWITCH TIMING PARAMETER</b>							
$t_{OVP}$	OVP Response Time (Note 33)	2.7 to 5.5	$I_{OUT} = 8\text{ mA}$ , $C_L = 5\text{ pF}$ , $R_L = 50\ \Omega$ , $V_{HSD\pm} = 3.3\text{ V}$ to $4.9\text{ V}$		0.35		$\mu\text{s}$
$t_{ON}$	Turn-On Time, SEL to Output	2.7 to 5.5	$R_L = 50\ \Omega$ , $C_L = 5\text{ pF}$		0.1		ms
$t_{OFF}$	Turn-Off Time, SEL to Output	2.7 to 5.5	$R_L = 50\ \Omega$ , $C_L = 5\text{ pF}$ , $V_{SW} = 0.8\text{ V}$		0.2		$\mu\text{s}$
$t_{PD}$	Propagation Delay (Note 3)	2.7 to 5.5	$R_L = 50\ \Omega$ , $C_L = 5\text{ pF}$ , $V_{SW} = 0.8\text{ V}$		1.3		ns
$t_{BBM}$	Break-Before-Make (Note 3)	2.7 to 5.5	$R_L = 50\ \Omega$ , $C_L = 5\text{ pF}$ , $V_{SW1} = V_{SW2} = 0.8\text{ V}$		50		$\mu\text{s}$
$t_{SK(P)}$	Skew of Opposite Transitions of the Same Output (Note 3)	2.7 to 5.5	$V_{SW} = 0.2\text{ Vdiff}_{PP}$ , $R_L = 50\ \Omega$ , $C_L = 5\text{ pF}$		35		ps
$t_J$	Total Jitter (Note 3)	2.7 to 5.5	$V_{SW} = 0.2\text{ Vdiff}_{PP}$ , $R_L = 50\ \Omega$ , $C_L = 5\text{ pF}$ , $t_R = t_F = 500\text{ ps}$ (10-90%) @ 480 Mbps (PRBS = $2^{15} - 1$ )		250		ps

**HSD± SWITCH CAPACITANCE**

$C_{IN}$	Control Pin Input Capacitance (Note 3)	0			1.5		pF
$C_{ON}$	HSD± On Capacitance (Note 3)	2.7 to 5.5	SEL = L/H, $f = 240\text{ MHz}$		4		
$C_{OFF}$	HSD± Off Capacitance (Note 3)	2.7 to 5.5	SEL = Float, $f = 240\text{ MHz}$		3		

**HSD SWITCH BANDWIDTH**

BW	-3dB SDD21 Bandwidth (Note 3)	2.7 to 5.5	$R_L = 50\ \Omega$ , $C_L = 0\text{ pF}$		1000		MHz
			$R_L = 50\ \Omega$ , $C_L = 5\text{ pF}$		550		MHz

**HSD SWITCH AC PARAMETER**

$O_{IRR}$	Off Isolation (Note 3)	2.7 to 5.5	$R_L = 50\ \Omega$ , $f = 240\text{ MHz}$		-35		dB
Xtalk	Non-Adjacent Channel Crosstalk (Note 3)	2.7 to 5.5	$R_L = 50\ \Omega$ , $f = 240\text{ MHz}$		-40		dB

Product parametric performance is indicated in the Electrical Characteristics for the listed test conditions, unless otherwise noted. Product performance may not be indicated by the Electrical Characteristics if operated under different conditions.

3. Guaranteed by characterization or Design, not production tested.



TEST DIAGRAMS

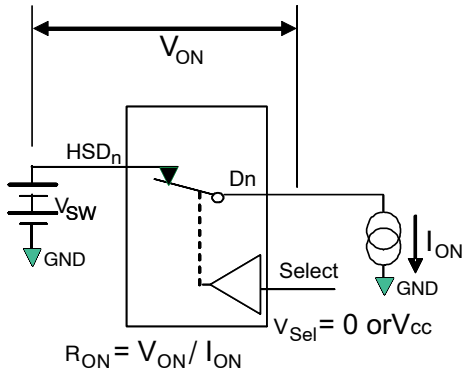
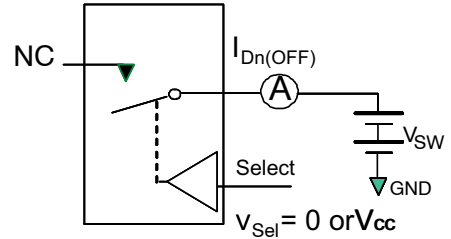
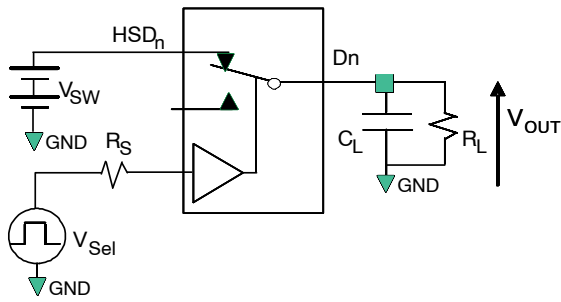


Figure 9. On Resistance



\*\*Each switch port is tested separately

Figure 10. Off Leakage



$R_L$ ,  $R_S$ , and  $C_L$  are functions of the application environment (see AC Tables for specific values)  
 $C_L$  includes test fixture and stray capacitance.

Figure 11. AC Test Circuit Load

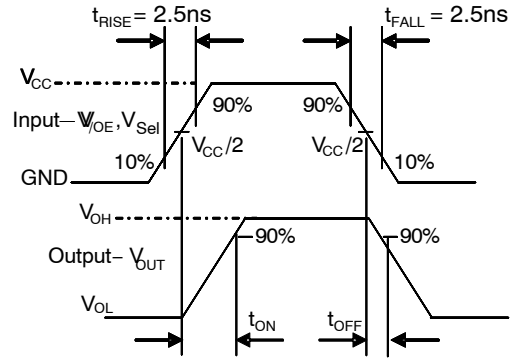


Figure 12. Turn-On / Turn-Off Waveforms

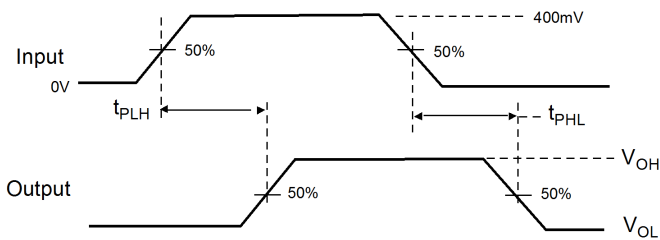


Figure 13. Propagation Delay ( $t_{RT}$  - 500 ps)

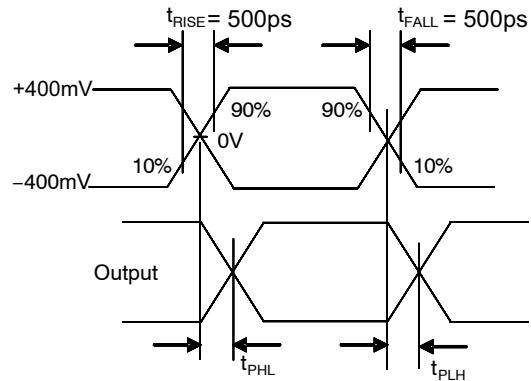


Figure 14. Intra-Pair Skew Test  $t_{SK(P)}$

TEST DIAGRAMS (Continued)

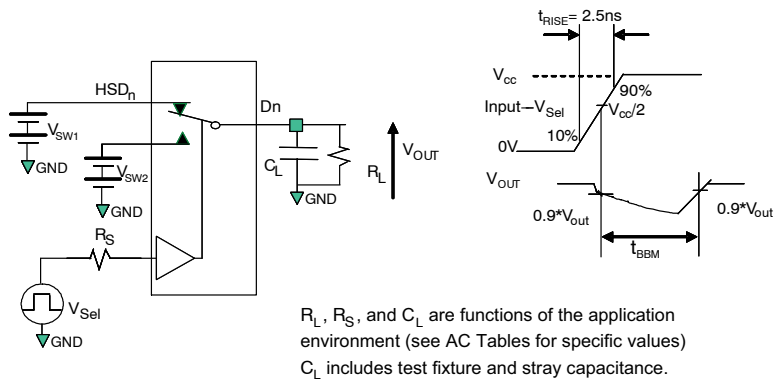


Figure 15. Break-Before-Make Interval Timing

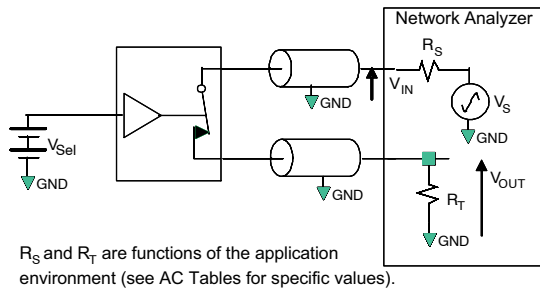


Figure 16. Bandwidth

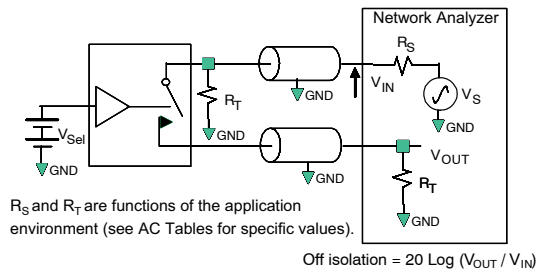


Figure 17. Channel Off Isolation

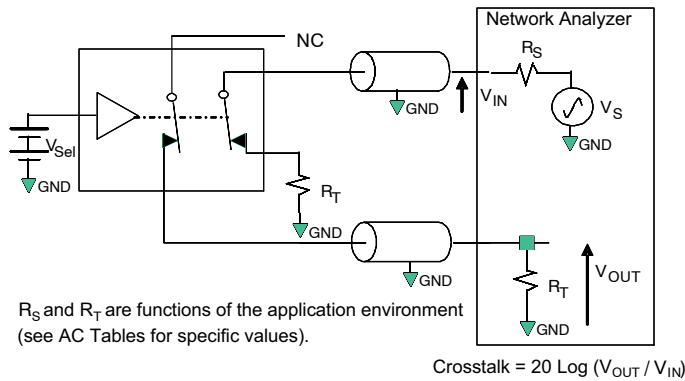


Figure 18. Non-Adjacent Channel-to-Channel Crosstalk

TEST DIAGRAMS (Continued)

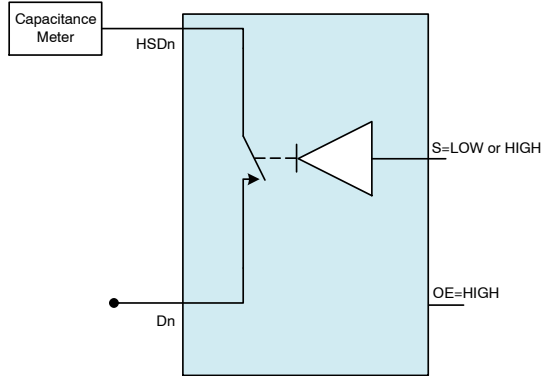


Figure 19. Channel Off Capacitance

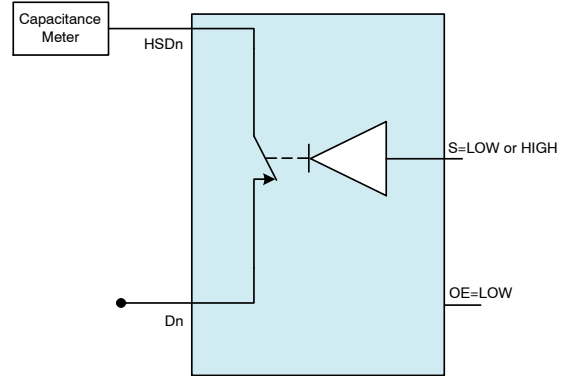


Figure 20. Channel On Capacitance

ORDERING INFORMATION

Table 7. AVAILABLE PART NUMBERS

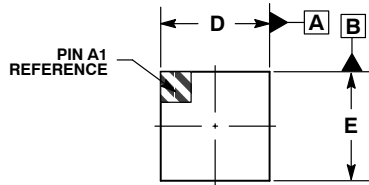
Part Number	Device Code	Operating Temperature Range	Package	Packing Method†
FSUSB242UCX-Z002	MT	-40 to 85°C	9-Ball WLCSP (1.20 x 1.20 mm)	Tape and Reel

†For information on tape and reel specifications, including part orientation and tape sizes, please refer to our Tape and Reel Packaging Specification Brochure, BRD8011/D.

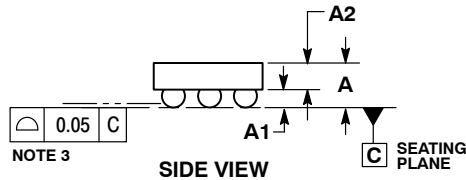
# FSUSB242UCX-Z002

## PACKAGE DIMENSIONS

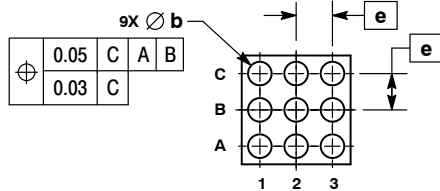
WLCSP9, 1.2x1.2x0.48  
CASE 567UL  
ISSUE A



TOP VIEW



SIDE VIEW



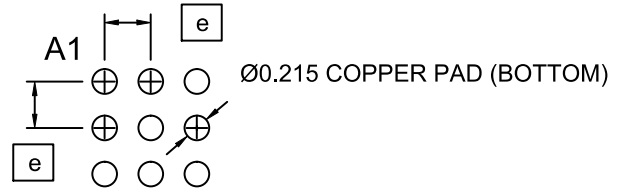
BOTTOM VIEW

NOTES:

1. DIMENSIONING AND TOLERANCING PER ASME Y14.5M, 2009.
2. CONTROLLING DIMENSION: MILLIMETERS.
3. COPLANARITY APPLIES TO THE SPHERICAL CROWNS OF THE SOLDER BALLS.

DIM	MILLIMETERS		
	MIN	NOM	MAX
A	0.450	0.488	0.526
A1	0.176	0.196	0.216
A2	0.274	0.292	0.310
b	0.24	0.26	0.28
D	1.14	1.20	1.26
E	1.14	1.20	1.26
e	0.40 BSC		

### RECOMMENDED SOLDERING FOOTPRINT\* (NSMD PAD TYPE)



DIMENSIONS: MILLIMETERS

\*For additional information on our Pb-Free strategy and soldering details, please download the **onsemi** Soldering and Mounting Techniques Reference Manual, SOLDERRM/D.

**onsemi**, **Onsemi**, and other names, marks, and brands are registered and/or common law trademarks of Semiconductor Components Industries, LLC dba "**onsemi**" or its affiliates and/or subsidiaries in the United States and/or other countries. **onsemi** owns the rights to a number of patents, trademarks, copyrights, trade secrets, and other intellectual property. A listing of **onsemi**'s product/patent coverage may be accessed at [www.onsemi.com/site/pdf/Patent-Marketing.pdf](http://www.onsemi.com/site/pdf/Patent-Marketing.pdf). **onsemi** reserves the right to make changes at any time to any products or information herein, without notice. The information herein is provided "as-is" and **onsemi** makes no warranty, representation or guarantee regarding the accuracy of the information, product features, availability, functionality, or suitability of its products for any particular purpose, nor does **onsemi** assume any liability arising out of the application or use of any product or circuit, and specifically disclaims any and all liability, including without limitation special, consequential or incidental damages. Buyer is responsible for its products and applications using **onsemi** products, including compliance with all laws, regulations and safety requirements or standards, regardless of any support or applications information provided by **onsemi**. "Typical" parameters which may be provided in **onsemi** data sheets and/or specifications can and do vary in different applications and actual performance may vary over time. All operating parameters, including "Typicals" must be validated for each customer application by customer's technical experts. **onsemi** does not convey any license under any of its intellectual property rights nor the rights of others. **onsemi** products are not designed, intended, or authorized for use as a critical component in life support systems or any FDA Class 3 medical devices or medical devices with a same or similar classification in a foreign jurisdiction or any devices intended for implantation in the human body. Should Buyer purchase or use **onsemi** products for any such unintended or unauthorized application, Buyer shall indemnify and hold **onsemi** and its officers, employees, subsidiaries, affiliates, and distributors harmless against all claims, costs, damages, and expenses, and reasonable attorney fees arising out of, directly or indirectly, any claim of personal injury or death associated with such unintended or unauthorized use, even if such claim alleges that **onsemi** was negligent regarding the design or manufacture of the part. **onsemi** is an Equal Opportunity/Affirmative Action Employer. This literature is subject to all applicable copyright laws and is not for resale in any manner.

### PUBLICATION ORDERING INFORMATION

LITERATURE FULFILLMENT:  
Email Requests to: [orderlit@onsemi.com](mailto:orderlit@onsemi.com)

**onsemi** Website: [www.onsemi.com](http://www.onsemi.com)

TECHNICAL SUPPORT  
North American Technical Support:  
Voice Mail: 1 800-282-9855 Toll Free USA/Canada  
Phone: 011 421 33 790 2910

Europe, Middle East and Africa Technical Support:  
Phone: 00421 33 790 2910  
For additional information, please contact your local Sales Representative

# Mouser Electronics

Authorized Distributor

Click to View Pricing, Inventory, Delivery & Lifecycle Information:

[onsemi:](#)

[FSUSB242UCX](#) [FSUSB242UCX-Z002](#)