

# 承 认 书

## SPECIFICATION FOR APPROVAL

REV. 0.0

THE INFORMATION OF CUSTOMER 客户资料	
MESSRE 客 户:	
承 认 印	Customer's signature
Model Type: 型 号	Network socket
Customer's P/N: 客户料号:	
Date of approval: 承认日期:	
PLEASE RETURN BY ONE COPY 样品确认后请回传一份	

THE INFORMATION OF RUICHUAN 瑞川资料	
Product name: 产品名称	RCH-52-42(带灯后脚3.8)黄 绿负正
Part No. : 产品料号:	5242-8YG18010AB33
Date of providing sample: 送样日期:	2022-12-02
(工程) 吴素飞 (审核)	林华宣 (批准)



**温州瑞川电子有限公司**

WENZHOU RUICHUAN ELECTRONIC CO., LTD

公司地址: 浙江省乐清市虹桥镇溪西兴发路788号  
NO. 788, Xixi Xingfa Road, Hongqiao Town, Yueqing City,  
Zhejiang Province

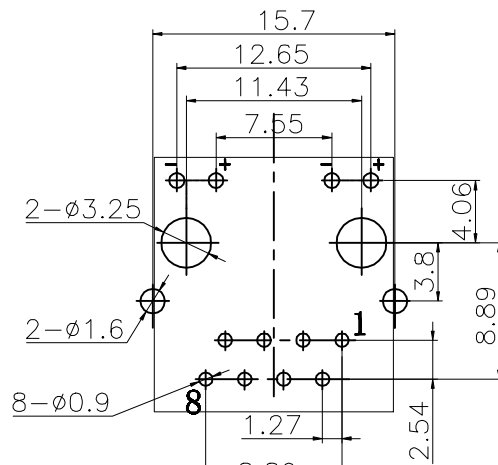
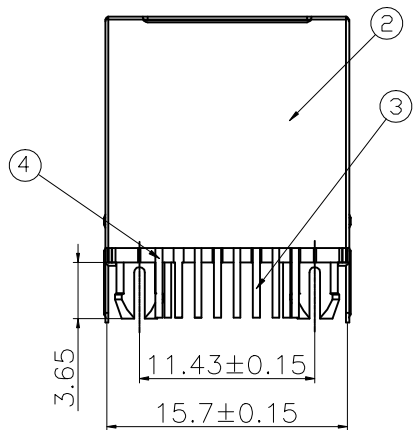
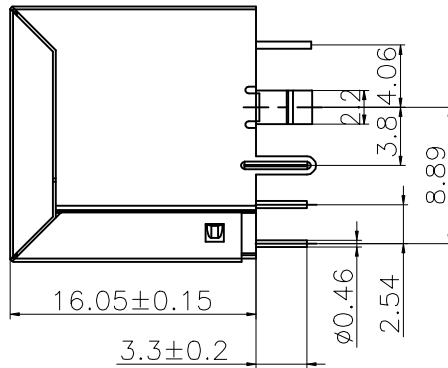
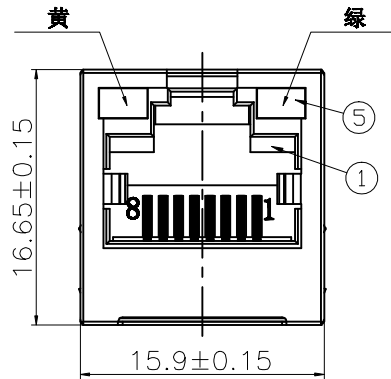
Tel. :0577-62388881

Fax. :0577-62388870

E-mail:wzruich@163.com

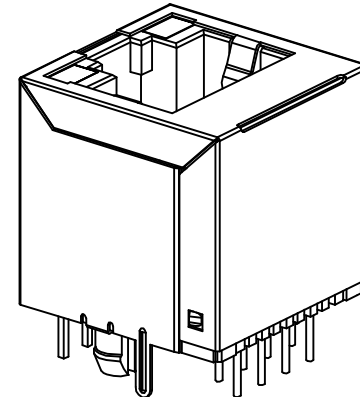
Http:www.wzruich.com





**General Specification**  
 Current Rating: 1.5A DC /Contact, 20mA DC for LED signals  
 Voltage Rating: 125V AC /Contact, 2.0 volts DC for LED signals  
 Operating Environment  
 Standard Temperature: -20°C~+70°C  
 Industrial Temperature: -40°C~+85°C  
 Humidity: 20~70%  
 Contact Resistance: ≤30mΩ  
 Insulation Resistance: ≥500MΩ  
 Dielectric Strength: 500V AC/(50HZ)/Min  
 Mating And Unmating Force: 3~20N  
 Durability: 750 Cycles Min

**Material Specification**  
 Housing :Thermo-plastic, UL94V-0.  
 Contact :Alloy Copper  
 Shield :Alloy Copper  
 Please refer to the customer drawing when customer has specified



5	LED灯	树脂/FE	2	NI/AG	
4	后盖	PA46	1	BLACK	
3	插针	PHOSPHOR BRONZE	8	FU*	
2	外壳	H62	1	NI	
1	塑座	PA46	1	BLACK	
序号	名称	材料	数量	镀层/颜色	备注

网络插座外形图



温州瑞川电子有限公司  
 WEN ZHOU RUI CHUAN ELECTRONIC CO., LTD.

绘图: 吴飞 日期: 2022.4.6  
 审核: 吴飞 日期:  
 核准: 吴飞 日期:

一般公差  
 90~ ±0.25  
 10~30 ±0.20  
 ~10 ±0.15  
 角度: ±2°  
 页面: 1 of 1  
 品名: RCH-52-42(带灯后脚3.8)黄绿 负正 无四点  
 料号: 5242-6YG16010AB33  
 型号: RJ45 图号:  
 版本: 单位:mm 比例: 1:1 纸张: A4

改  
 涂  
 量  
 上  
 面  
 图  
 在  
 止  
 禁

A/0 新出版发行

版次 变更履历

变更单号

绘制 日期

核准: 日期:

# 温州瑞川电子有限公司

## RJ45/RJ11插座系列产品技术参数

ModelType: 类型型号:	NETWORK CONNECTOR	版本	AO
---------------------	-------------------	----	----

### 1. Scope/适用范围

This specification is applied to NETWORK CONNECTOR which is used for electric products.

本规格书适用于电子产品上的网络插座连接器。

### 2. 要求 Requirements

#### 2.1 一般规格 General Specification

2.1.1 额定电流 Current Rating:1.5A DC / Contact, **20mA DC for LED signals**

2.1.2 额定电压 Voltage Rating:125V AC / Contact, 2.0 volts DC for LED signals

#### 2.1.3 工作环境 Operating Environment

标准温度 Standard Temperature : -20°C ~ +70°C

工业温度 Industrial Temperature : -40°C ~ +85°C (根据客户要求 According to customer request)

湿度 Humidity : 20 ~ 70%

#### 2.1.4 储存环境 Storage Environment

温度 Temperature : -40to+85°C

湿度 Humidity : 20% ~ 70%

#### 2.1.5 测试环境 TestEnvironment

温度 Temperature : +20°C ~ +30°C

湿度 Humidity : 25% ~ 65%

大气压 Atmospheric Pressure : 86-106KPA

### 3.Construction/说明

#### 3-1.Outline And Dimension/外观和尺寸

Outline and dimension of the jack shown be as attached assembled drawing.

插座的外观和尺寸应与附件图纸相符。

#### 3-2.Part And Material 部件和材料

The parts and materials shown be in material identification sheet and certification of material.

部件和材料应与材料清单规格一致。

### 4.Electrical efficiency/电气特性

Item 项目	Property 特性	Test condition 测试条件	Performance 判定
4-1	Withstand voltage 耐电压	The Jack shall be withstanded 500V(AC 50/60Hz RMS)between mutually insulated pin contacts for one minute , Leakage current 0.5mA MAX. 在相互绝缘的接触脚之间, 插座能承受100电压 (AC 50/60Hz RMS)并持续1分钟, 漏电流 0.5mA MAX。	No dielectric breakdown shall occur. 无击穿现象发生
4-2	Insulation resistance 绝缘阻抗	Using a 500 volts DC insulation resistance meter between mutually insulated terminals ormetalic parts 在相互绝缘的端子、端子与外壳之间, 插座应能承受施加的500V直流电压。	100 MΩ MIN. 最小 1 0 0 兆欧
4-3	Contact resistance 接触电阻	measurement across a pair of mated contacts(20mV, 100mA max),for AC the frequency below 2KHz. 取一对匹配好的端子, 测量各端子的尾端点, 电压最大20mV, 电流量在100mA。对于交流测量, 此频率不超过2KHz。	30 MΩ MIN. 最大30毫欧

# 温州瑞川电子有限公司

## RJ45/RJ11插座系列产品技术参数

Model Type: 类型型号:	NETWORK CONNECTOR	版本	A0
----------------------	-------------------	----	----

### 5. Mechanical efficiency 机械特性

Item 项目	Property 特性	Test condition 测试条件	Performance 判定
5-1	Insertion and extraction force 插入和拔出力	the matching plug shall be inserted into the jack and extracted from the jack with the rate of 20-30 times/1 minute averagely (remove lock part) . 用相匹配的插头以每分钟20-30次的频率均速插头进行插拔(去除锁定装置)。	Insertion force is below 20N, extraction force is below 20N. 插入力小于30N, 拔出力小于30N。
5-2	Terminal strength 端子强度	Every terminal shall be capable of withstand a force of 5N (About 0.5kgf) for 10 seconds. 每个端子都应能承受5N(大约0.5kgf)的力, 并持续10秒。	Without loosing and breakdown, but deformation of terminal is accepted. 无松脱、破损等现象, 但是端子变形可以接受。

### 6. Durability / 耐久性能

Item 项目	Property 特性	Test condition 测试条件	Performance 判定
6-1	Life test 寿命测试	The life test shall consist of 750 cycles of insertion and extraction with mated plug, at a rate of 20 to 30 cycles per minutes . 以每分钟20-30次的频率, 均速, 用相匹配的插头进行插拔750次。	The jack will not be destroyed, Contact resistance: 30m Ω max . 产品没有被破坏, 接触电阻: 小于50毫欧。

### 7. Solderability / 焊锡试验

Item 项目	Property 特性	Test condition 测试条件	Performance 判定
7-1	Resistance to soldering heat test 耐焊性试验	The jack terminal shall be dipped in solder under the condition as specified below: Temperature of solder: 260 ± 3°C. Dip time: 5 ± 1 seconds. 端子浸入锡炉里, 按以下条件测试: 焊锡温度: 260 ± 3°C 浸入时间: 5 ± 1 秒	The jack 's appearance: housing shall not be transmutation, contact shall not be pull out from housing . The jack shall be comply with paragraphs Electrical efficiency and Mechanical efficiency . 试验后塑胶基座不应变形, 端子无脱落。能满足机械特性和电气特性。

# 温州瑞川电子有限公司

## RJ45/RJ11插座系列产品技术参数

<b>Model Type:</b> 类型型号:	NETWORK CONNECTOR	版本	A0
-----------------------------	-------------------	----	----

7-2	Soldering test 可焊性试验	Temperature of solder: $245 \pm 3^\circ\text{C}$ . Time of dip: $3 \pm 0.5$ seconds. Length of dip: 2.0 mm (from end of terminal). 焊锡温度: $245 \pm 3^\circ\text{C}$ . 浸入时间: $3 \pm 0.5$ 秒 浸入深度: 2.0 mm(从端子尾端开始).	Areas of soldering shall be capable of 95 % or more of dip terminal area. 端子顶端沾锡面积要求达到95 %以上.
-----	-------------------------	--	--

### 8. Environment test / 环境试验

Item 项目	Property 特性	Test condition 测试条件	Performance 判定
8-1	Cold test 低温测试	The jack shall be subjected to temperature of $-25 \pm 2^\circ\text{C}$ for a period of 96 hours ,then shall be allowed to remain in room ambient conditions for 30 minutes. 将插座放置在 $-25 \pm 2^\circ\text{C}$ 低温条件下持续 96 小时，然后在室温条件下静置 30 分钟。	Appearance shall not be changed obviously. Contact resistance: $50\text{m}\ \Omega$ max. Withstand voltage: AC 500V。  外观无明显改变。 接触电阻：小于 50 毫欧。 耐电压： AC 500V。
8-2	Heat test 高温试验	The jack shall be subjected to temperature of $70 \pm 2^\circ\text{C}$ for a period of 96 hours ,then shall be allowed to remain in room ambient conditions for 30 minutes. 将插座放置在 $70 \pm 2^\circ\text{C}$ 高温条件下持续 96 小时，然后在室温条件下静置 30 分钟。	
8-3	Humidity test 耐湿试验	The jack shall be subjected to temperature of $40 \pm 2^\circ\text{C}$ and relative humidity of 90 % to 95% for a period of 96 hours. Upon completion of the exposure, dew drops shall be blown out and removed from the jack, after which the jack shall conditioned at room ambient conditions for 30 minutes. 将插座放置在温度为 $40 \pm 2^\circ\text{C}$ ，相对湿度为 90~95% 的环境下持续 96 小时。完成以上事项后，除去插座上的水珠，然后在室温条件下静置 30 分钟。	
8-4	Temperature cycling test 温度循环试验	The jack shall be subjected to conditions as shown in below, and then shall returned and allowed to remain in ambient condition for 30 minutes. 将插座放置于如下所示条件下进行试验，然后在室温条件下放置 30 分钟。  <div style="text-align: center;"> <p>(TEMPERATURE)</p> <p style="text-align: right;">(five cycles) (5次)</p> <p style="text-align: center;">(TIME) 时间</p> </div>	

# 温州瑞川电子有限公司

## RJ45/RJ11插座系列产品技术参数

Model Type: 类型型号:	NETWORK CONNECTOR	版本	A0
----------------------	-------------------	----	----

Item 项目	Property 特性	Test condition 测试条件	Performance 判定
8-5	Salt mist test 盐雾试验	Testing bath: The temperature shall be $35\text{ }^{\circ}\text{C}\pm 2\text{ }^{\circ}\text{C}$ in the ambient of the jack during the test. Spray apparatus: The apparatus shall be capable of producing fine dense mist uniformly. Salt water: The concentration of the salt water shall be adjusted at $5\pm 1\%$ weight ratio at $35\text{ }^{\circ}\text{C}\pm 2\text{ }^{\circ}\text{C}$ Testing time: 8 hours.  试验室: 在温度为 $35\pm 2\text{ }^{\circ}\text{C}$ 条件下进行测试 喷雾设备: 设备应能承受均一浓度的盐雾 盐水浓度: 在温度为 $35\pm 2\text{ }^{\circ}\text{C}$ 条件下, 盐水浓度为 $5\pm 1\%$ 测试时间: 8小时	Appearance shall not be extremely rust . 外观没有明显的生锈现象。

### 9. Test condition / 测试条件

The test and measurement, unless otherwise specified, shall be carry out at a temperature of  $5\text{ }^{\circ}\text{C}\sim 35\text{ }^{\circ}\text{C}$ , relative humidity of  $45\%\sim 85\%$ , and atmospheric pressure of  $86\text{kPa}\sim 106\text{kPa}$ .

However, when any doubt arises on the judgment value under it, the test and measurement shall be carry out a temperature of  $20\pm 2\text{ }^{\circ}\text{C}$ , relative humidity of  $60\%\sim 70\%$ , and atmospheric pressure of  $86\text{kPa}\sim 106\text{kPa}$ .

除非另有指定, 否则测试和测量温度在  $5\text{ }^{\circ}\text{C}\sim 35\text{ }^{\circ}\text{C}$ , 相对湿度在  $45\%\sim 85\%$ , 气压在  $86\text{kPa}\sim 106\text{kPa}$  条件下进行。  
 当在这个条件下判定出现疑问时, 测试和测量在  $20\pm 2\text{ }^{\circ}\text{C}$ , 相对湿度  $60\%\sim 70\%$ , 气压在  $86\text{kPa}\sim 106\text{kPa}$  条件下进行。

### 10. Amendment / 变更修正

When the amendment of this specification comes into necessity, it shall made by the mutual consultation and agreement between manufacture and customer.

当有必要对规格书进行变更修正时, 应该在制造商和客户共同商议及同意后才可以进行。

※ This specification is state with Chinese & English, Chinese is preferential while doubt in interpretation.

规格书同时记入中英文, 但发生疑义的场所以中文优先。

1 2 3 4 5 6 7 8 9 10 11

A

B

C

D

E

改  
涂  
意  
随  
上  
面  
图  
在  
止  
禁  
版  
次

A

B

C

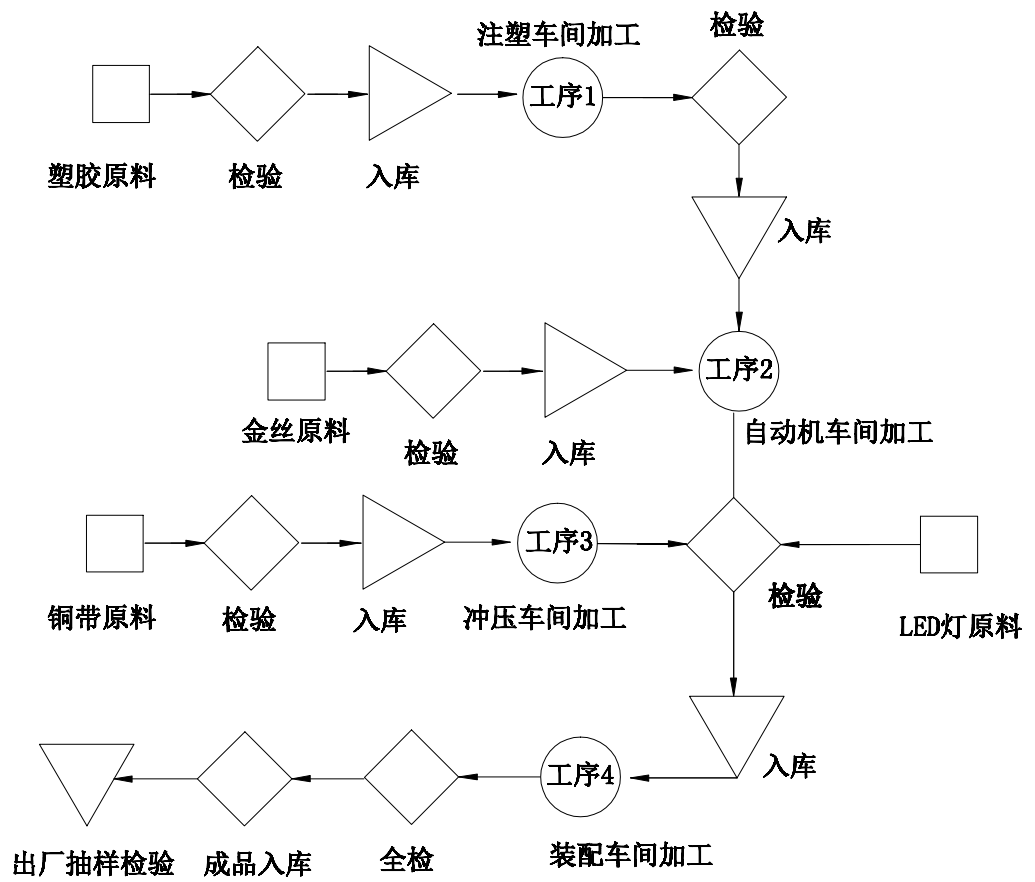
D

E

F

G

### 流程图



### 流程图



**温州瑞川电子有限公司**  
WEN ZHOU RUI CHUAN ELECTRONIC CO., LTD.

绘图	日期	品名	RJ45		
审核	日期	料号	RCH-52-42(带灯无弹)		
核准	日期	型号	图号		
		版本:	单位: mm	比例: 1:1	纸张: A4

新出版发行



**WENZHOU RUICHUAN ELECTRONICS CO.,LTD**

**温州瑞川电子有限公司**

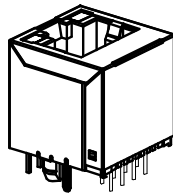
**Packing Specification(包装规格)**

**NO: RCH-PD-00-08**

Model Type: 类型型号:	RJ45 NETWORK JACK	DESIGN 设计	CHECKED 审核	APPROVED 批准
Model No.: 料号:	RCH-52-42 带灯无弹			
Customer Part No.: 客户料号:				

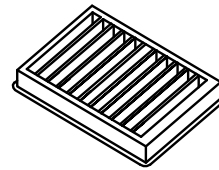
1 Carton  
=100 Pcs/ Box  
=30 Boxes/Carton  
=3000PCS/ Carton

Product(产品)

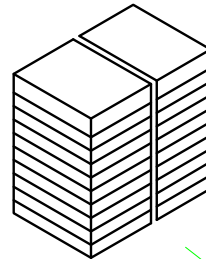


Plastic Box (塑料盒)

100pcs/box



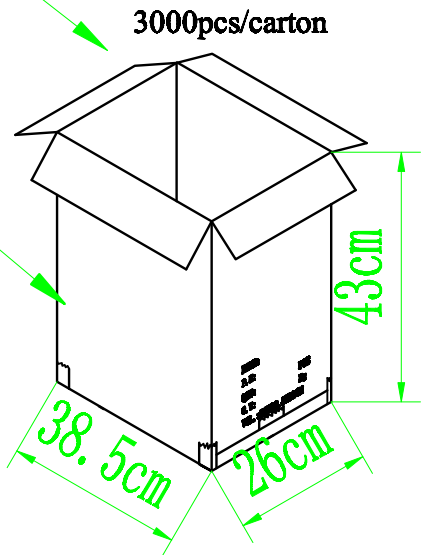
物料标识贴			
物料名称		数量	
物料代码		数量	
出厂日期	年 月 日	数量	



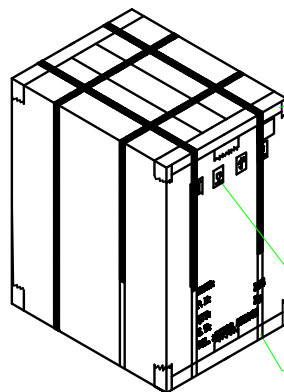
30boxes/carton

**NOTE备注:**

- 1.Each Box have 100 products inside.  
每盒内装100只产品。
- 2.Each Carton have 30pcs boxes inside.  
每箱内装30盒。
- 3.Each carton have 3000 products inside. WZX-0000 Carton  
每个外箱内装3000只产品。 WZX-0000 外箱
4. ZX-0001 carton(Size:38.5X26X43cm)  
ZX-0001 外箱 (尺寸: 38.5X26X43cm)



3000pcs/carton



Adhesive tape  
胶带

Mark list  
标识贴

Pack Strip  
打包带

Mark 标记	Date 日期	CHANGE 变更	CHECK 审核	APPRO. 批准	DESCRIPTION 描述





# 测试报告

报告编号: GSL20220421005 日期: 2022 年 4 月 28 日

第 1 页 共 5 页

申请方 : 乐清市正弘塑化有限公司  
地址 : 浙江省乐清市淡溪镇孙家祥工业区  
样品描述 : PA46  
颜色 : 黑色  
样品接收时间 : 2022 年 4 月 21 日  
测试周期 : 2022 年 4 月 21 日 - 2022 年 4 月 28 日

申请测试项目	测试结果
- 欧盟 RoHS 指令 2011/65/EU,2015/863/EU 及后续修正指令	通过

\*\*\* 具体测试结果, 请参见后续页面 \*\*\*

全立宇

批准: 全立宇  
职位: 技术主管  
上海量远检测技术有限公司



Greatesting Service Shanghai Co., Ltd.  
上海量远检测技术有限公司

如相关项目未取得资质认定, 结果仅作为科研、教学或内部质量控制之用, 不作为社会公正性数据。  
未经本机构书面批准, 部分复制报告无效。

除非另有说明, 本检测报告所显示的结果仅指实验室接收和检测的样品, 且该样品仅保留 30 天。

以上样品及信息由客户提供及确认, 本公司不负责样品的真伪性, 不承担证实客户提供信息的准确性、适当性和完整性责任。

If the project has not been assessed for competence, the results will only be used for scientific research, teaching or internal quality control, not as social justice data.

Part copy report is invalid without the approval of the written documents of the testing organization.

Unless otherwise stated, the results shown in this test report refer only to samples received and tested by the laboratory and retained for 30 days only.

The above samples and information are provided and confirmed by the customer, this company is not responsible for the authenticity of the samples, and does not assume the responsibility of verifying the accuracy, appropriateness and integrity of the information provided by the customer.

The whole responsibility of Greatesting Service (Shanghai) Co., Ltd is to ensure that this job has been performed according to our Quality System and complying contract and legal conditions. This company bear only limited liability such as within 5 times of the cost of the test item and do not undertake any joint liability caused by this document.

Reproduction of this document is only valid if it is done completely and under the written permission of Greatesting Service (Shanghai) Co., Ltd.

If you happen to have any complaints, please do it by sending email to info@greatesting.com and referring to this report number.

10/F, 1# Building, No.2899 South Lianhua Road, Minghang District, Shanghai, China

上海市闵行区莲花南路 2899 号莲谷科技园 1 号楼 10 层

t (86-21)64788791

f (86-21)64788792

Http://www.greatesting.com

info@greatesting.com



# 测试报告

报告编号: GSL20220421005 日期: 2022年4月28日

第 2 页 共 5 页

## 样品照片



\*\*\* 待续 \*\*\*



Greatesting Service Shanghai Co., Ltd.  
上海量芯检测技术有限公司

如相关项目未取得资质认定, 结果仅作为科研、教学或内部质量控制之用, 不作为社会公正性数据。  
未经本机构书面批准, 部分复制报告无效。

除非另有说明, 本检测报告所显示的结果仅指实验室接收和检测的样品, 且该样品仅保留 30 天。

以上样品及信息由客户提供及确认, 本公司不负责样品的真伪性, 不承担证实客户提供信息的准确性、适当性和完整性责任。

If the project has not been assessed for competence, the results will only be used for scientific research, teaching or internal quality control, not as social justice data.

Part copy report is invalid without the approval of the written documents of the testing organization.

Unless otherwise stated, the results shown in this test report refer only to samples received and tested by the laboratory and retained for 30 days only.

The above samples and information are provided and confirmed by the customer, this company is not responsible for the authenticity of the samples, and does not assume the responsibility of verifying the accuracy, appropriateness and integrity of the information provided by the customer.

The whole responsibility of Greatesting Service (Shanghai) Co., Ltd is to ensure that this job has been performed according to our Quality System and complying contract and legal conditions. This company bear only limited liability such as within 5 times of the cost of the test item and do not undertake any joint liability caused by this document.

Reproduction of this document is only valid if it is done completely and under the written permission of Greatesting Service (Shanghai) Co., Ltd.

If you happen to have any complaints, please do it by sending email to [info@greatesting.com](mailto:info@greatesting.com) and referring to this report number.

10/F, 1# Building, No.2899 South Lianhua Road, Minghang District, Shanghai, China  
上海市闵行区莲花南路 2899 号莲谷科技园 1 号楼 10 层

t (86-21)64788791  
f (86-21)64788792

[Http://www.greatesting.com](http://www.greatesting.com)  
[info@greatesting.com](mailto:info@greatesting.com)



# 测试报告

报告编号: GSL20220421005 日期: 2022年4月28日

第3页共5页

## 测试结果:

### 电子电器禁用某些有害物质指令

测试方法: 参照 IEC 62321-4:2013, IEC 62321-5:2013, IEC 62321-7-2:2017, 电子电器产品中四种限用物质浓度测定。参照 IEC 62321-6:2015, 聚合物和电子材料中的多溴联苯和多溴二苯醚测定  
参照 IEC 62321-8:2017, 聚合物中邻苯二甲酸酯的测定

化合物	单位	测试结果	限值	方法 检出限
		1		
铅 (Pb)	mg/kg	ND	1000	2
汞 (Hg)	mg/kg	ND	1000	2
镉 (Cd)	mg/kg	ND	100	2
六价铬 (Cr VI)	mg/kg	ND	1000	8
<b>Polybrominated Biphenyls 多溴联苯 (PBBs):</b>				
Bromobiphenyls 一溴联苯	mg/kg	ND	--	5
Dibromobiphenyls 二溴联苯	mg/kg	ND	--	5
Tribromobiphenyls 三溴联苯	mg/kg	ND	--	5
Tetrabromobiphenyls 四溴联苯	mg/kg	ND	--	5
Pentabromobiphenyls 五溴联苯	mg/kg	ND	--	5
Hexabromobiphenyls 六溴联苯	mg/kg	ND	--	5
Heptabromobiphenyls 七溴联苯	mg/kg	ND	--	5
Octabromobiphenyls 八溴联苯	mg/kg	ND	--	5
Nonabromobiphenyls 九溴联苯	mg/kg	ND	--	5
Decabromobiphenyl 十溴联苯	mg/kg	ND	--	5
Sum of PBBs 多溴联苯总和	mg/kg	ND	1000	--
<b>Polybrominated Diphenyl Ethers 多溴二苯醚 (PBDEs):</b>				
Bromodiphenyl ethers 一溴联苯醚	mg/kg	ND	--	5
Dibromodiphenyl ethers 二溴联苯醚	mg/kg	ND	--	5
Tribromodiphenyl ethers 三溴联苯醚	mg/kg	ND	--	5
Tetrabromodiphenyl ethers 四溴联苯醚	mg/kg	ND	--	5
Pentabromodiphenyl ethers 五溴联苯醚	mg/kg	ND	--	5
Hexabromodiphenyl ethers 六溴联苯醚	mg/kg	ND	--	5
Heptabromodiphenyl ethers 七溴联苯醚	mg/kg	ND	--	5
Octabromodiphenyl ethers 八溴联苯醚	mg/kg	ND	--	5
Nonabromodiphenyl ethers 九溴联苯醚	mg/kg	ND	--	5
Decabromodiphenyl ether 十溴联苯醚	mg/kg	ND	--	5
Sum of PBDEs 多溴联苯醚总和	mg/kg	ND	1000	--
<b>Phthalates 邻苯二甲酸酯:</b>				
邻苯二甲酸二丁酯(DBP)	mg/kg	ND	1000	50
邻苯二甲酸丁酯苯酯(BBP)	mg/kg	ND	1000	50
邻苯二甲酸二(2-乙基己基)酯(DEHP)	mg/kg	ND	1000	50
邻苯二甲酸二异丁酯 DIBP	mg/kg	ND	1000	50

#### 备注:

ND = 未检出, 小于方法检出限

mg/kg = ppm, 毫克每千克

最大允许极限值引用自 2011/65/EU, 2015/863/EU 及后续修正指令。

该样品测试方法和判定标准由客户指定。

如相关项目未取得资质认定, 结果仅作为科研、教学或内部质量控制之用, 不作为社会公正性数据。

未经本机构书面批准, 部分复制报告无效。

除非另有说明, 本检测报告所显示的结果仅指实验室接收和检测的样品, 且该样品仅保留 30 天。

以上样品及信息由客户提供及确认, 本公司不负责样品的真伪性, 不承担证实客户提供信息的准确性、适当性和完整性责任。

If the project has not been assessed for competence, the results will only be used for scientific research, teaching or internal quality control, not as social justice data.

Part copy report is invalid without the approval of the written documents of the testing organization.

Unless otherwise stated, the results shown in this test report refer only to samples received and tested by the laboratory and retained for 30 days only.

The above samples and information are provided and confirmed by the customer, this company is not responsible for the authenticity of the samples, and does not assume the responsibility of verifying the accuracy, appropriateness and integrity of the information provided by the customer.

The whole responsibility of Greatesting Service (Shanghai) Co., Ltd is to ensure that this job has been performed according to our Quality System and complying contract and legal conditions. This company bear only limited liability such as within 5 times of the cost of the test item and do not undertake any joint liability caused by this document.

Reproduction of this document is only valid if it is done completely and under the written permission of Greatesting Service (Shanghai) Co., Ltd.

If you happen to have any complaints, please do it by sending email to info@greatesting.com and referring to this report number.

10/F, 1# Building, No.2899 South Lianhua Road, Minghang District, Shanghai, China

t (86-21)64788791

Http://www.greatesting.com

上海市闵行区莲花南路 2899 号莲谷科技园 1 号楼 10 层

f (86-21)64788792

info@greatesting.com



Greatesting Service Shanghai Co., Ltd.  
上海冠捷检测技术有限公司



# 测试报告

报告编号: GSL20220421005 日期: 2022 年 4 月 28 日

第 4 页 共 5 页

样品	样品描述
1	PA46



Greatesting Service Shanghai Co., Ltd.  
上海冠越检测技术有限公司

如相关项目未取得资质认定, 结果仅作为科研、教学或内部质量控制之用, 不作为社会公正性数据。  
未经本机构书面批准, 部分复制报告无效。

除非另有说明, 本检测报告所显示的结果仅指实验室接收和检测的样品, 且该样品仅保留 30 天。  
以上样品及信息由客户提供及确认, 本公司不负责样品的真伪性, 不承担证实客户提供信息的准确性、适当性和完整性责任。

If the project has not been assessed for competence, the results will only be used for scientific research, teaching or internal quality control, not as social justice data.

Part copy report is invalid without the approval of the written documents of the testing organization.

Unless otherwise stated, the results shown in this test report refer only to samples received and tested by the laboratory and retained for 30 days only.

The above samples and information are provided and confirmed by the customer, this company is not responsible for the authenticity of the samples, and does not assume the responsibility of verifying the accuracy, appropriateness and integrity of the information provided by the customer.

The whole responsibility of Greatesting Service (Shanghai) Co., Ltd is to ensure that this job has been performed according to our Quality System and complying contract and legal conditions. This company bear only limited liability such as within 5 times of the cost of the test item and do not undertake any joint liability caused by this document.

Reproduction of this document is only valid if it is done completely and under the written permission of Greatesting Service (Shanghai) Co., Ltd.

If you happen to have any complaints, please do it by sending email to [info@greatesting.com](mailto:info@greatesting.com) and referring to this report number.

10/F, 1# Building, No.2899 South Lianhua Road, Minghang District, Shanghai, China  
上海市闵行区莲花南路 2899 号莲谷科技园 1 号楼 10 层

t (86-21)64788791  
f (86-21)64788792

[Http://www.greatesting.com](http://www.greatesting.com)  
[info@greatesting.com](mailto:info@greatesting.com)

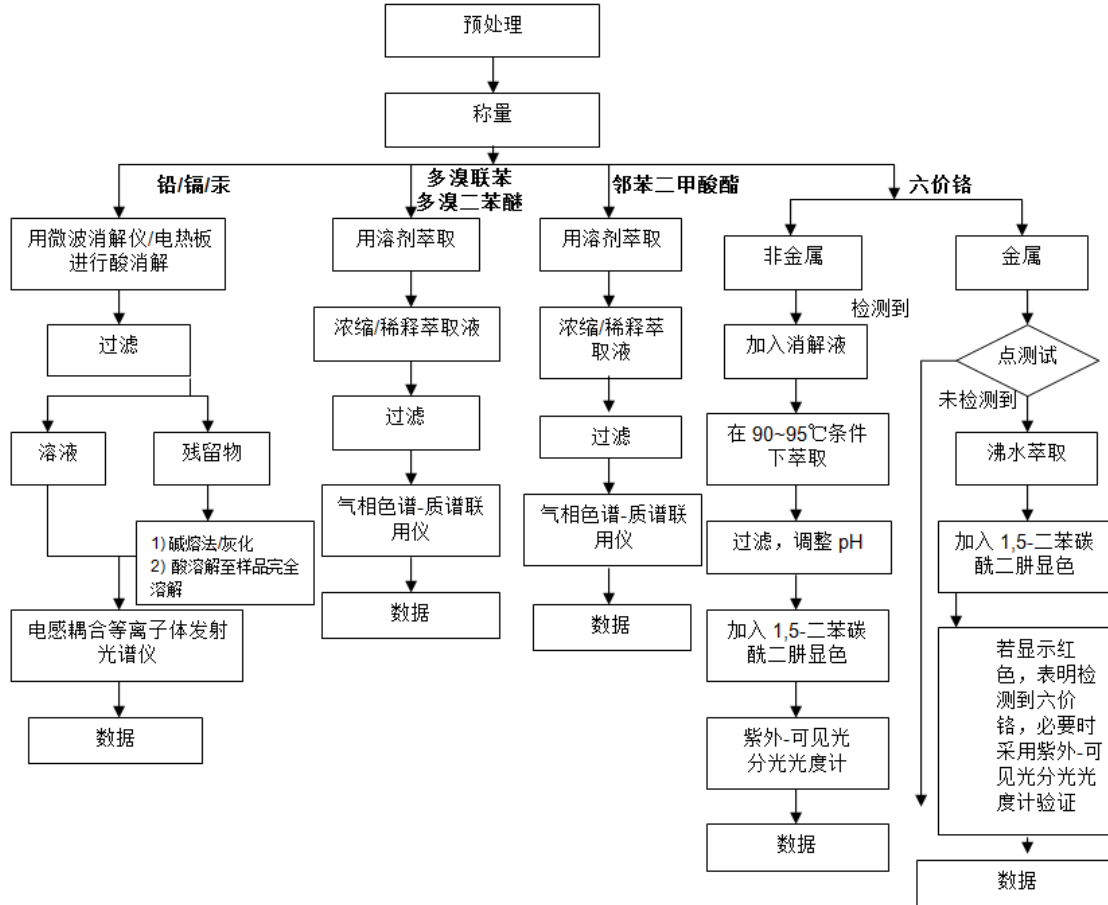


# 测试报告

报告编号: GSL20220421005 日期: 2022年4月28日

第 5 页 共 5 页

### 测试流程图



\*\*\* 报告结束 \*\*\*



Greatesing Service Shanghai Co., Ltd.  
上海量达检测技术有限公司

如相关项目未取得资质认定, 结果仅作为科研、教学或内部质量控制之用, 不作为社会公正性数据。  
未经本机构书面批准, 部分复制报告无效。

除非另有说明, 本检测报告所显示的结果仅指实验室接收和检测的样品, 且该样品仅保留 30 天。

以上样品及信息由客户提供及确认, 本公司不负责样品的真伪性, 不承担证实客户提供信息的准确性、适当性和完整性责任。

If the project has not been assessed for competence, the results will only be used for scientific research, teaching or internal quality control, not as social justice data.

Part copy report is invalid without the approval of the written documents of the testing organization.

Unless otherwise stated, the results shown in this test report refer only to samples received and tested by the laboratory and retained for 30 days only.

The whole responsibility of Greatesing Service (Shanghai) Co., Ltd is to ensure that this job has been performed according to our Quality System and complying contract and legal conditions. This company bear only limited liability such as within 5 times of the cost of the test item and do not undertake any joint liability caused by this document.

Reproduction of this document is only valid if it is done completely and under the written permission of Greatesing Service (Shanghai) Co., Ltd.

If you happen to have any complaints, please do it by sending email to info@greatesing.com and referring to this report number.

10/F, 1# Building, No.2899 South Lianhua Road, Minghang District, Shanghai, China

上海市闵行区莲花南路 2899 号莲谷科技园 1 号楼 10 层

t (86-21)64788791  
f (86-21)64788792

Http://www.greatesing.com  
info@greatesing.com



## 检测报告

报告编号 A2220159511101003C

第 1 页 共 7 页

报告抬头公司名称 乐清新为电子科技有限公司  
地 址 浙江省乐清市盐盘工业区韦 15 路 281 号上海人民电器院内 H 东 2 楼

以下测试之样品及样品信息由申请者提供并确认

样品名称 LED 发光二极管  
样品型号 TC-23404GD-3M  
样品接收日期 2022.04.26  
样品检测日期 2022.04.26-2022.04.29

检测要求 根据客户要求, 对所提交样品中的铅(Pb), 镉(Cd), 汞(Hg), 六价铬(Cr(VI)), 多溴联苯(PBBs), 多溴二苯醚(PBDEs), 邻苯二甲酸酯(DBP, BBP, DEHP, DIBP)进行测试。

检测依据/检测结果 请参见下页。

\*\*\*\*\*

### 结论

测试样品	依据标准/指令	结果
提交样品	欧盟 RoHS 指令 2011/65/EU 及其修订指令(EU) 2015/863	符合

\*\*\*\*\*

符合表示检测结果满足欧盟RoHS指令2011/65/EU及其修订指令(EU) 2015/863要求的限值。

主 检

叶梦娇

审 核

郭世荣



陈沙

陈沙  
技术经理

日 期

2022.04.29

No. R465025634

宁波高新区菁华路 76 号厂区东首第一、二层

# 检测报告

报告编号 A2220159511101003C

第 2 页 共 7 页

以下测试之样品及样品信息由申请者提供并确认

样品序号	引用报告编号-样品序号
002	A2220159511101001C-002

备注:

上表格涉及到引用的样品本次未测试。根据客户声明,“引用报告编号-样品序号”列与“样品序号”列对应的样品为同材质。



# 检测报告

报告编号 A2220159511101003C

第 3 页 共 7 页

## 检测依据

测试项目	测试方法	测试仪器
铅(Pb)	IEC 62321-5:2013	ICP-OES
镉(Cd)	IEC 62321-5:2013	ICP-OES
汞(Hg)	IEC 62321-4:2013+AMD1:2017 CSV	ICP-OES
六价铬(Cr(VI))	IEC 62321-7-2:2017 和/或 IEC 62321-5:2013 测试总铬含量	UV-Vis/ICP-OES
多溴联苯(PBBs)	IEC 62321-6:2015	GC-MS
多溴二苯醚(PBDEs)	IEC 62321-6:2015	GC-MS
邻苯二甲酸酯(DBP, BBP, DEHP, DIBP)	IEC 62321-8:2017	GC-MS

## 检测结果

测试项目	结果	方法检出限	限值
	001		
铅(Pb)	N.D.	2 mg/kg	1000 mg/kg
镉(Cd)	N.D.	2 mg/kg	100 mg/kg
汞(Hg)	N.D.	2 mg/kg	1000 mg/kg
六价铬(Cr(VI))	N.D.	8 mg/kg	1000 mg/kg

测试项目	结果	方法检出限	限值
	001		
<b>多溴联苯(PBBs)</b>			
一溴联苯	N.D.	5 mg/kg	1000 mg/kg
二溴联苯	N.D.	5 mg/kg	
三溴联苯	N.D.	5 mg/kg	
四溴联苯	N.D.	5 mg/kg	
五溴联苯	N.D.	5 mg/kg	
六溴联苯	N.D.	5 mg/kg	
七溴联苯	N.D.	5 mg/kg	
八溴联苯	N.D.	5 mg/kg	
九溴联苯	N.D.	5 mg/kg	
十溴联苯	N.D.	5 mg/kg	



# 检测报告

报告编号 A2220159511101003C

第 4 页 共 7 页

测试项目	结果	方法检出限	限值
	001		
<b>多溴二苯醚(PBDEs)</b>			
一溴二苯醚	N.D.	5 mg/kg	1000 mg/kg
二溴二苯醚	N.D.	5 mg/kg	
三溴二苯醚	N.D.	5 mg/kg	
四溴二苯醚	N.D.	5 mg/kg	
五溴二苯醚	N.D.	5 mg/kg	
六溴二苯醚	N.D.	5 mg/kg	
七溴二苯醚	N.D.	5 mg/kg	
八溴二苯醚	N.D.	5 mg/kg	
九溴二苯醚	N.D.	5 mg/kg	
十溴二苯醚	N.D.	5 mg/kg	

测试项目	结果	方法检出限	限值
	001		
<b>邻苯二甲酸酯(DBP, BBP, DEHP, DIBP)</b>			
邻苯二甲酸二丁酯(DBP) CAS#:84-74-2	N.D.	50 mg/kg	1000 mg/kg
邻苯二甲酸丁基苄基酯(BBP) CAS#:85-68-7	N.D.	50 mg/kg	1000 mg/kg
邻苯二甲酸二(2-乙基)己酯 (DEHP) CAS#:117-81-7	N.D.	50 mg/kg	1000 mg/kg
邻苯二甲酸二异丁酯(DIBP) CAS#:84-69-5	N.D.	50 mg/kg	1000 mg/kg

## 样品/部位描述

001 绿色塑料

**备注:** 对于检测铅, 镉, 汞之样品已消解完全。

-N.D. = 未检出 (小于方法检出限)

-mg/kg = ppm = 百万分之一

-1000 mg/kg = 0.1%

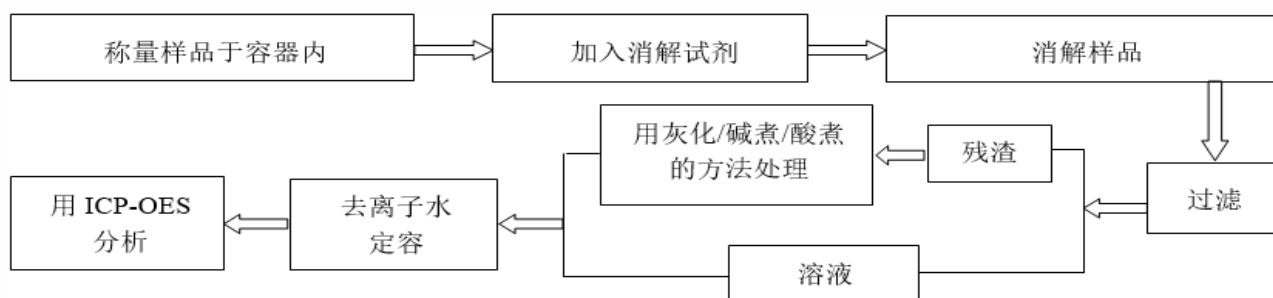
# 检测报告

报告编号 A2220159511101003C

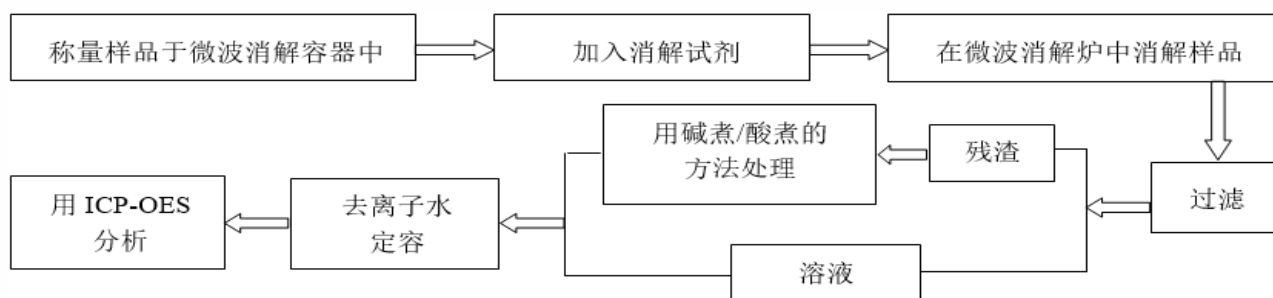
第 5 页 共 7 页

## 检测流程

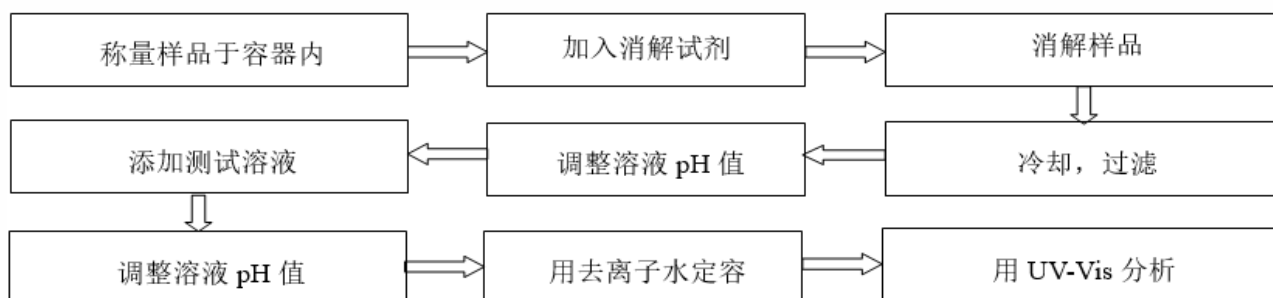
### 1. 铅(Pb), 镉(Cd), 铬(Cr)



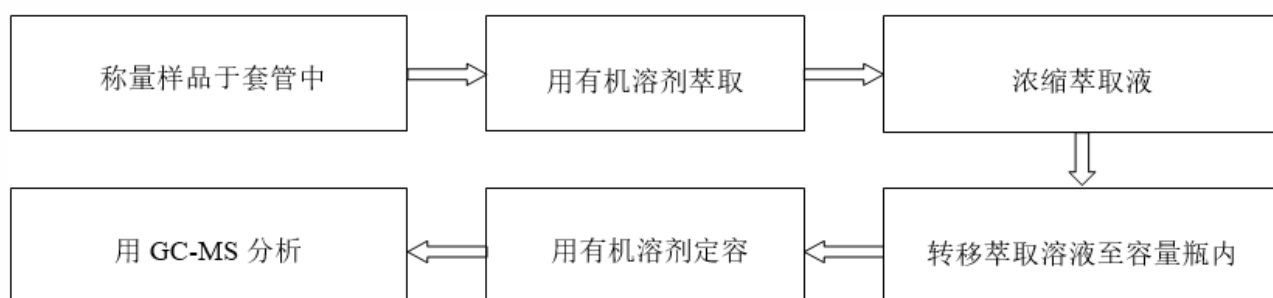
### 2. 汞(Hg)



### 3. 六价铬(Cr(VI))



### 4. 多溴联苯(PBBs), 多溴二苯醚(PBDEs)

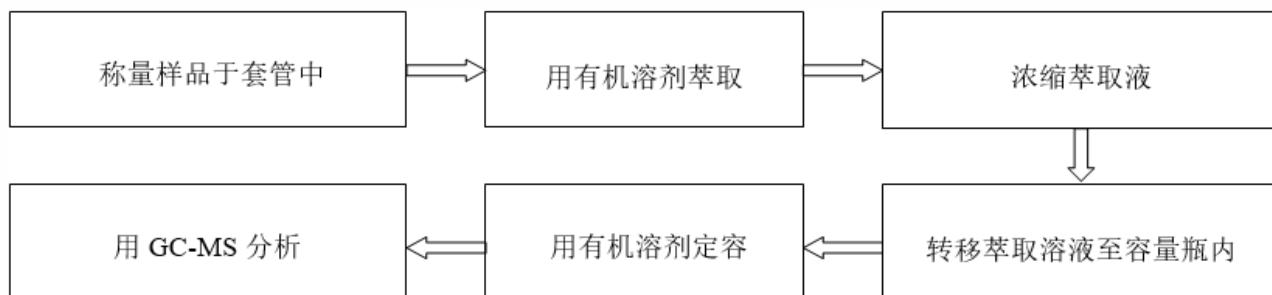


# 检测报告

报告编号 A2220159511101003C

第 6 页 共 7 页

## 5. 邻苯二甲酸酯(DBP, BBP, DEHP, DIBP)



## 检测报告

报告编号 A2220159511101003C

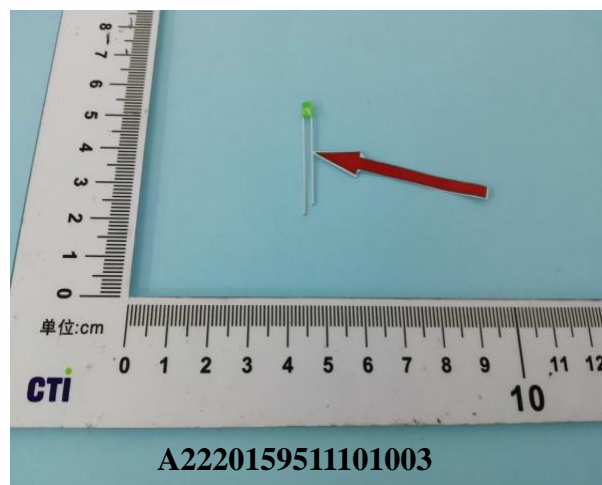
第 7 页 共 7 页

### 样品图片

001



002(客户参考图片(非测试样品))



声明:

1. 检测报告无批准人签字、“专用章”及报告骑缝章无效;
2. 报告抬头公司名称及地址、样品及样品信息由申请者提供, 申请者应对其真实性负责, CTI 未核实其真实性;
3. 本报告检测结果仅对受测样品负责;
4. 未经 CTI 书面同意, 不得部分复制本报告。

\*\*\* 报告结束 \*\*\*

## 附录

客户参考图片（非测试样品）

001



002



### 声明:

1. 附录内容由申请者提供，申请者应对其真实性负责，CTI 未核实其真实性。
2. 附录内容为 A2220159511101003C 报告的补充。

## 检测报告 (SVHC)

编号: SHAEC2215227002

日期: 2022年11月01日 第1页,共19页

客户名称: 宁波博威合金材料股份有限公司  
客户地址: 中国宁波市鄞州区云龙镇太平桥

样品名称: 锡青铜  
主要成分: Cu、Sn  
以上样品及信息由客户提供。

SGS工作编号: SP22-025114 - SH  
样品接收日期: 2022年10月26日  
检测周期: 2022年10月26日 - 2022年11月01日  
检测要求: 根据客户要求,

- (i) 基于欧洲化学品管理署截止2022年6月10日公布的供授权审议的高关注物质候选清单(根据欧盟第1907/2006号REACH法规), 对224种高关注物质(SVHC)进行筛分检测。
- (ii) 基于欧洲化学品管理署截止2022年9月2日公布的潜在的高关注物质咨询清单(根据欧盟第1907/2006号REACH法规), 对9种高关注物质(SVHC)进行筛分检测。
- (iii) 基于WTO 2021年6月1日的通知, 对1种潜在的高关注物质(SVHC)进行筛分检测。

检测结果: 请参见下一页

### 总结:

根据具体的范围和筛分检测, 所提交样品中SVHC检测结果 $\leq 0.1\%$ (w/w)。	通过
--	----

通标标准技术服务(上海)有限公司  
授权签名

盛雯舒

Sue Sheng 盛雯舒  
批准签署人

scan to see the report



7B1D38AE



Unless otherwise agreed in writing, this document is issued by the Company subject to its General Conditions of Service printed overleaf, available on request or accessible at <http://www.sgs.com/en/Terms-and-Conditions.aspx> and, for electronic format documents, subject to Terms and Conditions for Electronic Documents at <http://www.sgs.com/en/Terms-and-Conditions/Terms-e-Documents.aspx>. Attention is drawn to the limitation of liability, indemnification and jurisdiction issues defined therein. Any holder of this document is advised that information contained hereon reflects the Company's findings at the time of its intervention only and within the limits of Client's instructions, if any. The Company's sole responsibility is to its Client and this document does not exonerate parties to a transaction from exercising all their rights and obligations under the transaction documents. This document cannot be reproduced except in full, without prior written approval of the Company. Any unauthorized alteration, forgery or falsification of the content or appearance of this document is unlawful and offenders may be prosecuted to the fullest extent of the law. Unless otherwise stated the results shown in this test report refer only to the sample(s) tested.

Attention: To check the authenticity of testing / inspection report & certificate, please contact us at telephone: (86-755) 8307 1443, or email: [CN.Doccheck@sgs.com](mailto:CN.Doccheck@sgs.com)

SGS-CSTC Technical Services (Shanghai) Co., Ltd.  
Testing Center - Client Responsibility

3<sup>rd</sup> Building, No. 889 Yishan Road Xuhui District, Shanghai China 200233 t E&E (86-21) 61402553 f E&E (86-21) 64953679 www.sgsgroup.com.cn  
中国·上海·徐汇区宜山路889号3号楼 邮编: 200233 t HL (86-21) 61402594 f HL (86-21) 61156899 e [sgs.china@sgs.com](mailto:sgs.china@sgs.com)

## 检测报告 (SVHC)

编号: SHAEC2215227002

日期: 2022年11月01日 第2页,共19页

备注:

1. 本报告所涉及的关于特定高关注物质的化学分析是根据欧洲化学品管理署发布的下列文件, 利用现有的分析技术完成的。

<http://echa.europa.eu/web/guest/candidate-list-table>

这些文件清单由欧洲化学品管理署评估, 将来可能会有变化。

2. REACH法规义务:

### 2.1 关于物品:

告知:

欧盟第1907/2006 (EC) 号法规第33条规定, 含有满足第57条中的标准并根据第59条第一款被确定且质量分数大于0.1%的物质的物品的所有供应商应向物品接受者提供其可获取的充足信息, 以使物品使用安全, 这些信息至少包括含有的候选清单中物质的名称。

通报:

根据欧盟第1907/2006 (EC) 号法规, 如果满足以下两个条件, 如果物质符合第57条中的标准并根据第59条第一款被确定, 物品的任何欧洲制造商或进口商应根据第7条第4款向欧盟化学品管理署进行通报: (a) 候选清单中的物质在物品中的总含量超过1吨/年/生产商或进口商; (b) 候选清单中的物质在物品中的总含量以质量分数计超过0.1% 的浓度。

SGS采用欧盟法院对REACH物品定义的裁定, 除非另有说明。详细的解释请见下列网址:

<http://www.sgs.com/-/media/global/documents/technical-documents/technical-bulletins/sgs-crs-position-statement-on-svhc-in-articles-a4-en-16-06.pdf?la=en>

### 2.2 关于材料:

报告中的检测结果是基于检测样品。如样品是均一材质, 当其构成成品时, 此结果不能代表成品中的SVHC浓度。如样品为均一材质等比例合测, 这些材质也可能来自不同的物品。

如果样品是一种物质或混合物, 并且直接出口到欧盟, 客户有责任遵守欧盟第1907/2006号REACH法规第31条供应链信息传递的义务和附件十四中的授权高关注物质授权的责任。

### 2.3 关于物质和配制品:

如果样品中高关注物质的浓度超过0.1% (w/w) 和/或欧盟第1272/2008号CLP法规及其修订中设定的特殊浓度限值, 建议客户根据欧盟第1907/2006号REACH法规对有关高关注物质准备安全数据表(SDS)以符合供应链通信的义务, 如

-根据欧盟第1272/2008号CLP法规被列为有害物质。

-根据欧盟第1272/2008号CLP法规被列为有害混合物, 而当中物质的浓度大于或等于欧盟第1272/2008号CLP法规列出的浓度限值;或

-根据欧盟第1272/2008号CLP法规并未列为有害混合物, 但包含:

(a) 对人类健康或环境有害的物质, 而在固体或液体混合物(即非气体混合物)中其浓度 $\geq 1\%$  (w/w) 或在气体混合物中占体积 $\geq 0.2\%$ , 或

(b) PBT或vPvB物质, 在固体或液体混合物(即非气体混合物)中个别浓度 $\geq 0.1\%$  (w/w), 或

(c) 授权审议的高关注物质候选清单上的物质(除上述以外的原因)在个别非气体混合物中的浓度 $\geq 0.1\%$  (w/w), 或



Unless otherwise agreed in writing, this document is issued by the Company subject to its General Conditions of Service printed overleaf, available on request or accessible at <http://www.sgs.com/en/Terms-and-Conditions.aspx> and, for electronic format documents, subject to Terms and Conditions for Electronic Documents at <http://www.sgs.com/en/Terms-and-Conditions/Terms-e-Documents.aspx>. Attention is drawn to the limitation of liability, indemnification and jurisdiction issues defined therein. Any holder of this document is advised that information contained hereon reflects the Company's findings at the time of its intervention only and within the limits of Client's instructions, if any. The Company's sole responsibility is to its Client and this document does not exonerate parties to a transaction from exercising all their rights and obligations under the transaction documents. This document cannot be reproduced except in full, without prior written approval of the Company. Any unauthorized alteration, forgery or falsification of the content or appearance of this document is unlawful and offenders may be prosecuted to the fullest extent of the law. Unless otherwise stated the results shown in this test report refer only to the sample(s) tested.

Attention: To check the authenticity of testing / inspection report & certificate, please contact us at telephone: (86-755) 8307 1443, or email: [CN.Doccheck@sgs.com](mailto:CN.Doccheck@sgs.com)

3<sup>rd</sup> Building, No.889 Yishan Road Xuhui District, Shanghai China 200233 t E&E (86-21) 61402553 f E&E (86-21) 64953679 www.sgs.com.cn  
中国·上海·徐汇区宜山路889号3号楼 邮编: 200233 t HL (86-21) 61402594 f HL (86-21) 61156899 e sgs.china@sgs.com

## 检测报告 (SVHC)

编号: SHAEC2215227002

日期: 2022年11月01日 第3页,共19页

(d) 设有欧洲范围内工作场所接触限值的物质。

3. 如果样品中SVHC的检测结果显示超过报告限, 建议客户进一步定量分析检测含有SVHC的组分并且得到SVHC物质的准确浓度。

### 检测样品:

#### 检测样品描述:

样品 编号	SGS 样品ID	描述
SN1	SHA22-152270.006	铜色金属

### 检测方法:

SGS内部方法-SHTC-CHEM-SOP-97-T, SHTC-CHEM-SOP-302-T, 采用 ICP-OES、UV-VIS、GC-MS、HPLC-DAD/MS 和比色法分析。



Unless otherwise agreed in writing, this document is issued by the Company subject to its General Conditions of Service printed overleaf, available on request or accessible at <http://www.sgs.com/en/Terms-and-Conditions.aspx> and, for electronic format documents, subject to Terms and Conditions for Electronic Documents at <http://www.sgs.com/en/Terms-and-Conditions/Terms-e-Documents.aspx>. Attention is drawn to the limitation of liability, indemnification and jurisdiction issues defined therein. Any holder of this document is advised that information contained hereon reflects the Company's findings at the time of its intervention only and within the limits of Client's instructions, if any. The Company's sole responsibility is to its Client and this document does not exonerate parties to a transaction from exercising all their rights and obligations under the transaction documents. This document cannot be reproduced except in full, without prior written approval of the Company. Any unauthorized alteration, forgery or falsification of the content or appearance of this document is unlawful and offenders may be prosecuted to the fullest extent of the law. Unless otherwise stated the results shown in this test report refer only to the sample(s) tested.

Attention: To check the authenticity of testing / inspection report & certificate, please contact us at telephone: (86-755) 8307 1443, or email: [CN.Doccheck@sgs.com](mailto:CN.Doccheck@sgs.com)

SGS CSTC (Shanghai) Co., Ltd.  
Testing Center - China

3<sup>rd</sup> Building, No. 889 Yishan Road Xuhui District, Shanghai China 200233  
中国·上海·徐汇区宜山路889号3号楼 邮编: 200233

t E&E (86-21) 61402553 f E&E (86-21) 64953679 www.sgs.com.cn  
t HL (86-21) 61402594 f HL (86-21) 61156899 e sgs.china@sgs.com



## 检测报告 (SVHC)

编号: SHAEC2215227002

日期: 2022年11月01日 第4页,共19页

### 检测结果: (SVHC候选清单中的高关注物质)

批次	物质名称	CAS No.	006 浓度 (%)	RL (%)
-	所有检测的候选清单中的SVHC	-	ND	-

### 检测结果: (潜在的SVHC)

批次	物质名称	CAS No.	006 浓度 (%)	RL (%)
-	所有检测的潜在的SVHC	-	ND	-



Unless otherwise agreed in writing, this document is issued by the Company subject to its General Conditions of Service printed overleaf, available on request or accessible at <http://www.sgs.com/en/Terms-and-Conditions.aspx> and, for electronic format documents, subject to Terms and Conditions for Electronic Documents at <http://www.sgs.com/en/Terms-and-Conditions/Terms-e-Document.aspx>. Attention is drawn to the limitation of liability, indemnification and jurisdiction issues defined therein. Any holder of this document is advised that information contained hereon reflects the Company's findings at the time of its intervention only and within the limits of Client's instructions, if any. The Company's sole responsibility is to its Client and this document does not exonerate parties to a transaction from exercising all their rights and obligations under the transaction documents. This document cannot be reproduced except in full, without prior written approval of the Company. Any unauthorized alteration, forgery or falsification of the content or appearance of this document is unlawful and offenders may be prosecuted to the fullest extent of the law. Unless otherwise stated the results shown in this test report refer only to the sample(s) tested.

Attention: To check the authenticity of testing / inspection report & certificate, please contact us at telephone: (86-755) 8307 1443, or email: [CN.Doccheck@sgs.com](mailto:CN.Doccheck@sgs.com)

SGS-CSTC (Shanghai) Technical Services Co., Ltd.  
Testing Center - China Branch

3<sup>rd</sup> Building, No. 889 Yishan Road Xuhui District, Shanghai China 200233  
中国·上海·徐汇区宜山路889号3号楼 邮编: 200233

t E&E (86-21) 61402553 f E&E (86-21) 64953679 www.sgsgroup.com.cn  
t HL (86-21) 61402594 f HL (86-21) 61156899 e sgs.china@sgs.com

## 检测报告 (SVHC)

编号: SHAEC2215227002

日期: 2022年11月01日 第5页,共19页

### 注释:

- (1) 上表仅显示检出的SVHC, 低于RL的SVHC没有列出。所有检测的SVHC请参见附录。
- (2) RL = 报告限 (当检测结果  $\geq$  RL时显示数据。RL不同于法规限值。)  
ND = 未检出 ( $<$  RL), ND针对SVHC物质。
- (3) \* 检测结果是由选定的元素的结果并基于最坏的情况计算得出;  
\*\* 检测结果是由选定的标记物的结果并基于最坏的情况计算得出。  
硼化合物的结果由ICP-OES检测的水提取硼元素结果换算得出。  
四氧化二硼钡的结果由ICP-OES检测的水提取硼和钡元素结果换算得出。  
RL = 0.005% 是针对元素 (例如钴、砷、铅、铬 (VI)、铝、锆、硼、锑、锌、铋、钛、钡、镉), 除了钼的RL= 0.0005%, 硼的RL= 0.0025% (仅对四氟硼酸铅), 氟的RL=0.050%。
- (4) § 只有当物质包含米氏酮(CAS No.: 90-94-8) 或米氏碱(CAS No.: 101-61-1) 的浓度  $\geq$  0.1%(w / w) 的情况下, 该物质才被提议定为SVHC。
- (5) / = 潜在的SVHC  
除非另有说明, 参照ILAC-G8:09/2019, 使用简单接受 ( $w=0$ ) 的二元判定规则进行符合性判定。  
除非另有说明, 此报告结果仅对检测的样品负责。本报告未经本公司书面许可, 不可部分复制。  
检测报告仅用于客户科研、教学、内部质量控制、产品研发等目的, 仅供内部参考。



Unless otherwise agreed in writing, this document is issued by the Company subject to its General Conditions of Service printed overleaf, available on request or accessible at <http://www.sgs.com/en/Terms-and-Conditions.aspx> and, for electronic format documents, subject to Terms and Conditions for Electronic Documents at <http://www.sgs.com/en/Terms-and-Conditions/Terms-e-Documents.aspx>. Attention is drawn to the limitation of liability, indemnification and jurisdiction issues defined therein. Any holder of this document is advised that information contained hereon reflects the Company's findings at the time of its intervention only and within the limits of Client's instructions, if any. The Company's sole responsibility is to its Client and this document does not exonerate parties to a transaction from exercising all their rights and obligations under the transaction documents. This document cannot be reproduced except in full, without prior written approval of the Company. Any unauthorized alteration, forgery or falsification of the content or appearance of this document is unlawful and offenders may be prosecuted to the fullest extent of the law. Unless otherwise stated the results shown in this test report refer only to the sample(s) tested.

Attention: To check the authenticity of testing / inspection report & certificate, please contact us at telephone: (86-755) 8307 1443, or email: [CN.Doccheck@sgs.com](mailto:CN.Doccheck@sgs.com)

SGS-CSTC (Shanghai) Co., Ltd.  
Testing Center - China

3<sup>rd</sup> Building, No. 889 Yishan Road Xuhui District, Shanghai China 200233  
中国·上海·徐汇区宜山路889号3号楼 邮编: 200233

t E&E (86-21) 61402553 f E&E (86-21) 64953679 www.sgs.com.cn  
t HL (86-21) 61402594 f HL (86-21) 61156899 e sgs.china@sgs.com

## 检测报告 (SVHC)

编号: SHAEC2215227002

日期: 2022年11月01日 第6页,共19页

### 附录

所有检测的SVHC:

批次	序号	物质名称	CAS No.	RL (%)
I	1	4,4'-二氨基二苯甲烷(MDA)	101-77-9	0.050
I	2	2,4,6-三硝基-5-叔丁基间二甲苯(二甲苯麝香)	81-15-2	0.050
I	3	C10-13 氯代烃(短链氯化石蜡)	85535-84-8	0.050
I	4	蒽	120-12-7	0.050
I	5	邻苯二甲酸丁苄酯(BBP)	85-68-7	0.050
I	6	邻苯二甲酸二(2-乙基己基)酯(DEHP)	117-81-7	0.050
I	7	氧化双三丁基锡(TBTO)	56-35-9	0.050
I	8	二氯化钴*	7646-79-9	0.005
I	9	五氧化二砷*	1303-28-2	0.005
I	10	三氧化二砷*	1327-53-3	0.005
I	11	邻苯二甲酸二丁酯(DBP)	84-74-2	0.050
I	12	六溴环十二烷(HBCDD) 及其非对映异构体( $\alpha$ -HBCDD, $\beta$ -HBCDD, $\gamma$ -HBCDD)	-	0.050
I	13	砷酸氢铅*	7784-40-9	0.005
I	14	重铬酸钠*	7789-12-0, 10588-01-9	0.005
I	15	三乙基砷酸酯*	15606-95-8	0.005
II	16	2,4-二硝基甲苯	121-14-2	0.050
II	17	丙烯酰胺	79-06-1	0.050
II	18	蒽油**	90640-80-5	0.050
II	19	蒽油, 蒽糊**	90640-81-6	0.050
II	20	蒽油, 蒽糊, 蒽馏分**	91995-15-2	0.050



Unless otherwise agreed in writing, this document is issued by the Company subject to its General Conditions of Service printed overleaf, available on request or accessible at <http://www.sgs.com/en/Terms-and-Conditions.aspx> and, for electronic format documents, subject to Terms and Conditions for Electronic Documents at <http://www.sgs.com/en/Terms-and-Conditions/Terms-e-Documents.aspx>. Attention is drawn to the limitation of liability, indemnification and jurisdiction issues defined therein. Any holder of this document is advised that information contained hereon reflects the Company's findings at the time of its intervention only and within the limits of Client's instructions, if any. The Company's sole responsibility is to its Client and this document does not exonerate parties to a transaction from exercising all their rights and obligations under the transaction documents. This document cannot be reproduced except in full, without prior written approval of the Company. Any unauthorized alteration, forgery or falsification of the content or appearance of this document is unlawful and offenders may be prosecuted to the fullest extent of the law. Unless otherwise stated the results shown in this test report refer only to the sample(s) tested.

Attention: To check the authenticity of testing / inspection report & certificate, please contact us at telephone: (86-755) 8307 1443, or email: [CN.Doccheck@sgs.com](mailto:CN.Doccheck@sgs.com)  
 3<sup>rd</sup> Building, No.889 Yishan Road Xuhui District, Shanghai China 200233 t E&E (86-21) 61402553 f E&E (86-21) 64953679 www.sgs.com.cn  
 中国·上海·徐汇区宜山路889号3号楼 邮编: 200233 t HL (86-21) 61402594 f HL (86-21) 61156899 e [sgs.china@sgs.com](mailto:sgs.china@sgs.com)

检测报告  
(SVHC)

编号: SHAEC2215227002

日期: 2022年11月01日 第7页,共19页

附录

所有检测的SVHC:

批次	序号	物质名称	CAS No.	RL (%)
II	21	葱油, 葱糊, 轻油**	91995-17-4	0.050
II	22	葱油, 含葱量少**	90640-82-7	0.050
II	23	邻苯二甲酸二异丁酯	84-69-5	0.050
II	24	钼铬红(C.I.颜料红104)*	12656-85-8	0.005
II	25	铬酸铅*	7758-97-6	0.005
II	26	铅铬黄(C.I.颜料黄34)*	1344-37-2	0.005
II	27	沥青, 煤焦油, 高温**	65996-93-2	0.050
II	28	磷酸三(2-氯乙基)酯	115-96-8	0.050
III	29	重铬酸铵*	7789-09-5	0.005
III	30	硼酸*	-	0.005
III	31	无水四硼酸钠*	1303-96-4, 1330-43-4, 12179-04-3	0.005
III	32	铬酸钾*	7789-00-6	0.005
III	33	重铬酸钾*	7778-50-9	0.005
III	34	铬酸钠*	7775-11-3	0.005
III	35	水合硼酸钠*	12267-73-1	0.005
III	36	三氯乙烯	79-01-6	0.050
IV	37	乙二醇乙醚	110-80-5	0.050
IV	38	乙二醇单甲醚	109-86-4	0.050
IV	39	铬酸, 铬酸及重铬酸低聚物, 重铬酸*	-	0.005



Unless otherwise agreed in writing, this document is issued by the Company subject to its General Conditions of Service printed overleaf, available on request or accessible at <http://www.sgs.com/en/Terms-and-Conditions.aspx> and, for electronic format documents, subject to Terms and Conditions for Electronic Documents at <http://www.sgs.com/en/Terms-and-Conditions/Terms-e-Documents.aspx>. Attention is drawn to the limitation of liability, indemnification and jurisdiction issues defined therein. Any holder of this document is advised that information contained hereon reflects the Company's findings at the time of its intervention only and within the limits of Client's instructions, if any. The Company's sole responsibility is to its Client and this document does not exonerate parties to a transaction from exercising all their rights and obligations under the transaction documents. This document cannot be reproduced except in full, without prior written approval of the Company. Any unauthorized alteration, forgery or falsification of the content or appearance of this document is unlawful and offenders may be prosecuted to the fullest extent of the law. Unless otherwise stated the results shown in this test report refer only to the sample(s) tested.

Attention: To check the authenticity of testing /inspection report & certificate, please contact us at telephone: (86-755) 8307 1443, or email: [CN.Doccheck@sgs.com](mailto:CN.Doccheck@sgs.com)  
 3<sup>rd</sup> Building, No.889 Yishan Road Xuhui District, Shanghai China 200233 t E&E (86-21) 61402553 f E&E (86-21) 64953679 www.sgs.com.cn  
 中国·上海·徐汇区宜山路889号3号楼 邮编: 200233 t HL (86-21) 61402594 f HL (86-21) 61156899 e sgs.china@sgs.com

检测报告  
(SVHC)

编号: SHAEC2215227002

日期: 2022年11月01日 第8页,共19页

附录

所有检测的SVHC:

批次	序号	物质名称	CAS No.	RL (%)
IV	40	三氧化铬*	1333-82-0	0.005
IV	41	碳酸钴*	513-79-1	0.005
IV	42	乙酸钴*	71-48-7	0.005
IV	43	硝酸钴*	10141-05-6	0.005
IV	44	硫酸钴*	10124-43-3	0.005
V	45	1,2,3-三氯丙烷	96-18-4	0.050
V	46	1,2-苯二酸-二(C6-8支链)烷基酯(富C7)	71888-89-6	0.050
V	47	1,2-苯二酸-二(C7-11支链与直链)烷基(醇)酯	68515-42-4	0.050
V	48	1-甲基-2-吡咯烷酮	872-50-4	0.050
V	49	乙二醇乙醚醋酸酯	111-15-9	0.050
V	50	联氨	7803-57-8, 302-01-2	0.050
V	51	铬酸铯*	7789-06-2	0.005
VI	52	1,2-二氯乙烷	107-06-2	0.050
VI	53	4,4'-二氨基-3,3'-二氯二苯甲烷	101-14-4	0.050
VI	54	2-甲氧基苯胺	90-04-0	0.050
VI	55	对特辛基苯酚	140-66-9	0.050
VI	56	硅酸铝耐火陶瓷纤维*	-	0.005
VI	57	砷酸*	7778-39-4	0.005
VI	58	二乙二醇二甲醚	111-96-6	0.050
VI	59	邻苯二甲酸二甲氧基乙酯	117-82-8	0.050



Unless otherwise agreed in writing, this document is issued by the Company subject to its General Conditions of Service printed overleaf, available on request or accessible at <http://www.sgs.com/en/Terms-and-Conditions.aspx> and, for electronic format documents, subject to Terms and Conditions for Electronic Documents at <http://www.sgs.com/en/Terms-and-Conditions/Terms-e-Documents.aspx>. Attention is drawn to the limitation of liability, indemnification and jurisdiction issues defined therein. Any holder of this document is advised that information contained hereon reflects the Company's findings at the time of its intervention only and within the limits of Client's instructions, if any. The Company's sole responsibility is to its Client and this document does not exonerate parties to a transaction from exercising all their rights and obligations under the transaction documents. This document cannot be reproduced except in full, without prior written approval of the Company. Any unauthorized alteration, forgery or falsification of the content or appearance of this document is unlawful and offenders may be prosecuted to the fullest extent of the law. Unless otherwise stated the results shown in this test report refer only to the sample(s) tested.

Attention: To check the authenticity of testing / inspection report & certificate, please contact us at telephone: (86-755) 8307 1443, or email: [CN.Doccheck@sgs.com](mailto:CN.Doccheck@sgs.com)  
 3<sup>rd</sup> Building, No.889 Yishan Road Xuhui District, Shanghai China 200233 t E&E (86-21) 61402553 f E&E (86-21) 64953679 www.sgs.com  
 中国·上海·徐汇区宜山路889号3号楼 邮编: 200233 t HL (86-21) 61402594 f HL (86-21) 61156899 e [sgs.china@sgs.com](mailto:sgs.china@sgs.com)

## 检测报告 (SVHC)

编号: SHAEC2215227002

日期: 2022年11月01日 第9页,共19页

附录

所有检测的SVHC:

批次	序号	物质名称	CAS No.	RL (%)
VI	60	砷酸钙*	7778-44-1	0.005
VI	61	铬酸铬*	24613-89-6	0.005
VI	62	甲醛与苯胺的低聚物	25214-70-4	0.050
VI	63	叠氮化铅*	13424-46-9	0.005
VI	64	苦味酸铅*	6477-64-1	0.005
VI	65	史蒂芬酸铅*	15245-44-0	0.005
VI	66	N,N-二甲基乙酰胺	127-19-5	0.050
VI	67	氢氧化铬酸锌*	49663-84-5	0.005
VI	68	酚酞	77-09-8	0.050
VI	69	氢氧化铬酸锌钾*	11103-86-9	0.005
VI	70	砷酸铅*	3687-31-8	0.005
VI	71	氧化锆硅酸铝耐火陶瓷纤维*	-	0.005
VII	72	C.I.碱性蓝26§	2580-56-5	0.050
VII	73	C.I.碱性紫3§	548-62-9	0.050
VII	74	三乙二醇二甲醚(TEGDME)	112-49-2	0.050
VII	75	乙二醇二甲醚(EGDME)	110-71-4	0.050
VII	76	4,4'-二(二甲氨基)二苯甲酮(米氏酮)	90-94-8	0.050
VII	77	4,4'-二(二甲氨基)-4''-氨基三苯甲醇§	561-41-1	0.050
VII	78	三氧化二硼*	1303-86-2	0.005
VII	79	甲酰胺	75-12-7	0.050
VII	80	甲基磺酸铅*	17570-76-2	0.005



Unless otherwise agreed in writing, this document is issued by the Company subject to its General Conditions of Service printed overleaf, available on request or accessible at <http://www.sgs.com/en/Terms-and-Conditions.aspx> and, for electronic format documents, subject to Terms and Conditions for Electronic Documents at <http://www.sgs.com/en/Terms-and-Conditions/Terms-e-Documents.aspx>. Attention is drawn to the limitation of liability, indemnification and jurisdiction issues defined therein. Any holder of this document is advised that information contained hereon reflects the Company's findings at the time of its intervention only and within the limits of Client's instructions, if any. The Company's sole responsibility is to its Client and this document does not exonerate parties to a transaction from exercising all their rights and obligations under the transaction documents. This document cannot be reproduced except in full, without prior written approval of the Company. Any unauthorized alteration, forgery or falsification of the content or appearance of this document is unlawful and offenders may be prosecuted to the fullest extent of the law. Unless otherwise stated the results shown in this test report refer only to the sample(s) tested.

Attention: To check the authenticity of testing / inspection report & certificate, please contact us at telephone: (86-755) 8307 1443, or email: [CN.Doccheck@sgs.com](mailto:CN.Doccheck@sgs.com)

SGS-CSTC (Shanghai) Technical Services (Shanghai) Co., Ltd.  
Testing Center - Client's Property

3rd Building, No.889 Yishan Road Xuhui District, Shanghai China 200233  
中国·上海·徐汇区宜山路889号3号楼 邮编: 200233

t E&E (86-21) 61402553 f E&E (86-21) 64953679 www.sgs.com.cn  
t HL (86-21) 61402594 f HL (86-21) 61156899 e sgs.china@sgs.com

# 检测报告 (SVHC)

编号: SHAEC2215227002

日期: 2022年11月01日 第10页,共19页

附录

所有检测的SVHC:

批次	序号	物质名称	CAS No.	RL (%)
VII	81	N,N,N',N'-四甲基-4,4'-二氨基二苯甲烷(米氏碱)	101-61-1	0.050
VII	82	1,3,5-三(环氧乙基甲基)-1,3,5-三嗪-2,4,6-(1H, 3H,5H)- 三酮(TGIC)	2451-62-9	0.050
VII	83	C.I.溶剂蓝4§	6786-83-0	0.050
VII	84	1,3,5-三-[(2S和2R)-2,3-环氧丙基]-1,3,5-三嗪-2,4,6-(1H, 3H, 5H)-三酮(β-TGIC)	59653-74-6	0.050
VIII	85	二盐基邻苯二甲酸铅*	69011-06-9	0.005
VIII	86	1,2-苯二酸-二(支链与直链)戊基酯	84777-06-0	0.050
VIII	87	乙二醇二乙醚	629-14-1	0.050
VIII	88	1-溴丙烷	106-94-5	0.050
VIII	89	3-乙基-2-甲基-2-(3-甲基丁基)-1,3-恶唑烷	143860-04-2	0.050
VIII	90	对特辛基苯酚乙氧基醚	-	0.050
VIII	91	4,4'-二氨基-3,3'-二甲基二苯甲烷	838-88-0	0.050
VIII	92	4,4'-二氨基二苯醚及其盐	101-80-4	0.050
VIII	93	4-氨基偶氮苯	60-09-3	0.050
VIII	94	2,4-二氨基甲苯	95-80-7	0.050
VIII	95	4-壬基(支链与直链)苯酚	-	0.050
VIII	96	2-甲氧基-5-甲基苯胺	120-71-8	0.050
VIII	97	碱式乙酸铅*	51404-69-4	0.005
VIII	98	4-氨基联苯	92-67-1	0.050
VIII	99	十溴二苯醚(DecaBDE)	1163-19-5	0.050
VIII	100	环己烷-1,2-二羧酸酐,顺式-环己烷-1,2-二羧酸酐,反式-环己烷-1,2-二羧酸酐	-	0.050



Unless otherwise agreed in writing, this document is issued by the Company subject to its General Conditions of Service printed overleaf, available on request or accessible at <http://www.sgs.com/en/Terms-and-Conditions.aspx> and, for electronic format documents, subject to Terms and Conditions for Electronic Documents at <http://www.sgs.com/en/Terms-and-Conditions/Terms-e-Documents.aspx>. Attention is drawn to the limitation of liability, indemnification and jurisdiction issues defined therein. Any holder of this document is advised that information contained hereon reflects the Company's findings at the time of its intervention only and within the limits of Client's instructions, if any. The Company's sole responsibility is to its Client and this document does not exonerate parties to a transaction from exercising all their rights and obligations under the transaction documents. This document cannot be reproduced except in full, without prior written approval of the Company. Any unauthorized alteration, forgery or falsification of the content or appearance of this document is unlawful and offenders may be prosecuted to the fullest extent of the law. Unless otherwise stated the results shown in this test report refer only to the sample(s) tested.

Attention: To check the authenticity of testing / inspection report & certificate, please contact us at telephone: (86-755) 8307 1443, or email: [CN.Doccheck@sgs.com](mailto:CN.Doccheck@sgs.com)  
 3\* Building, No.889 Yishan Road Xuhui District, Shanghai China 200233 tE&E (86-21) 61402553 fE&E (86-21) 64953679 www.sgs.com.cn  
 中国·上海·徐汇区宜山路889号3号楼 邮编: 200233 tHL (86-21) 61402594 fHL (86-21) 61156899 e [sgs.china@sgs.com](mailto:sgs.china@sgs.com)

检测报告  
(SVHC)

编号: SHAEC2215227002

日期: 2022年11月01日 第11页,共19页

附录

所有检测的SVHC:

批次	序号	物质名称	CAS No.	RL (%)
VIII	101	偶氮二甲酰胺	123-77-3	0.050
VIII	102	二丁基二氯化锡(DBTC)	683-18-1	0.050
VIII	103	硫酸二乙酯	64-67-5	0.050
VIII	104	邻苯二甲酸二异戊酯	605-50-5	0.050
VIII	105	硫酸二甲酯	77-78-1	0.050
VIII	106	地乐酚	88-85-7	0.050
VIII	107	双(十八烷基)二氧代三铅*	12578-12-0	0.005
VIII	108	C16-18-脂肪酸铅*	91031-62-8	0.005
VIII	109	呋喃	110-00-9	0.050
VIII	110	全氟十一烷酸	2058-94-8	0.050
VIII	111	全氟十四烷酸	376-06-7	0.050
VIII	112	甲基六氢邻苯二甲酸酐,4-甲基六氢邻苯二甲酸酐,1-甲基六氢邻苯二甲酸酐,3-甲基六氢邻苯二甲酸酐	-	0.050
VIII	113	四氟硼酸铅*	13814-96-5	0.005
VIII	114	氨基氰铅盐*	20837-86-9	0.005
VIII	115	硝酸铅*	10099-74-8	0.005
VIII	116	一氧化铅*	1317-36-8	0.005
VIII	117	碱式硫酸铅*	12036-76-9	0.005
VIII	118	四氧化三铅*	1314-41-6	0.005
VIII	119	钛酸铅*	12060-00-3	0.005
VIII	120	钛酸铅铅*	12626-81-2	0.005



Unless otherwise agreed in writing, this document is issued by the Company subject to its General Conditions of Service printed overleaf, available on request or accessible at <http://www.sgs.com/en/Terms-and-Conditions.aspx> and, for electronic format documents, subject to Terms and Conditions for Electronic Documents at <http://www.sgs.com/en/Terms-and-Conditions/Terms-e-Documents.aspx>. Attention is drawn to the limitation of liability, indemnification and jurisdiction issues defined therein. Any holder of this document is advised that information contained hereon reflects the Company's findings at the time of its intervention only and within the limits of Client's instructions, if any. The Company's sole responsibility is to its Client and this document does not exonerate parties to a transaction from exercising all their rights and obligations under the transaction documents. This document cannot be reproduced except in full, without prior written approval of the Company. Any unauthorized alteration, forgery or falsification of the content or appearance of this document is unlawful and offenders may be prosecuted to the fullest extent of the law. Unless otherwise stated the results shown in this test report refer only to the sample(s) tested.

Attention: To check the authenticity of testing / inspection report & certificate, please contact us at telephone: (86-755) 8307 1443, or email: [CN.Doccheck@sgs.com](mailto:CN.Doccheck@sgs.com)  
 3<sup>rd</sup> Building, No.889 Yishan Road Xuhui District, Shanghai China 200233 t E&E (86-21) 61402553 f E&E (86-21) 64953679 www.sgs.com.cn  
 中国·上海·徐汇区宜山路889号3号楼 邮编: 200233 t HL (86-21) 61402594 f HL (86-21) 61156899 e [sgs.china@sgs.com](mailto:sgs.china@sgs.com)



# 检测报告 (SVHC)

编号: SHAEC2215227002

日期: 2022年11月01日 第12页,共19页

附录

所有检测的SVHC:

批次	序号	物质名称	CAS No.	RL (%)
VIII	121	甲氧基乙酸	625-45-6	0.050
VIII	122	1,2-环氧丙烷	75-56-9	0.050
VIII	123	N,N-二甲基甲酰胺	68-12-2	0.050
VIII	124	N-甲基乙酰胺	79-16-3	0.050
VIII	125	邻苯二甲酸正戊基异戊基酯	776297-69-9	0.050
VIII	126	邻-氨基偶氮甲苯	97-56-3	0.050
VIII	127	2-氨基甲苯	95-53-4	0.050
VIII	128	全氟十三烷酸	72629-94-8	0.050
VIII	129	硫酸四氧化五铅*	12065-90-6	0.005
VIII	130	铅锑黄*	8012-00-8	0.005
VIII	131	掺杂铅的硅酸钡*	68784-75-8	0.005
VIII	132	硅酸铅*	11120-22-2	0.005
VIII	133	二碱式亚硫酸铅*	62229-08-7	0.005
VIII	134	四乙基铅*	78-00-2	0.005
VIII	135	硫酸三氧化四铅*	12202-17-4	0.005
VIII	136	全氟十二烷酸	307-55-1	0.050
VIII	137	碱式碳酸铅*	1319-46-6	0.005
VIII	138	二碱式亚磷酸铅*	12141-20-7	0.005
IX	139	4-壬基(支链与直链)苯酚乙氧基醚	-	0.050
IX	140	全氟辛酸铵(APFO)**	3825-26-1	0.050
IX	141	氧化镉*	1306-19-0	0.005



Unless otherwise agreed in writing, this document is issued by the Company subject to its General Conditions of Service printed overleaf, available on request or accessible at <http://www.sgs.com/en/Terms-and-Conditions.aspx> and, for electronic format documents, subject to Terms and Conditions for Electronic Documents at <http://www.sgs.com/en/Terms-and-Conditions/Terms-e-Document.aspx>. Attention is drawn to the limitation of liability, indemnification and jurisdiction issues defined therein. Any holder of this document is advised that information contained hereon reflects the Company's findings at the time of its intervention only and within the limits of Client's instructions, if any. The Company's sole responsibility is to its Client and this document does not exonerate parties to a transaction from exercising all their rights and obligations under the transaction documents. This document cannot be reproduced except in full, without prior written approval of the Company. Any unauthorized alteration, forgery or falsification of the content or appearance of this document is unlawful and offenders may be prosecuted to the fullest extent of the law. Unless otherwise stated the results shown in this test report refer only to the sample(s) tested.

Attention: To check the authenticity of testing / inspection report & certificate, please contact us at telephone: (86-755) 8307 1443, or email: [CN.Doccheck@sgs.com](mailto:CN.Doccheck@sgs.com)  
 3\* Building, No. 889 Yishan Road Xuhui District, Shanghai China 200233 t E&E (86-21) 61402553 f E&E (86-21) 64953679 www.sgs.com.cn  
 中国·上海·徐汇区宜山路889号3号楼 邮编: 200233 t HL (86-21) 61402594 f HL (86-21) 61156899 e [sgs.china@sgs.com](mailto:sgs.china@sgs.com)

# 检测报告 (SVHC)

编号: SHAEC2215227002

日期: 2022年11月01日 第13页,共19页

附录

所有检测的SVHC:

批次	序号	物质名称	CAS No.	RL (%)
IX	142	镉	7440-43-9	0.005
IX	143	邻苯二甲酸二正戊酯(DPP)	131-18-0	0.050
IX	144	全氟辛酸(PFOA)	335-67-1	0.050
X	145	硫化镉*	1306-23-6	0.005
X	146	邻苯二甲酸二正己酯	84-75-3	0.050
X	147	C.I.直接红28	573-58-0	0.050
X	148	C.I.直接黑38	1937-37-7	0.050
X	149	2-巯基咪唑啉	96-45-7	0.050
X	150	乙酸铅*	301-04-2	0.005
X	151	磷酸三二甲苯酯	25155-23-1	0.050
XI	152	邻苯二甲酸二(支链与直链)己基酯	68515-50-4	0.050
XI	153	氯化镉*	10108-64-2	0.005
XI	154	水合过硼酸钠*	-	0.005
XI	155	过硼酸钠*	7632-04-4	0.005
XII	156	2-(2H-苯并三唑-2-基)-4,6-二叔戊基苯酚(UV-328)	25973-55-1	0.050
XII	157	2-苯并三唑-2-基-4,6-二叔丁基苯酚(UV-320)	3846-71-7	0.050
XII	158	二正辛基-双(2-乙基己基巯基乙酸酯)锡 (DOTE)	15571-58-1	0.050
XII	159	氟化镉*	7790-79-6	0.005
XII	160	硫酸镉*	10124-36-4,31119-53 -6	0.005
XII	161	二正辛基-双(2-乙基己基巯基乙酸酯)锡(DOTE)和单辛基-三(2-乙基己基巯基乙酸酯)锡(MOTE)的反应物	-	0.050



Unless otherwise agreed in writing, this document is issued by the Company subject to its General Conditions of Service printed overleaf, available on request or accessible at <http://www.sgs.com/en/Terms-and-Conditions.aspx> and, for electronic format documents, subject to Terms and Conditions for Electronic Documents at <http://www.sgs.com/en/Terms-and-Conditions/Terms-e-Documents.aspx>. Attention is drawn to the limitation of liability, indemnification and jurisdiction issues defined therein. Any holder of this document is advised that information contained hereon reflects the Company's findings at the time of its intervention only and within the limits of Client's instructions, if any. The Company's sole responsibility is to its Client and this document does not exonerate parties to a transaction from exercising all their rights and obligations under the transaction documents. This document cannot be reproduced except in full, without prior written approval of the Company. Any unauthorized alteration, forgery or falsification of the content or appearance of this document is unlawful and offenders may be prosecuted to the fullest extent of the law. Unless otherwise stated the results shown in this test report refer only to the sample(s) tested.

Attention: To check the authenticity of testing / inspection report & certificate, please contact us at telephone: (86-755) 8307 1443, or email: [CN.Doccheck@sgs.com](mailto:CN.Doccheck@sgs.com)

SGS-CSTC (Shanghai) Technical Services (Shanghai) Co., Ltd.  
Testing Center - Client's Property

3<sup>rd</sup> Building, No.889 Yishan Road Xuhui District, Shanghai China 200233  
中国·上海·徐汇区宜山路889号3号楼 邮编: 200233

t E&E (86-21) 61402553 f E&E (86-21) 64953679 www.sgs.com.cn  
t HL (86-21) 61402594 f HL (86-21) 61156899 e sgs.china@sgs.com

# 检测报告 (SVHC)

编号: SHAEC2215227002

日期: 2022年11月01日 第14页,共19页

附录

所有检测的SVHC:

批次	序号	物质名称	CAS No.	RL (%)
XIII	162	1,2-苯二甲酸, 二(C6-10)烷基酯 / 1,2-苯二甲酸, 混合二己二辛二癸酯, 其中邻苯二甲酸二己酯含量≥0.3%	-	0.050
XIII	163	5-二级丁基-2-(2,4-二甲基环己-3-烯-1-基)-5-甲基-1,3-二恶烷[1], 5-二级丁基-2-(4,6-二甲基环己-3-烯-1-基)-5-甲基-1,3-二恶烷[2] [任何[1]和[2]或者其任意组合的单独异构体或其任何组合]	-	0.050
XIV	164	1,3-丙磺酸内酯	1120-71-4	0.050
XIV	165	2,4-二叔丁基-6-(5-氯苯并三唑-2-基)苯酚(UV-327)	3864-99-1	0.050
XIV	166	2-(2H-苯并三唑-2-基)-4-叔丁基-6-仲丁基苯酚 (UV-350)	36437-37-3	0.050
XIV	167	硝基苯	98-95-3	0.050
XIV	168	全氟壬酸及其钠盐和铵盐	-	0.050
XV	169	苯并(a)芘	50-32-8	0.050
XVI	170	4,4'-异亚丙基联苯酚 (双酚A)	80-05-7	0.050
XVI	171	4-庚基(支链与直链)苯酚	-	0.050
XVI	172	全氟癸酸 (PFDA) 及其钠盐和铵盐	-	0.050
XVI	173	对叔戊基苯酚	80-46-6	0.050
XVII	174	全氟己烷-1-磺酸及其盐	-	0.050
XVIII	175	双(六氯环戊二烯)环辛烷(包含任何顺式与反式同分异构体或其组合)	-	0.050
XVIII	176	苯并葱(BaA)	56-55-3	0.050
XVIII	177	硝酸镉*	10325-94-7	0.005
XVIII	178	碳酸镉*	513-78-0	0.005
XVIII	179	氢氧化镉*	21041-95-2	0.005
XVIII	180	屈(CHR)	218-01-9	0.050



Unless otherwise agreed in writing, this document is issued by the Company subject to its General Conditions of Service printed overleaf, available on request or accessible at <http://www.sgs.com/en/Terms-and-Conditions.aspx> and, for electronic format documents, subject to Terms and Conditions for Electronic Documents at <http://www.sgs.com/en/Terms-and-Conditions/Terms-e-Documents.aspx>. Attention is drawn to the limitation of liability, indemnification and jurisdiction issues defined therein. Any holder of this document is advised that information contained hereon reflects the Company's findings at the time of its intervention only and within the limits of Client's instructions, if any. The Company's sole responsibility is to its Client and this document does not exonerate parties to a transaction from exercising all their rights and obligations under the transaction documents. This document cannot be reproduced except in full, without prior written approval of the Company. Any unauthorized alteration, forgery or falsification of the content or appearance of this document is unlawful and offenders may be prosecuted to the fullest extent of the law. Unless otherwise stated the results shown in this test report refer only to the sample(s) tested.

Attention: To check the authenticity of testing / inspection report & certificate, please contact us at telephone: (86-755) 8307 1443, or email: [CN.Doccheck@sgs.com](mailto:CN.Doccheck@sgs.com)

SGS-CSTC (Shanghai) Technical Services (Shanghai) Co., Ltd.  
Testing Center - Client Responsibility

3<sup>rd</sup> Building, No. 889 Yishan Road Xuhui District, Shanghai China 200233  
中国·上海·徐汇区宜山路889号3号楼 邮编: 200233

t E&E (86-21) 61402553 f E&E (86-21) 64953679 www.sgs.com.cn  
t HL (86-21) 61402594 f HL (86-21) 61156899 e sgs.china@sgs.com

# 检测报告 (SVHC)

编号: SHAEC2215227002

日期: 2022年11月01日 第15页,共19页

附录

所有检测的SVHC:

批次	序号	物质名称	CAS No.	RL (%)
XVIII	181	1,3,4-噻二唑-2,5-二硫酮、甲醛与支链和直链4-庚基苯酚的反应产物(RP-HP)[含有支链和直链4-庚基苯酚重量比≥0.1%]	-	0.050
XIX	182	1,2,4-苯三酸酐(偏苯三酸酐)(TMA)	552-30-7	0.050
XIX	183	苯并(g,h,i)芘(二萘嵌苯)(BPE)	191-24-2	0.050
XIX	184	十甲基环五硅氧烷(D5)	541-02-6	0.050
XIX	185	邻苯二甲酸二环己酯(DCHP)	84-61-7	0.050
XIX	186	氧化硼钠*	12008-41-2	0.005
XIX	187	十二甲基环六硅氧烷(D6)	540-97-6	0.050
XIX	188	乙二胺(EDA)	107-15-3	0.050
XIX	189	铅	7439-92-1	0.005
XIX	190	八甲基环四硅氧烷(D4)	556-67-2	0.050
XIX	191	氢化三联苯	61788-32-7	0.050
XX	192	1,7,7-三甲基-3-(苯基亚甲基)双环[2.2.1]庚-2-酮(3-亚苈基樟脑)	15087-24-8	0.050
XX	193	4,4'-(1,3-二甲基丁基)二苯酚(1,3-DMBBP)	6807-17-6	0.050
XX	194	苯并(k)荧蒽(BkF)	207-08-9	0.050
XX	195	荧蒽(FLT)	206-44-0	0.050
XX	196	菲(PHE)	85-01-8	0.050
XX	197	芘(PYR)	129-00-0	0.050
XXI	198	2,3,3,3-四氟-2-(七氟丙氧基)丙酸及其盐和酰基卤化物(包括单体和组合)(HFPO-DA)	-	0.050
XXI	199	2-甲氧基乙基乙酸酯	110-49-6	0.050
XXI	200	4-叔丁基苯酚(PTBP)	98-54-4	0.050



Unless otherwise agreed in writing, this document is issued by the Company subject to its General Conditions of Service printed overleaf, available on request or accessible at <http://www.sgs.com/en/Terms-and-Conditions.aspx> and, for electronic format documents, subject to Terms and Conditions for Electronic Documents at <http://www.sgs.com/en/Terms-and-Conditions/Terms-e-Document.aspx>. Attention is drawn to the limitation of liability, indemnification and jurisdiction issues defined therein. Any holder of this document is advised that information contained hereon reflects the Company's findings at the time of its intervention only and within the limits of Client's instructions, if any. The Company's sole responsibility is to its Client and this document does not exonerate parties to a transaction from exercising all their rights and obligations under the transaction documents. This document cannot be reproduced except in full, without prior written approval of the Company. Any unauthorized alteration, forgery or falsification of the content or appearance of this document is unlawful and offenders may be prosecuted to the fullest extent of the law. Unless otherwise stated the results shown in this test report refer only to the sample(s) tested.

Attention: To check the authenticity of testing / inspection report & certificate, please contact us at telephone: (86-755) 8307 1443, or email: [CN.Doccheck@sgs.com](mailto:CN.Doccheck@sgs.com)

SGS-CSTC 检测技术有限公司  
Inspection & Testing Services  
SGS-CSTC 检测技术有限公司  
Testing Center - Client's Property

3<sup>rd</sup> Building, No.889 Yishan Road Xuhui District, Shanghai China 200233  
中国·上海·徐汇区宜山路889号3号楼 邮编: 200233

t E&E (86-21) 61402553 f E&E (86-21) 64953679 www.sgs.com.cn  
t HL (86-21) 61402594 f HL (86-21) 61156899 e sgs.china@sgs.com

# 检测报告 (SVHC)

编号: SHAEC2215227002

日期: 2022年11月01日 第16页,共19页

附录

所有检测的SVHC:

批次	序号	物质名称	CAS No.	RL (%)
XXI	201	三(4-壬基苯基, 支链和直链)亚磷酸酯(TNPP)(含≥0.1%的支链和直链4-壬基苯酚)	-	0.050
XXII	202	2-苄基-2-二甲基氨基-4'-吗啉基苯基丁酮	119313-12-1	0.050
XXII	203	2-甲基-1-(4-甲硫基苯基)-2-吗啉基-1-丙酮	71868-10-5	0.050
XXII	204	邻苯二甲酸二异己酯	71850-09-4	0.050
XXII	205	全氟丁烷磺酸及其盐	-	0.050
XXIII	206	1-乙基咪唑	1072-63-5	0.050
XXIII	207	2-甲基咪唑	693-98-1	0.050
XXIII	208	对羟基苯甲酸丁酯	94-26-8	0.050
XXIII	209	双(乙酰丙酮基)二丁基锡**	22673-19-4	0.050
XXIV	210	四乙二醇二甲醚	143-24-8	0.050
XXIV	211	二月桂酸二辛基锡及任何其他二辛基锡双(脂肪酰氧基)衍生物**	-	0.050
XXV	212	1,4-二氧六环	123-91-1	0.050
XXV	213	二溴新戊二醇(BMP); 三溴新戊醇(TBNPA); 2,3-二溴-1-丙醇(2,3-DBPA)	-	0.050
XXV	214	铃兰醛及其立体异构体	-	0.050
XXV	215	双酚B	77-40-7	0.050
XXV	216	戊二醛	111-30-8	0.050
XXV	217	中链氯化石蜡(MCCP)	-	0.050
XXV	218	原硼酸钠盐*	13840-56-7	0.005
XXV	219	对十二烷基苯酚及其异构体(PDDP)	-	0.050



Unless otherwise agreed in writing, this document is issued by the Company subject to its General Conditions of Service printed overleaf, available on request or accessible at <http://www.sgs.com/en/Terms-and-Conditions.aspx> and, for electronic format documents, subject to Terms and Conditions for Electronic Documents at <http://www.sgs.com/en/Terms-and-Conditions/Terms-e-Documents.aspx>. Attention is drawn to the limitation of liability, indemnification and jurisdiction issues defined therein. Any holder of this document is advised that information contained hereon reflects the Company's findings at the time of its intervention only and within the limits of Client's instructions, if any. The Company's sole responsibility is to its Client and this document does not exonerate parties to a transaction from exercising all their rights and obligations under the transaction documents. This document cannot be reproduced except in full, without prior written approval of the Company. Any unauthorized alteration, forgery or falsification of the content or appearance of this document is unlawful and offenders may be prosecuted to the fullest extent of the law. Unless otherwise stated the results shown in this test report refer only to the sample(s) tested.

Attention: To check the authenticity of testing / inspection report & certificate, please contact us at telephone: (86-755) 8307 1443, or email: [CN.Doccheck@sgs.com](mailto:CN.Doccheck@sgs.com)  
 3<sup>rd</sup> Building, No.889 Yishan Road Xuhui District, Shanghai China 200233 tE&E (86-21) 61402553 fE&E (86-21) 64953679 www.sgs.com  
 中国·上海·徐汇区宜山路889号3号楼 邮编: 200233 tHL (86-21) 61402594 fHL (86-21) 61156899 e sgs.china@sgs.com

检测报告  
(SVHC)

编号: SHAEC2215227002

日期: 2022年11月01日 第17页,共19页

附录

所有检测的SVHC:

批次	序号	物质名称	CAS No.	RL (%)
XXVI	220	(±)-1,7,7-三甲基-3-[(4-甲基苯基)亚甲基]二 环[2.2.1]庚-2-酮, 包括各个异构体和/或其组合(4-MBC)	-	0.050
XXVI	221	2,2'-亚甲基双-(4-甲基-6-叔丁基苯酚) (DBMC)	119-47-1	0.050
XXVI	222	S-(三环[5.2.1.0' <sup>2</sup> ,6]癸-3-烯-8(或9)-基) O-(异丙基或异丁基 或2-乙基己基) O-(异丙基或异丁基或2-乙基己基)二硫代磷酸 酯	255881-94-8	0.050
XXVI	223	乙烯基-三(2-甲氧基乙氧基)硅烷	1067-53-4	0.050
XXVII	224	N-羟甲基丙烯酰胺	924-42-5	0.050
/	225	1,2-双(2,4,6-三溴苯氧基)乙烷	37853-59-1	0.050
/	226	四溴双酚A	79-94-7	0.050
/	227	双酚S	80-09-1	0.050
/	228	四氧化二硼钡*	13701-59-2	0.005
/	229	四溴邻苯二甲酸双(2-乙基己基)酯	-	0.050
/	230	对羟基苯甲酸异丁酯	4247-02-3	0.050
/	231	三聚氰胺	108-78-1	0.050
/	232	全氟庚酸及其盐类	-	0.050
/	233	全氟异丙基吗啉和全氟丙基吗啉混合物*	-	0.050
/	234	间苯二酚	108-46-3	0.050



Unless otherwise agreed in writing, this document is issued by the Company subject to its General Conditions of Service printed overleaf, available on request or accessible at <http://www.sgs.com/en/Terms-and-Conditions.aspx> and, for electronic format documents, subject to Terms and Conditions for Electronic Documents at <http://www.sgs.com/en/Terms-and-Conditions/Terms-e-Documents.aspx>. Attention is drawn to the limitation of liability, indemnification and jurisdiction issues defined therein. Any holder of this document is advised that information contained hereon reflects the Company's findings at the time of its intervention only and within the limits of Client's instructions, if any. The Company's sole responsibility is to its Client and this document does not exonerate parties to a transaction from exercising all their rights and obligations under the transaction documents. This document cannot be reproduced except in full, without prior written approval of the Company. Any unauthorized alteration, forgery or falsification of the content or appearance of this document is unlawful and offenders may be prosecuted to the fullest extent of the law. Unless otherwise stated the results shown in this test report refer only to the sample(s) tested.

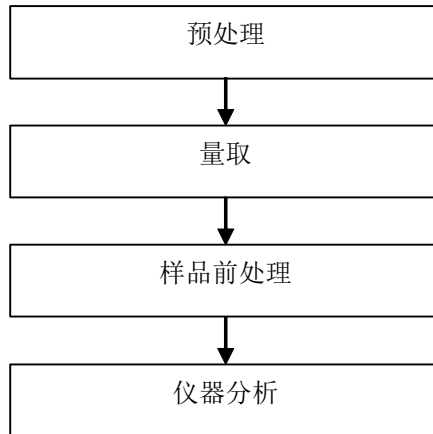
Attention: To check the authenticity of testing / inspection report & certificate, please contact us at telephone: (86-755) 8307 1443, or email: [CN.Doccheck@sgs.com](mailto:CN.Doccheck@sgs.com)

SGS-CSTC 检测技术有限公司  
Inspection & Testing Services  
Testing Center - Client Responsibility

3<sup>rd</sup> Building, No. 889 Yishan Road Xuhui District, Shanghai China 200233  
中国·上海·徐汇区宜山路889号3号楼 邮编: 200233

t E&E (86-21) 61402553 f E&E (86-21) 64953679 www.sgs.com.cn  
t HL (86-21) 61402594 f HL (86-21) 61156899 e [sgs.china@sgs.com](mailto:sgs.china@sgs.com)

## SVHC 检测流程图



Unless otherwise agreed in writing, this document is issued by the Company subject to its General Conditions of Service printed overleaf, available on request or accessible at <http://www.sgs.com/en/Terms-and-Conditions.aspx> and, for electronic format documents, subject to Terms and Conditions for Electronic Documents at <http://www.sgs.com/en/Terms-and-Conditions/Terms-e-Document.aspx>. Attention is drawn to the limitation of liability, indemnification and jurisdiction issues defined therein. Any holder of this document is advised that information contained hereon reflects the Company's findings at the time of its intervention only and within the limits of Client's instructions, if any. The Company's sole responsibility is to its Client and this document does not exonerate parties to a transaction from exercising all their rights and obligations under the transaction documents. This document cannot be reproduced except in full, without prior written approval of the Company. Any unauthorized alteration, forgery or falsification of the content or appearance of this document is unlawful and offenders may be prosecuted to the fullest extent of the law. Unless otherwise stated the results shown in this test report refer only to the sample(s) tested.

Attention: To check the authenticity of testing /inspection report & certificate, please contact us at telephone: (86-755) 8307 1443, or email: [CN.Doccheck@sgs.com](mailto:CN.Doccheck@sgs.com)

## 检测报告 (SVHC)

编号: SHAEC2215227002

日期: 2022年11月01日 第19页,共19页

样品照片:



此照片仅限于随SGS正本报告使用

\*\*\* 报告结束 \*\*\*



Unless otherwise agreed in writing, this document is issued by the Company subject to its General Conditions of Service printed overleaf, available on request or accessible at <http://www.sgs.com/en/Terms-and-Conditions.aspx> and, for electronic format documents, subject to Terms and Conditions for Electronic Documents at <http://www.sgs.com/en/Terms-and-Conditions/Terms-e-Documents.aspx>. Attention is drawn to the limitation of liability, indemnification and jurisdiction issues defined therein. Any holder of this document is advised that information contained hereon reflects the Company's findings at the time of its intervention only and within the limits of Client's instructions, if any. The Company's sole responsibility is to its Client and this document does not exonerate parties to a transaction from exercising all their rights and obligations under the transaction documents. This document cannot be reproduced except in full, without prior written approval of the Company. Any unauthorized alteration, forgery or falsification of the content or appearance of this document is unlawful and offenders may be prosecuted to the fullest extent of the law. Unless otherwise stated the results shown in this test report refer only to the sample(s) tested.

Attention: To check the authenticity of testing / inspection report & certificate, please contact us at telephone: (86-755) 8307 1443, or email: [CN.Doccheck@sgs.com](mailto:CN.Doccheck@sgs.com)

SGS-CSTC 通标标准技术服务(上海)有限公司  
Testing Center-Client's Laboratory

13<sup>th</sup> Building, No. 889 Yishan Road Xuhui District, Shanghai China 200233  
中国·上海·徐汇区宜山路889号3号楼 邮编: 200233

t E&E (86-21) 61402553 f E&E (86-21) 64953679 www.sgs.com.cn  
t HL (86-21) 61402594 f HL (86-21) 61156899 e [sgs.china@sgs.com](mailto:sgs.china@sgs.com)



## 测试报告

No. SHAEC2128564502

日期: 2022年01月05日 第1页,共8页

安徽楚江科技新材料股份有限公司  
中国安徽芜湖自由贸易试验区芜湖片区九华北路8号

以下测试之样品是由申请者所提供及确认: 黄铜带 H62 (C2800,C2801)

SGS工作编号: SP21-040088 - SH

样品接收日期: 2021年12月29日

测试周期: 2021年12月29日 - 2022年01月05日

测试要求: 根据客户要求测试

测试方法: 请参见下一页

测试结果: 请参见下一页

结论: 基于所送样品进行的测试, 镉、铅、汞、六价铬、多溴联苯(PBBs)、多溴二苯醚(PBDEs)、邻苯二甲酸酯(如邻苯二甲酸二丁酯(DBP)、邻苯二甲酸丁酯(BBP)、邻苯二甲酸二(2-乙基己基)酯(DEHP)和邻苯二甲酸二异丁酯(DIBP))的测试结果符合欧盟RoHS指令2011/65/EU附录II的修正指令(EU) 2015/863的限值要求。

通标标准技术服务(上海)有限公司  
授权签名

Carol Luo 罗萍  
批准签署人

scan to see the report



DDF06341



Unless otherwise agreed in writing, this document is issued by the Company subject to its General Conditions of Service printed overleaf, available on request or accessible at <http://www.sgs.com/en/Terms-and-Conditions.aspx> and, for electronic format documents, subject to Terms and Conditions for Electronic Documents at <http://www.sgs.com/en/Terms-and-Conditions/Terms-e-Documents.aspx>. Attention is drawn to the limitation of liability, indemnification and jurisdiction issues defined therein. Any holder of this document is advised that information contained hereon reflects the Company's findings at the time of its intervention only and within the limits of Client's instructions, if any. The Company's sole responsibility is to its Client and this document does not exonerate parties to a transaction from exercising all their rights and obligations under the transaction documents. This document cannot be reproduced except in full, without prior written approval of the Company. Any unauthorized alteration, forgery or falsification of the content or appearance of this document is unlawful and offenders may be prosecuted to the fullest extent of the law. Unless otherwise stated the results shown in this test report refer only to the sample(s) tested.

Attention: To check the authenticity of testing / inspection report & certificate, please contact us at telephone: (86-755) 8307 1443, or email: [CN.Doccheck@sgs.com](mailto:CN.Doccheck@sgs.com)

SGS-CSTC Technical Services (Shanghai) Co., Ltd.  
Testing Center - Client Responsibility

3<sup>rd</sup> Building, No. 889 Yishan Road Xuhui District, Shanghai China 200233  
中国·上海·徐汇区宜山路889号3号楼 邮编: 200233

t E&E (86-21) 61402553 f E&E (86-21) 64953679 www.sgsgroup.com.cn  
t HL (86-21) 61402594 f HL (86-21) 61156899 e [sgs.china@sgs.com](mailto:sgs.china@sgs.com)

测试结果:

测试样品描述:

样品编号	SGS样品ID	描述
SN1	SHA21-285645.001	黄色金属

备注:

- (1) 1 mg/kg = 0.0001%
- (2) MDL = 方法检测限
- (3) ND = 未检出 (< MDL)
- (4) "-" = 未规定

### RoHS指令2011/65/EU附录II的修正指令(EU) 2015/863

测试方法: 参考IEC 62321-4:2013+AMD1:2017, IEC 62321-5:2013, IEC 62321-7-1:2015, IEC 62321-6:2015和IEC 62321-8:2017, 采用ICP-OES, UV-Vis和GC-MS进行分析。

测试项目	限值	单位	MDL	001
镉 (Cd)	100	mg/kg	2	ND
铅(Pb)	1000	mg/kg	2	29
汞 (Hg)	1000	mg/kg	2	ND
六价铬(Cr(VI))▼	-	µg/cm²	0.10	ND
多溴联苯之和(PBBs)	1000	mg/kg	-	ND
一溴联苯	-	mg/kg	5	ND
二溴联苯	-	mg/kg	5	ND
三溴联苯	-	mg/kg	5	ND
四溴联苯	-	mg/kg	5	ND
五溴联苯	-	mg/kg	5	ND
六溴联苯	-	mg/kg	5	ND
七溴联苯	-	mg/kg	5	ND
八溴联苯	-	mg/kg	5	ND
九溴联苯	-	mg/kg	5	ND
十溴联苯	-	mg/kg	5	ND
多溴二苯醚之和(PBDEs)	1000	mg/kg	-	ND
一溴二苯醚	-	mg/kg	5	ND
二溴二苯醚	-	mg/kg	5	ND
三溴二苯醚	-	mg/kg	5	ND
四溴二苯醚	-	mg/kg	5	ND



Unless otherwise agreed in writing, this document is issued by the Company subject to its General Conditions of Service printed overleaf, available on request or accessible at <http://www.sgs.com/en/Terms-and-Conditions.aspx> and, for electronic format documents, subject to Terms and Conditions for Electronic Documents at <http://www.sgs.com/en/Terms-and-Conditions/Terms-e-Documents.aspx>. Attention is drawn to the limitation of liability, indemnification and jurisdiction issues defined therein. Any holder of this document is advised that information contained hereon reflects the Company's findings at the time of its intervention only and within the limits of Client's instructions, if any. The Company's sole responsibility is to its Client and this document does not exonerate parties to a transaction from exercising all their rights and obligations under the transaction documents. This document cannot be reproduced except in full, without prior written approval of the Company. Any unauthorized alteration, forgery or falsification of the content or appearance of this document is unlawful and offenders may be prosecuted to the fullest extent of the law. Unless otherwise stated the results shown in this test report refer only to the sample(s) tested.

Attention: To check the authenticity of testing / inspection report & certificate, please contact us at telephone: (86-755) 8307 1443, or email: [CN.Doccheck@sgs.com](mailto:CN.Doccheck@sgs.com)

3<sup>rd</sup> Building, No. 889 Yishan Road Xuhui District, Shanghai China 200233 t E&E (86-21) 61402553 f E&E (86-21) 64953679 www.sgs.com.cn  
 中国·上海·徐汇区宜山路889号3号楼 邮编: 200233 t HL (86-21) 61402594 f HL (86-21) 61156899 e sgs.china@sgs.com

测试项目	限值	单位	MDL	001
五溴二苯醚	-	mg/kg	5	ND
六溴二苯醚	-	mg/kg	5	ND
七溴二苯醚	-	mg/kg	5	ND
八溴二苯醚	-	mg/kg	5	ND
九溴二苯醚	-	mg/kg	5	ND
十溴二苯醚	-	mg/kg	5	ND
邻苯二甲酸二丁酯 (DBP)	1000	mg/kg	50	ND
邻苯二甲酸丁苄酯(BBP)	1000	mg/kg	50	ND
邻苯二甲酸二(2-乙基己基)酯(DEHP)	1000	mg/kg	50	ND
邻苯二甲酸二异丁酯(DIBP)	1000	mg/kg	50	ND

备注:

(1) 最大允许极限值引用自RoHS指令(EU) 2015/863。

IEC 62321系列等同于 EN 62321 系列

[https://www.cenelec.eu/dyn/www/f?p=104:30:1742232870351101:::FSP\\_ORG\\_ID,FSP\\_LANG\\_ID:1258637,25](https://www.cenelec.eu/dyn/www/f?p=104:30:1742232870351101:::FSP_ORG_ID,FSP_LANG_ID:1258637,25)

(2) ▼ = a. 当六价铬的浓度高于0.13 µg/cm²时, 样品为阳性, 即含有六价铬;

b. 当六价铬的浓度为ND(低于0.10 µg/cm²)时, 样品为阴性, 即未检测到六价铬;

c. 当六价铬的浓度介于0.10 µg/cm²与0.13 µg/cm²之间时, 无法直接判定是否检测到六价铬, 因不同个体的样品表面差异可能会影响测定结果;

由于未获知样品的存储条件和生产日期, 样品的六价铬测试结果仅能代表测试时样品含六价铬的状态。

除非另有说明, 此报告结果仅对测试的样品负责。本报告未经本公司书面许可, 不可部分复制。

检测报告仅用于客户科研、教学、内部质量控制、产品研发等目的, 仅供内部参考。



Unless otherwise agreed in writing, this document is issued by the Company subject to its General Conditions of Service printed overleaf, available on request or accessible at <http://www.sgs.com/en/Terms-and-Conditions.aspx> and, for electronic format documents, subject to Terms and Conditions for Electronic Documents at <http://www.sgs.com/en/Terms-and-Conditions/Terms-e-Documents.aspx>. Attention is drawn to the limitation of liability, indemnification and jurisdiction issues defined therein. Any holder of this document is advised that information contained hereon reflects the Company's findings at the time of its intervention only and within the limits of Client's instructions, if any. The Company's sole responsibility is to its Client and this document does not exonerate parties to a transaction from exercising all their rights and obligations under the transaction documents. This document cannot be reproduced except in full, without prior written approval of the Company. Any unauthorized alteration, forgery or falsification of the content or appearance of this document is unlawful and offenders may be prosecuted to the fullest extent of the law. Unless otherwise stated the results shown in this test report refer only to the sample(s) tested.

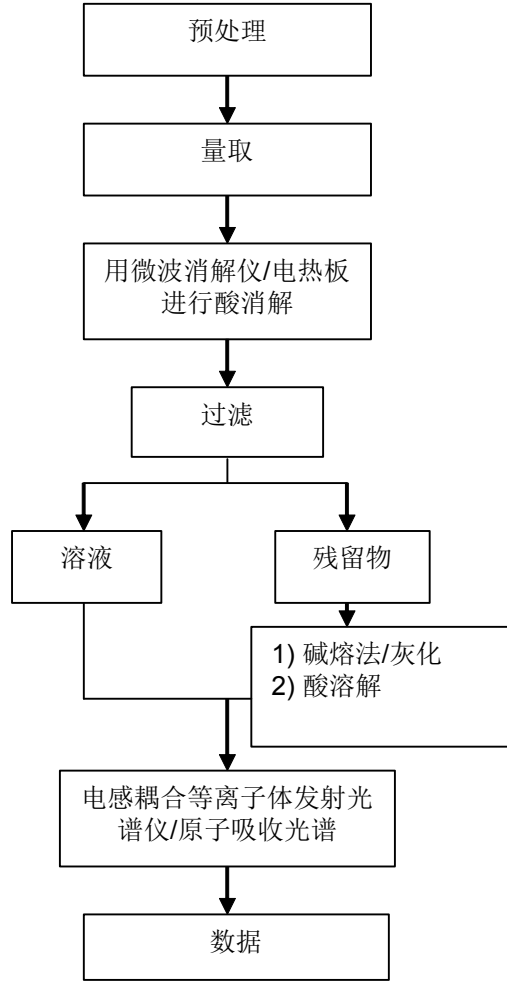
Attention: To check the authenticity of testing /inspection report & certificate, please contact us at telephone: (86-755) 8307 1443, or email: [CN.Doccheck@sgs.com](mailto:CN.Doccheck@sgs.com)

SGS-CSTC Inspection & Testing Services (Shanghai) Co., Ltd.  
Testing Center - Client Responsibility

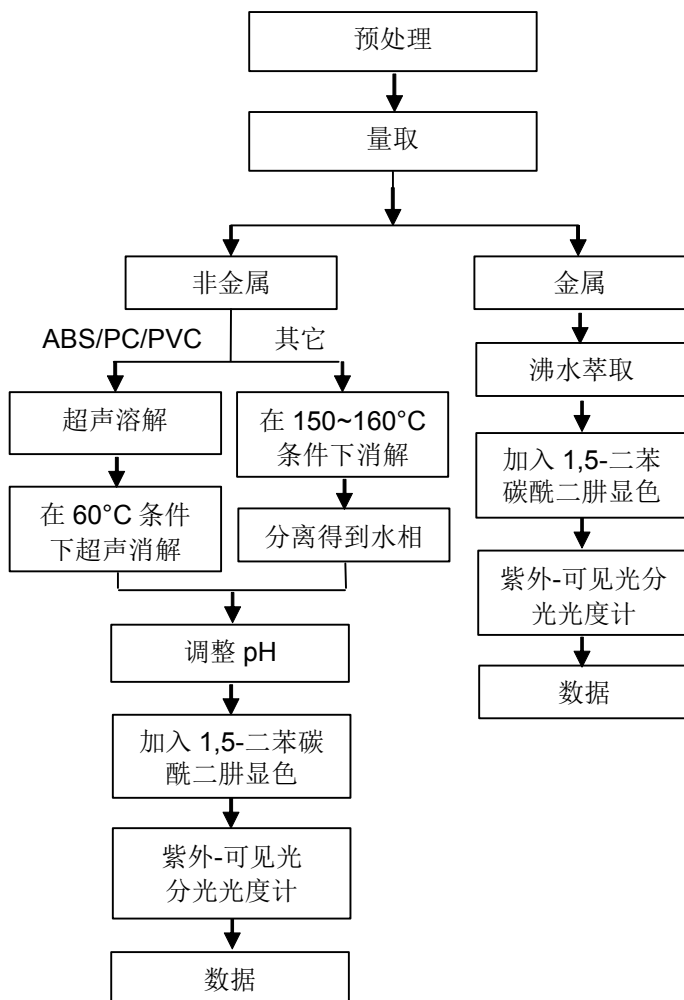
3<sup>rd</sup> Building, No. 889 Yishan Road Xuhui District, Shanghai China 200233 t E&E (86-21) 61402553 f E&E (86-21) 64953679 www.sgs.com.cn  
中国·上海·徐汇区宜山路889号3号楼 邮编: 200233 t HL (86-21) 61402594 f HL (86-21) 61156899 e sgs.china@sgs.com

## 元素(IEC62321) 测试流程图

1)样品按照下述流程被完全消解



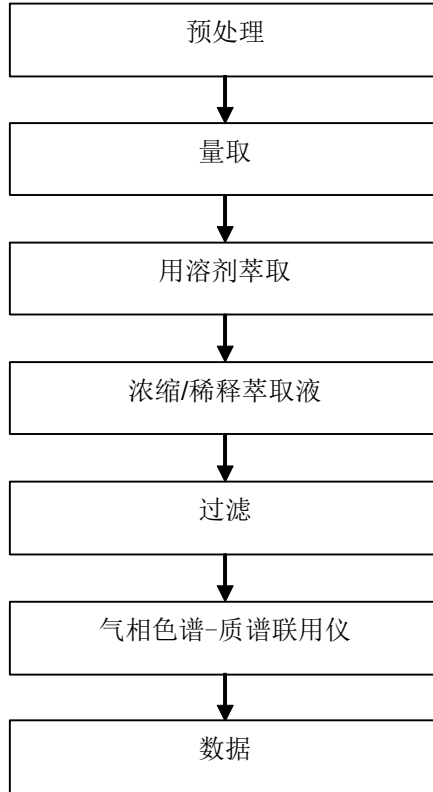
## 六价铬测试流程图



Unless otherwise agreed in writing, this document is issued by the Company subject to its General Conditions of Service printed overleaf, available on request or accessible at <http://www.sgs.com/en/Terms-and-Conditions.aspx> and, for electronic format documents, subject to Terms and Conditions for Electronic Documents at <http://www.sgs.com/en/Terms-and-Conditions/Terms-e-Documents.aspx>. Attention is drawn to the limitation of liability, indemnification and jurisdiction issues defined therein. Any holder of this document is advised that information contained hereon reflects the Company's findings at the time of its intervention only and within the limits of Client's instructions, if any. The Company's sole responsibility is to its Client and this document does not exonerate parties to a transaction from exercising all their rights and obligations under the transaction documents. This document cannot be reproduced except in full, without prior written approval of the Company. Any unauthorized alteration, forgery or falsification of the content or appearance of this document is unlawful and offenders may be prosecuted to the fullest extent of the law. Unless otherwise stated the results shown in this test report refer only to the sample(s) tested.

Attention: To check the authenticity of testing / inspection report & certificate, please contact us at telephone: (86-755) 8307 1443, or email: [CN.Doccheck@sgs.com](mailto:CN.Doccheck@sgs.com)  
 3<sup>rd</sup> Building, No.889 Yishan Road Xuhui District, Shanghai China 200233 t E&E (86-21) 61402553 f E&E (86-21) 64953679 www.sgs.com.cn  
 中国·上海·徐汇区宜山路889号3号楼 邮编: 200233 t HL (86-21) 61402594 f HL (86-21) 61156899 e sgs.china@sgs.com

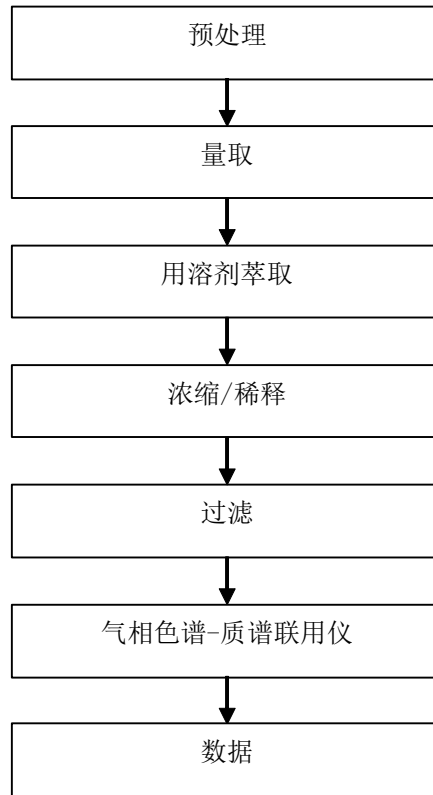
### PBBs/PBDEs 测试流程图



Unless otherwise agreed in writing, this document is issued by the Company subject to its General Conditions of Service printed overleaf, available on request or accessible at <http://www.sgs.com/en/Terms-and-Conditions.aspx> and, for electronic format documents, subject to Terms and Conditions for Electronic Documents at <http://www.sgs.com/en/Terms-and-Conditions/Terms-e-Documents.aspx>. Attention is drawn to the limitation of liability, indemnification and jurisdiction issues defined therein. Any holder of this document is advised that information contained hereon reflects the Company's findings at the time of its intervention only and within the limits of Client's instructions, if any. The Company's sole responsibility is to its Client and this document does not exonerate parties to a transaction from exercising all their rights and obligations under the transaction documents. This document cannot be reproduced except in full, without prior written approval of the Company. Any unauthorized alteration, forgery or falsification of the content or appearance of this document is unlawful and offenders may be prosecuted to the fullest extent of the law. Unless otherwise stated the results shown in this test report refer only to the sample(s) tested.

Attention: To check the authenticity of testing /inspection report & certificate, please contact us at telephone: (86-755) 8307 1443, or email: [CN.Doccheck@sgs.com](mailto:CN.Doccheck@sgs.com)

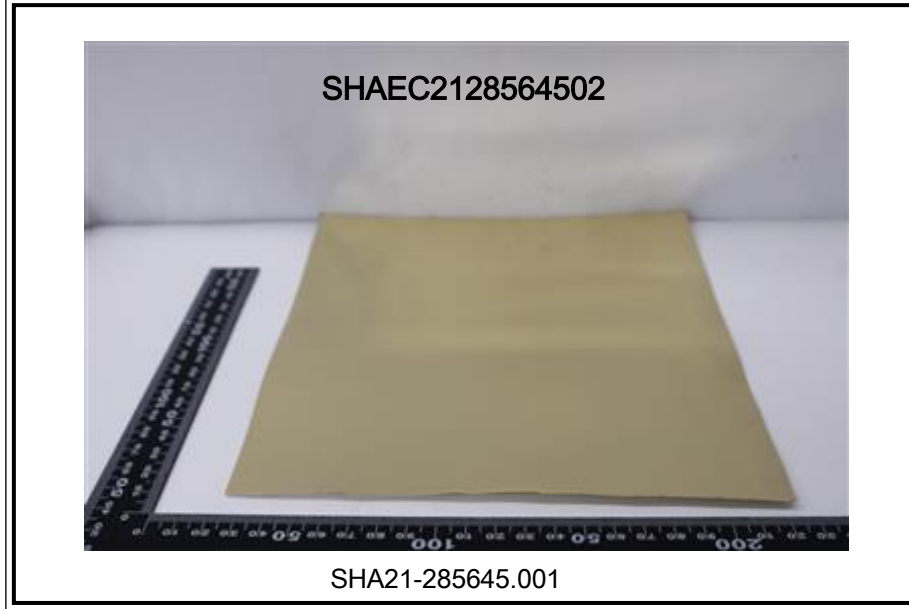
## Phthalates 测试流程图



Unless otherwise agreed in writing, this document is issued by the Company subject to its General Conditions of Service printed overleaf, available on request or accessible at <http://www.sgs.com/en/Terms-and-Conditions.aspx> and, for electronic format documents, subject to Terms and Conditions for Electronic Documents at <http://www.sgs.com/en/Terms-and-Conditions/Terms-e-Document.aspx>. Attention is drawn to the limitation of liability, indemnification and jurisdiction issues defined therein. Any holder of this document is advised that information contained hereon reflects the Company's findings at the time of its intervention only and within the limits of Client's instructions, if any. The Company's sole responsibility is to its Client and this document does not exonerate parties to a transaction from exercising all their rights and obligations under the transaction documents. This document cannot be reproduced except in full, without prior written approval of the Company. Any unauthorized alteration, forgery or falsification of the content or appearance of this document is unlawful and offenders may be prosecuted to the fullest extent of the law. Unless otherwise stated the results shown in this test report refer only to the sample(s) tested.

Attention: To check the authenticity of testing /inspection report & certificate, please contact us at telephone: (86-755) 8307 1443, or email: [CN.Doccheck@sgs.com](mailto:CN.Doccheck@sgs.com)

样品照片:



此照片仅限于随SGS正本报告使用

\*\*\* 报告完 \*\*\*

