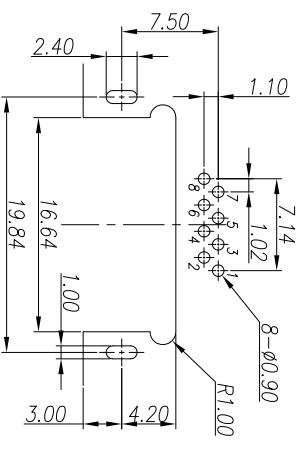
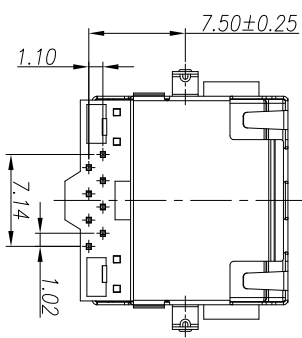
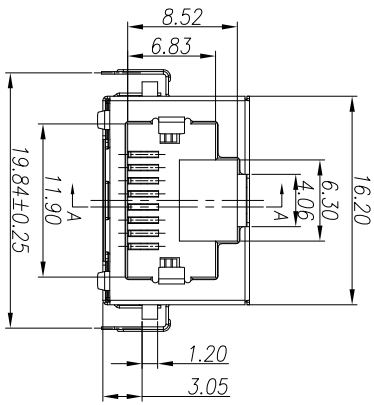
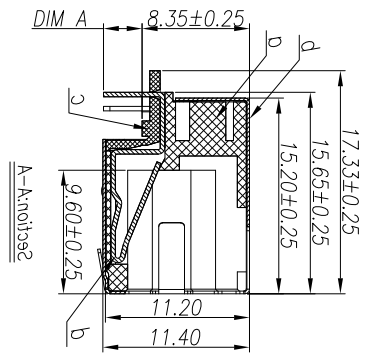
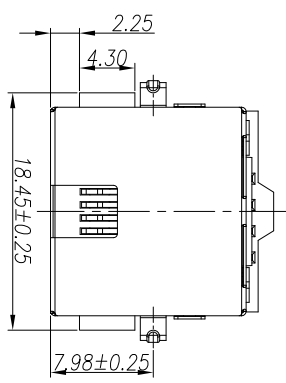


CATEGORY	DESCRIPTION	P/N #
CONNECTOR	Modular Jack, 8P8C, R/A	M888-XX11-RVX

REV.	ECN NO	DESCRIPTION	REVISED	DATE
A01		New Release	XSY	2013.08.08
A02		增加主体颜色选项	YST	2019.07.06

- Specifications:
1. Rated Current: 1.5A
 2. Contact resistance: 40mΩ MAX.
 3. Insulation resistance: 500MΩ MIN.
 4. Dielectric withstand: 500V AC for 1 minute
 5. Operating temperature: -40°C~+80°C
 6. Insertion/Extraction life: 750 Cycles



RECOMMENDED PCB LAYOUT (TOP VIEW)
(ALL TOLERANCES ARE ±0.05)

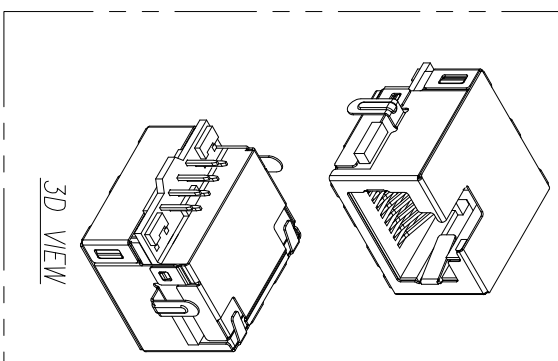
Part No.: M888-XX11-RVX

Table 1

X	HOUSING
B	BLACK LCP
Y	YELLOW PA8T 114C
U	BLUE PA8T

Table 2

X	Terminal Plating	X	DIM A
0	Au 1u" Plating	1	3.0
1	Au 3u" Plating	2	2.10
2	Au 6u" Plating		
3	Au 15u" Plating		
4	Au 30u" Plating		
5	Au 50u" Plating		



d	Terminal	8	PHOSPHOR BRONZE T=0.35mm	See Table 2
c	Cover	1	SEE TABLE UL94V-0	SEE TABLE 1
b	Shell	1	BRASS T=0.20mm	NI Plating
a	Housing	1	SEE TABLE UL94V-0	SEE TABLE 1
NO.	PART NAME	Q'TY	MATERIAL	PLATING & COLOR
4		4		Remark

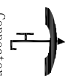
UNLESS OTHERWISE SPECIFIED TOLERANCES

DECIMALS: ANGLES:

X :±0.5 X :±2°

X.X :±0.3 X.X :±1°

X.XX :±0.2 X.XX :±0.2


東莞市合陵電子有限公司
 Dongguan Heling Electronic Co.,LTD

SCALE: 1/1	UNIT: mm	DWG.NO:
SIZE: A4	PAGE: 10F1	REV:A02

APPROVED BY	CHECKED BY	PREPARED BY
DICK	XSY	YST
CUSTOMER COPY		