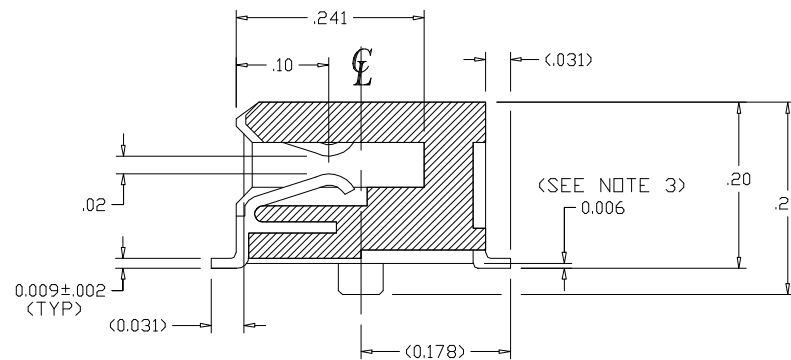


NOTES:

- 1) MATERIAL:  
INSULATOR: THERMEX LG431-9731L BLACK AND 30% GFR LCP  
CONTACTS: PHOSPHOR BRONZE
- 2) PLATING:  
CONTACT AREA: 30μin. GOLD PLATING  
SOLDER TAILS: 3μin. GOLD FLASH OVER 50μin. NICKEL
- 3) COPLANARITY TO BE WITHIN 0.004
- 4) PACKAGED STANDARD IN TRAYS. 105 PCS. PER TRAY.
- 5) TAPE AND REEL PACKAGING OPTIONAL. 500 PCS PER REEL. ADD -T TO PART NUMBER.

SECT. A-A



TOLERANCE		UMax conn 东莞市友贸实业有限公司 DONGGUAN UMAXCONN ENTERPRISE LIMITED		TITLE: SFP+ 20p SMT CONNECTOR					
LINEAR	ANGLES			PART NO. M42F-08P-020-P002G					
X±0.30	X°±			DWG NO. M42F1605071					
.X±0.20	.X°±	APPD: Jason	MAT'L:						
.XX±0.15	.XX°±	CHKD: Schumi	FINISH:						
.XXX±	.XXX°±	DRWN: Lucy	Q'TY:						
REV	ECN NO.	NAME	DATE			UNITS	SCALE	SHEET	REV
						MM	1 : 1	1 OF 1	0