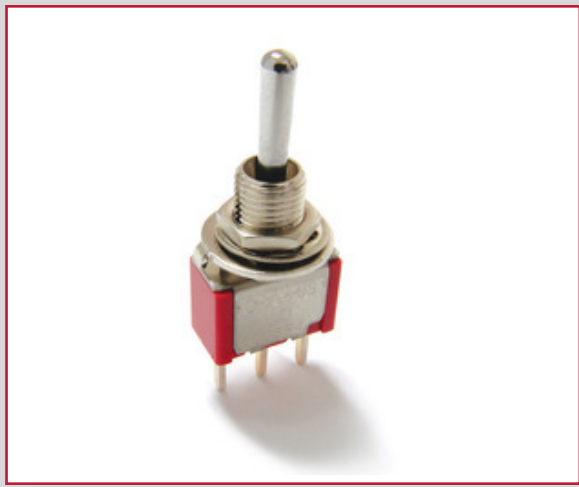


# 100 SERIES TOGGLE SWITCH

ANTI-VANDAL SWITCHES  
DETECTOR SWITCHES  
DIP SWITCHES  
KEYLOCK SWITCHES  
NAVIGATION SWITCHES  
PUSHBUTTON SWITCHES  
ROCKER SWITCHES  
ROTARY SWITCHES  
SLIDE SWITCHES  
SNAP ACTION SWITCHES  
TACTILE SWITCHES  
TOGGLE SWITCHES  
CAP OPTIONS



## APPLICATIONS / MARKETS



# RoHS

## SPECIFICATIONS

**Contact Rating:** Silver - 5 Amps with resistive load @ 120VAC or 28VDC;  
2 Amps with resistive load @ 250VAC  
Gold - 0.4 Volt-Amps (VA) max. @ 20V max. (AC or DC)

**Mechanical Life:** 40,000 Make-and-Break Cycles  
**Electrical Life:** 6,000 at Full Power  
**Contact Resistance:** 10mΩ Max. Initial  
**Insulation Resistance:** 1,000MΩ Min.  
**Dielectric Strength:** 1,000V RMS at Sea Level  
**Operating Temperature:** -40°C to 85°C  
**Torque:** Max. 5kg·cm (70 ounce-inch)

## FEATURES & BENEFITS

- Up to 4 poles available
- Variety of switching functions
- Miniature
- Multiple actuator & bushing options

## PART NUMBER CONFIGURATOR

Series	Function	Actuator	Bushing	Termination	Contact Material	Seal	Hardware
<input type="text" value="100"/>	<input type="text" value="SP1"/>	<input type="text" value="T1"/>	<input type="text" value="B1"/>	<input type="text" value="M1"/>	<input type="text" value="Q"/>	<input type="text" value="E"/>	<input type="text" value="H"/>
100	<p>SP1 - SPDT - On - None - On</p> <p>SP2 - SPDT - On - None - (On) *</p> <p>SP3 - SPDT - On - Off - On</p> <p>SP4 - SPDT - (On) - Off - (On) *</p> <p>SP5 - SPDT - On - Off - (On) *</p> <p>DP1 - DPDT - On - None - On</p> <p>DP2 - DPDT - On - None - (On) *</p> <p>DP3 - DPDT - On - Off - On</p> <p>DP4 - DPDT - (On) - Off - (On) *</p> <p>DP5 - DPDT - On - Off - (On) *</p> <p>DP6 - DPDT - On - On - On</p> <p>DP7 - DPDT - (On) - On - (On) *</p> <p>DP8 - DPDT - (On) - On - (On) *</p> <p>3P1 - 3PDT - On - None - On</p> <p>3P2 - 3PDT - On - None - (On) *</p> <p>3P3 - 3PDT - On - Off - On</p> <p>3P4 - 3PDT - (On) - Off - (On) *</p> <p>3P5 - 3PDT - On - Off - (On) *</p> <p>4P1 - 4PDT - On - None - On</p> <p>4P2 - 4PDT - On - None - (On) *</p> <p>4P3 - 4PDT - On - Off - On</p> <p>4P4 - 4PDT - (On) - Off - (On) *</p> <p>4P5 - 4PDT - On - Off - (On) *</p> <p>4P6 - 4PDT - On - On - On</p> <p>4P7 - 4PDT - On - On - (On) *</p> <p>4P8 - 4PDT - (On) - On - (On) *</p>	<p>T1 - Standard Height = 0.410 ***</p> <p>T2 - 22mm Plastic Bat</p> <p>T3 - Height = 0.550</p> <p>T4 - Height = 0.640</p> <p>T5 - Height = 0.840</p> <p>T6 <sup>1</sup> - Height = 0.484 Flatted With Built-In An- tirotaion. Use with B11, B12, B15, B16 Only.</p> <p>T7 <sup>2</sup> - Use With B13 Bushing Only</p> <p>T8 <sup>2</sup> - Use With B13 Bushing Only</p> <p>T9 <sup>7</sup> - Plastic Black Height = 0.840 B1, B3, &amp; B9 Bushing Standard</p> <p>K1 <sup>5</sup></p> <p>K2 <sup>5</sup></p>	<p>B1 - THD-STD</p> <p>B2 <sup>3</sup> - NON-THD</p> <p>B3 - THD-STD</p> <p>B4 <sup>8</sup> - NON-THD Standard For M6, M7 &amp; VS Termination</p> <p>B5 - HIGH TORQUE</p> <p>B6 - HIGH TORQUE</p> <p>B8 - METRIC-THD</p> <p>B9 - SPLASH PROOF</p> <p>B11 <sup>4</sup> - THD-STD For T6 Only</p> <p>B12 <sup>3,4</sup> - NON-THD For T6 Only</p> <p>B13 <sup>5</sup> - For T7 &amp; T8 Only</p> <p>B15 <sup>4</sup> - THD-STD For T6 Only</p> <p>B16 <sup>3,4</sup> - NON-THD For T6 Only</p> <p>B25 - For K1 &amp; K2 Only **</p> <p>B26 - For K1 &amp; K2 Only **</p>	<p>M1 - Solder Lug</p> <p>M2 - PCB Mount</p> <p>M3 - Quick Connect</p> <p>M5 - Wire Wrap</p> <p>M6 - Horizontal Rt. Angle PCB Mount</p> <p>M61 - Horizontal Rt. Angle PCB Mount w/Retention Bracket</p> <p>M7 - Vertical Rt. Angle PCB Mount</p> <p>M71 - Vertical Rt. Angle w/Retention Bracket</p> <p>VS2 <sup>9</sup> - Vertical Bracket PCB Mount Dim A = 0.460</p> <p>VS3 <sup>9</sup> - Vertical Bracket PCB Mount Dim A = 0.630</p> <p>VS5 - Vertical Bracket PCB Mount Dim A = 0.630 *</p> <p>VS64 - Horizontal Rt. Angle *</p> <p>VS21 - Vertical w/Retention Bracket Dim A = 0.460 *</p> <p>VS31 - Vertical w/Retention Bracket Dim A = 0.630 *</p>	<p>Q - Silver</p> <p>R - Gold</p>	<p>E - Epoxy Sealed</p>	<p>(None)</p> <p>H - Hardware to be used with threaded bushing options only</p>

### NOTES:

- ( ) = Denotes function is momentary  
\* = Not available with K1 or K2 Actuator  
\*\* = Only available with K1 or K2 Actuator  
\*\*\* = Optional Toggle Cap (T1 only) T100-1 = White  
T100-2 = Black
- <sup>1</sup> = Only available with B11, B12, B15, B16 Bushing  
<sup>2</sup> = Only available with B13 Bushing  
<sup>3</sup> = NON-THD has no hardware available
- <sup>4</sup> = Only available with T6 Actuator  
<sup>5</sup> = Only available with T7 and T8 Actuators  
<sup>6</sup> = Only available with B25 and B26 Bushings  
<sup>7</sup> = Add 1.78 [.070 in] for B3 and B4 Bushings  
Subtract 0.51 [.020 in] for B6 Bushing  
<sup>8</sup> = B4 is standard for M6, M7, and VS Terminations  
<sup>9</sup> = VS2 and VS3 frame requires M2 Termination

Specifications subject to change without notice 5.2.2024



**E-SWITCH®**

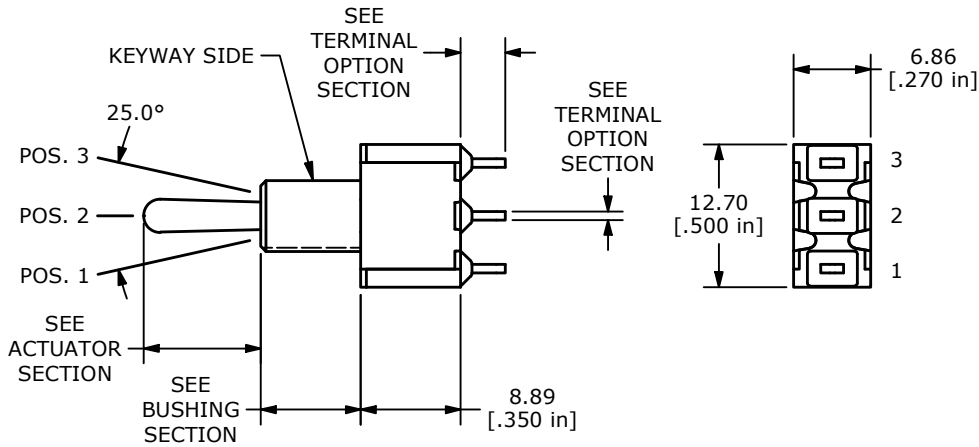
www.e-switch.com

800.867.2717

1

# 100 SERIES TOGGLE SWITCH

## FUNCTION OPTIONS

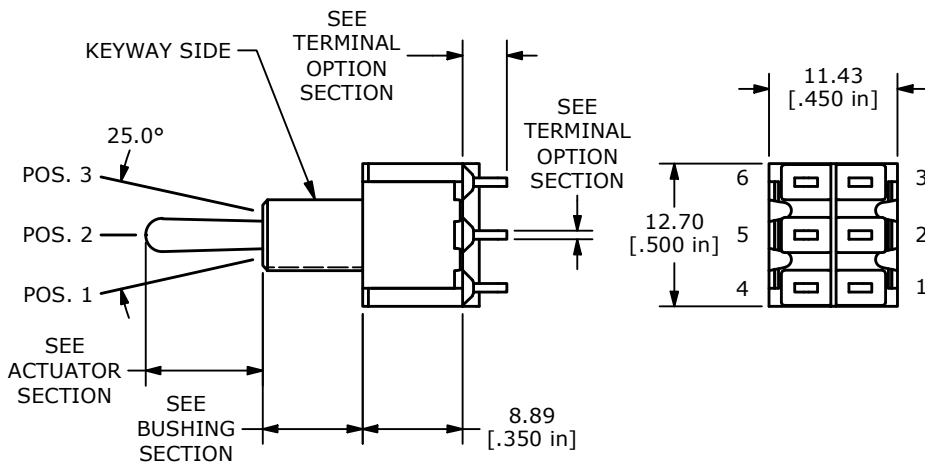
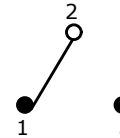


**SINGLE POLE**

MODEL NO.	POS. 1	POS. 2	POS. 3
SP1	ON	NONE	ON
SP2*	ON	NONE	(ON)
SP3	ON	OFF	ON
SP4*	(ON)	OFF	(ON)
SP5*	ON	OFF	(ON)
TERMINAL CLOSURE	2-3	OPEN	2-1

( ) = MOMENTARY

\* = NOT AVAILABLE W/ K1 & K2 ACTUATOR

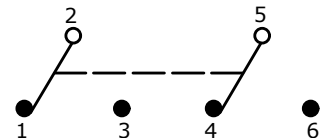


**DOUBLE POLE**

MODEL NO.	POS. 1	POS. 2	POS. 3
DP1	ON	NONE	ON
DP2*	ON	NONE	(ON)
DP3	ON	OFF	ON
DP4*	(ON)	OFF	(ON)
DP5*	ON	OFF	(ON)
DP6	ON	ON	ON
DP7*	ON	ON	(ON)
DP8*	(ON)	ON	(ON)
TERMINAL CLOSURE	2-3, 5-6	2-3, 5-4	2-1, 5-4

( ) = MOMENTARY

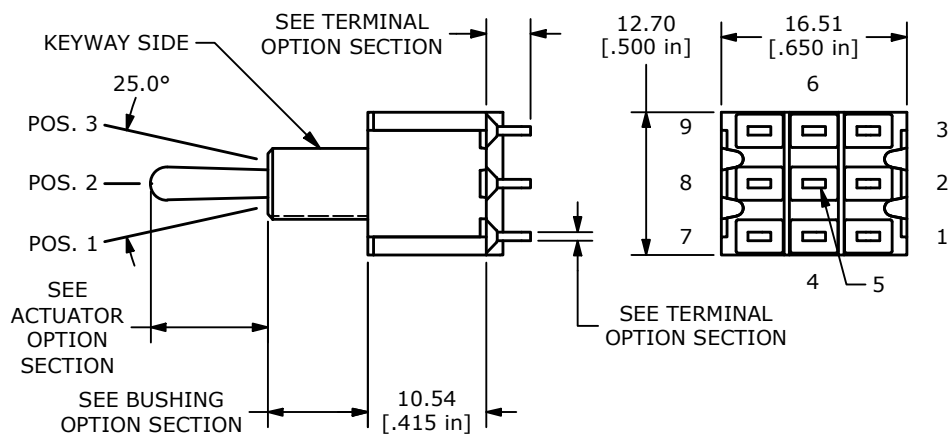
\* = NOT AVAILABLE W/ K1 & K2 ACTUATOR



ANTI-VANDAL SWITCHES  
DETECTOR SWITCHES  
DIP SWITCHES  
KEYLOCK SWITCHES  
NAVIGATION SWITCHES  
PUSHBUTTON SWITCHES  
ROCKER SWITCHES  
ROTARY SWITCHES  
SLIDE SWITCHES  
SNAP ACTION SWITCHES  
TACTILE SWITCHES  
TOGGLE SWITCHES  
CAP OPTIONS

# 100 SERIES TOGGLE SWITCH

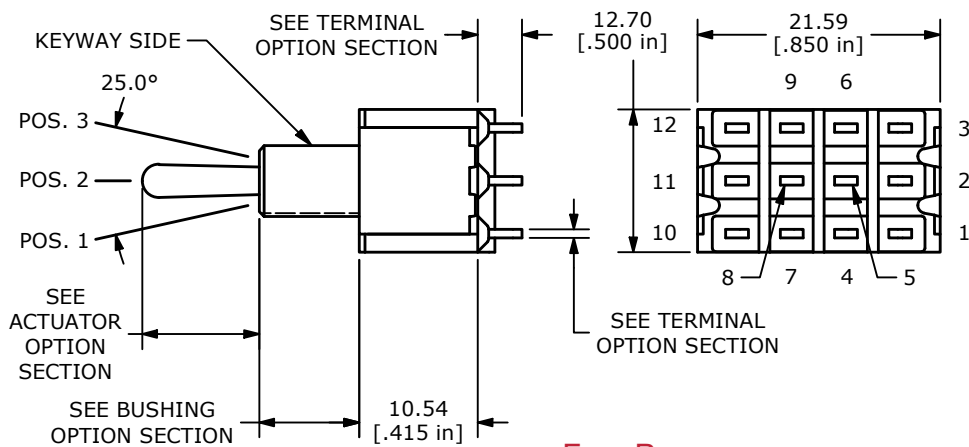
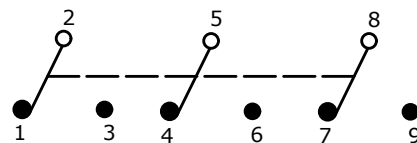
## FUNCTION OPTIONS (CONTINUED)



THREE POLE

MODEL NO.	POS. 1	POS. 2	POS. 3
3P1	ON	NONE	ON
3P2*	ON	NONE	(ON)
3P3	ON	OFF	ON
3P4*	(ON)	OFF	(ON)
3P5	ON	OFF	(ON)
TERMINAL CLOSURE	2-3, 5-6, 8-9	OPEN	2-1, 5-4, 8-7

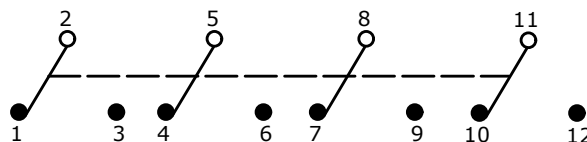
( ) = MOMENTARY  
\* = NOT AVAILABLE W/ K1 & K2 ACTUATOR



FOUR POLE

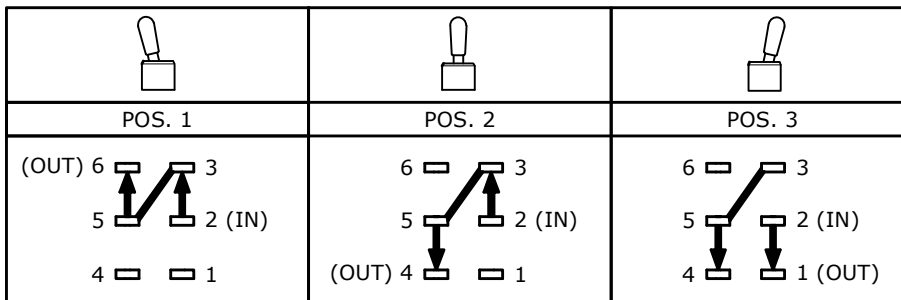
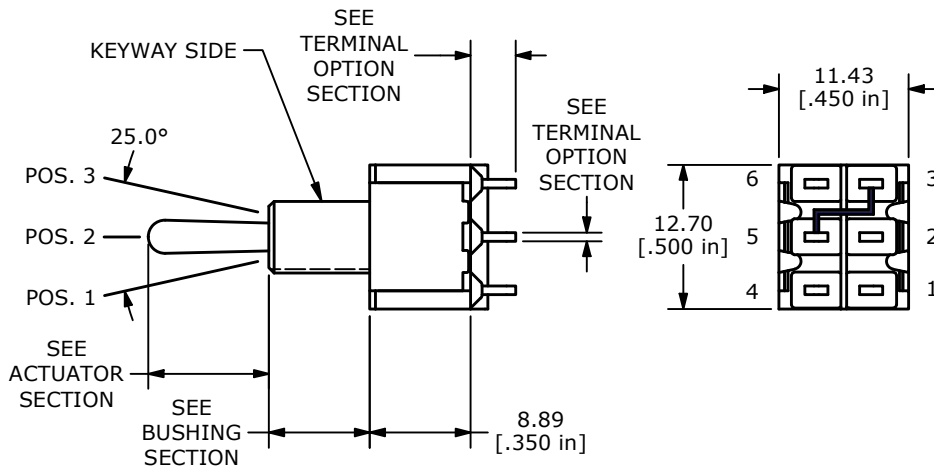
MODEL NO.	POS. 1	POS. 2	POS. 3
4P1	ON	NONE	ON
4P2*	ON	NONE	(ON)
4P3	ON	OFF	ON
4P4*	(ON)	OFF	(ON)
4P5*	ON	OFF	(ON)
4P6	ON	ON	ON
4P7*	ON	ON	(ON)
4P8*	(ON)	ON	(ON)
TERMINAL CLOSURE	2-3, 5-6, 8-9, 11-12	2-3, 5-4, 8-9, 11-10	2-1, 5-4, 8-7, 11-10

( ) = MOMENTARY  
\* = NOT AVAILABLE W/ K1 & K2 ACTUATOR

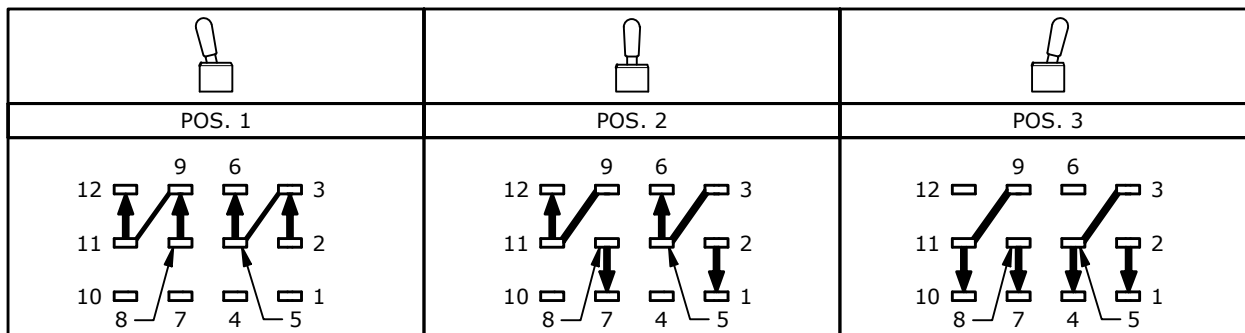
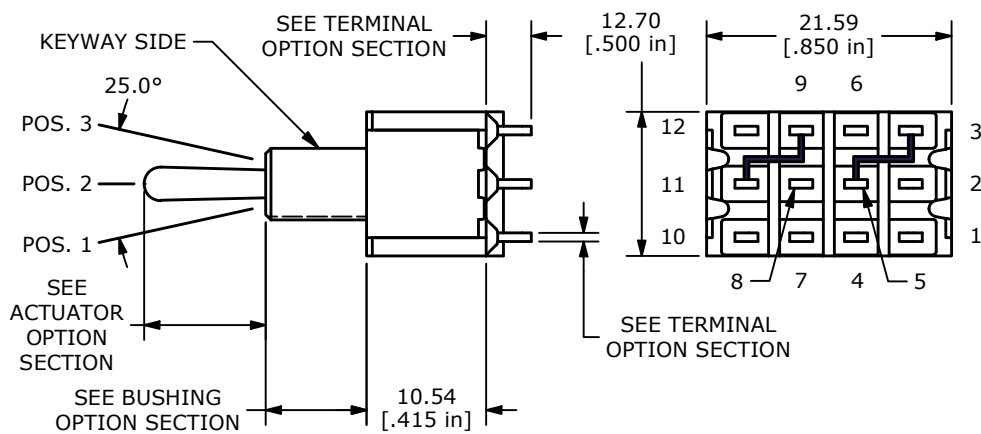


# 100 SERIES TOGGLE SWITCH

## 3 - WAY WIRING DIAGRAM SCHEMATICS



BOTTOM VIEW FOR DP6, DP7, DP8



BOTTOM VIEW FOR 4P6, 4P7, 4P8

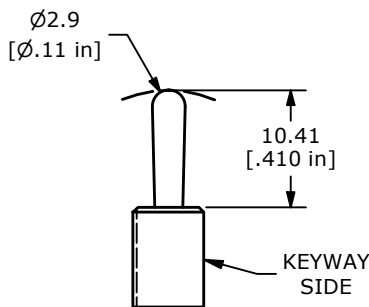


ANTI-VANDAL SWITCHES  
DETECTOR SWITCHES  
DIP SWITCHES  
KEYLOCK SWITCHES  
NAVIGATION SWITCHES  
PUSHBUTTON SWITCHES  
ROCKER SWITCHES  
ROTARY SWITCHES  
SLIDE SWITCHES  
SNAP ACTION SWITCHES  
TACTILE SWITCHES  
TOGGLE SWITCHES  
CAP OPTIONS

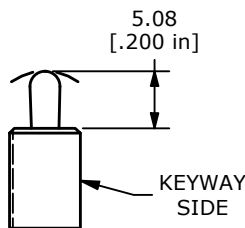
# 100 SERIES TOGGLE SWITCH

## ACTUATOR OPTIONS

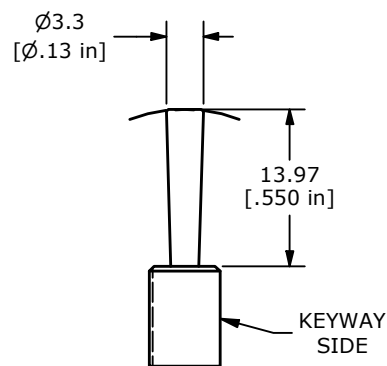
ANTI-VANDAL SWITCHES  
DETECTOR SWITCHES  
DIP SWITCHES  
KEYLOCK SWITCHES  
NAVIGATION SWITCHES  
PUSHBUTTON SWITCHES  
ROCKER SWITCHES  
ROTARY SWITCHES  
SLIDE SWITCHES  
SNAP ACTION SWITCHES  
TACTILE SWITCHES  
TOGGLE SWITCHES  
CAP OPTIONS



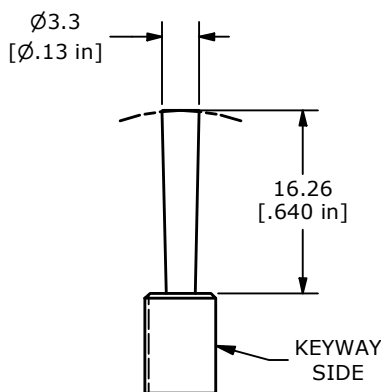
T1\*



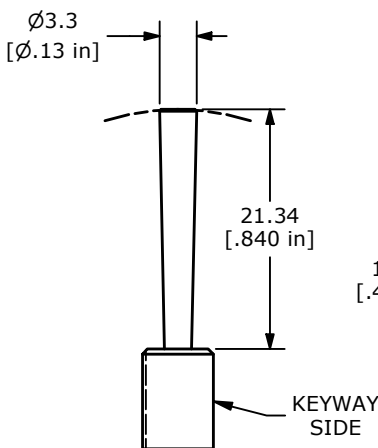
T2\*



T3\*

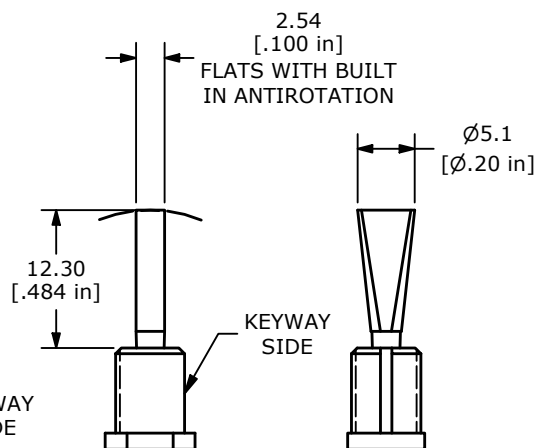


T4\*



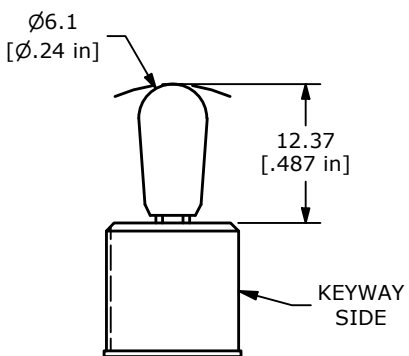
T5\*

B3, B4 BUSHING  
STANDARD



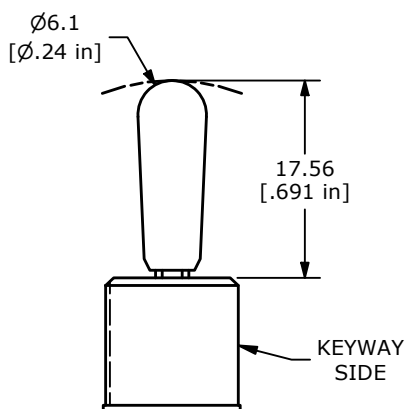
T6

USE WITH B11, B12,  
B15, B16 ONLY



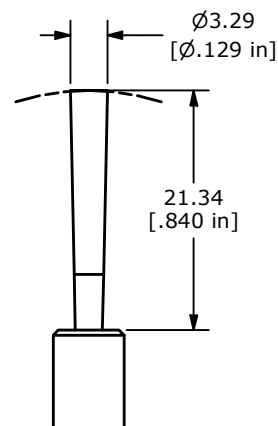
T7

USE WITH B13



T8

USE WITH B13



T9\*

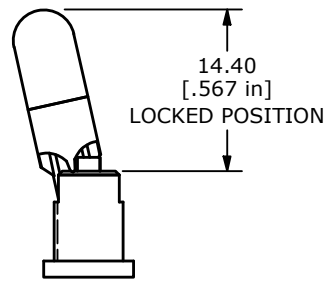
B1, B2  
STANDARD

\* ADD 1.78 [0.070] FOR B3, B4  
SUBTRACT 0.51 [0.020] FOR B6

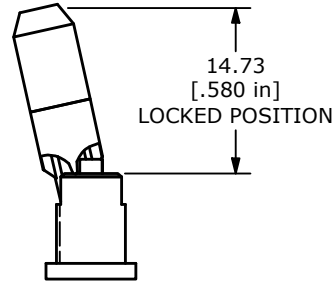


# 100 SERIES TOGGLE SWITCH

## ACTUATOR OPTIONS (CONTINUED)

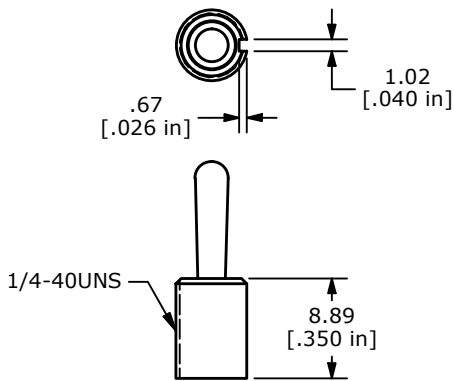


**K1**  
B25, B26 ONLY

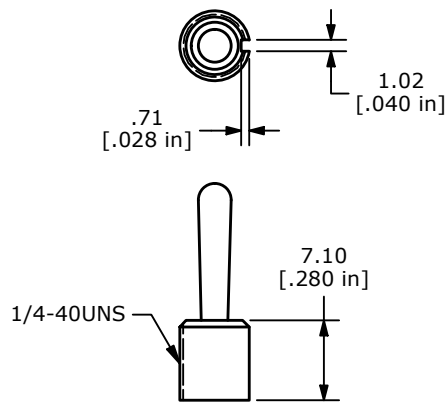


**K2**  
B25, B26 ONLY

## BUSHING OPTIONS

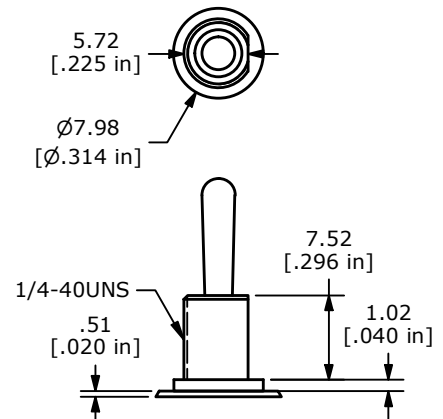


**B1 - THD STD**  
**B2 - NON-THD**

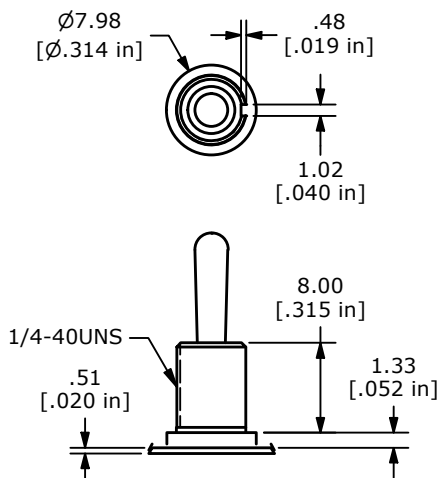


**B3 - THD STD**  
**B4 - NON-THD**

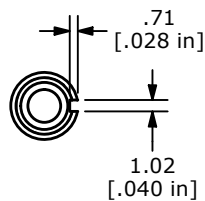
B4 - STD FOR M6, M7,  
AND VS TERMINATIONS



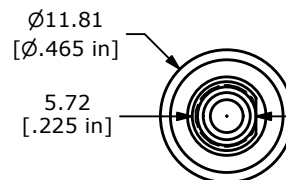
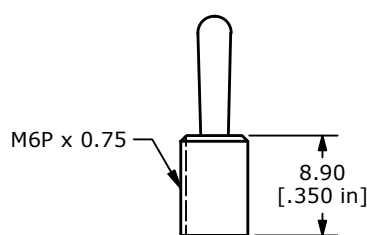
**B5 - HIGH TORQUE**



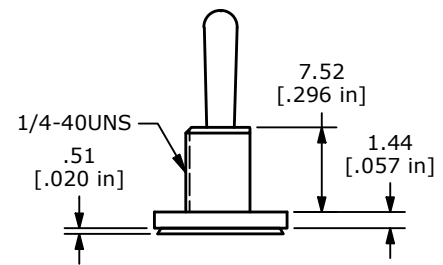
**B6 - HIGH TORQUE**



**B8 - METRIC THD**



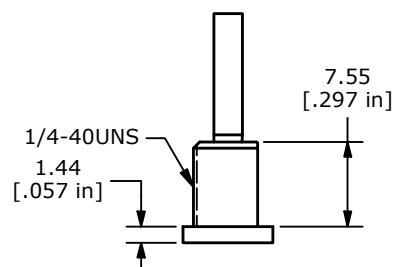
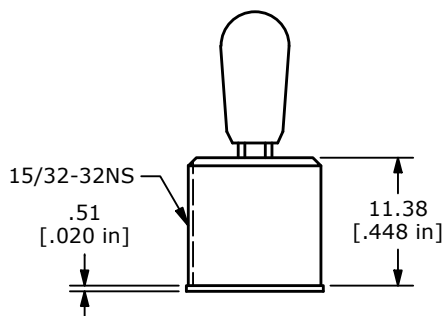
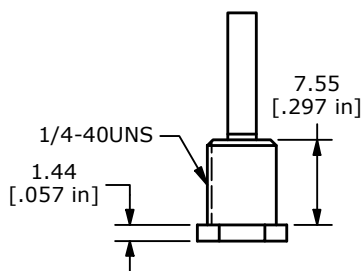
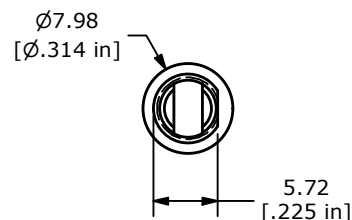
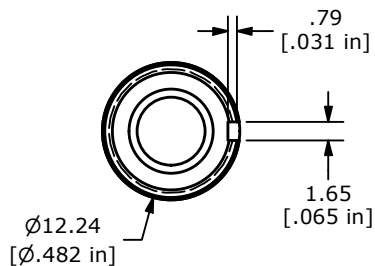
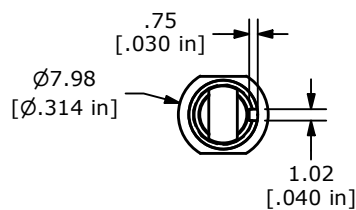
**B9 - SPLASH PROOF**



ANTI-VANDAL SWITCHES  
DETECTOR SWITCHES  
DIP SWITCHES  
KEYLOCK SWITCHES  
NAVIGATION SWITCHES  
PUSHBUTTON SWITCHES  
ROCKER SWITCHES  
ROTARY SWITCHES  
SLIDE SWITCHES  
SNAP ACTION SWITCHES  
TACTILE SWITCHES  
TOGGLE SWITCHES  
CAP OPTIONS

# 100 SERIES TOGGLE SWITCH

## BUSHING OPTIONS (CONTINUED)



**B11 - THD STD**  
**B12 - NON-THD**

T6  
ACTUATOR ONLY

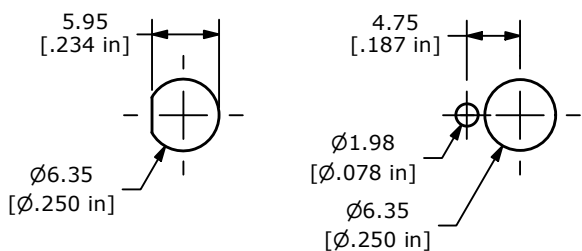
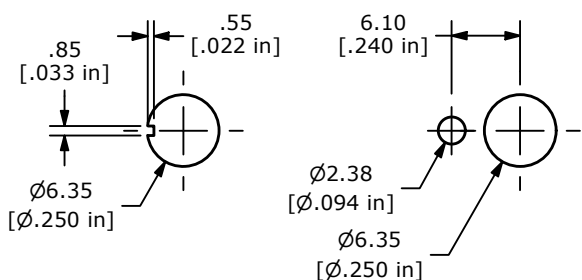
**B13**

T7, T8  
ACTUATORS ONLY

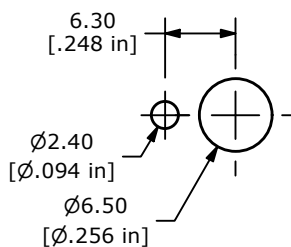
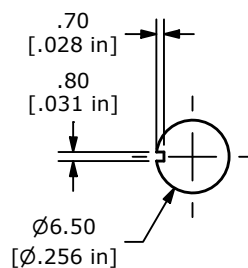
**B15 - THD STD**  
**B16 - NON-THD**

T6  
ACTUATOR ONLY

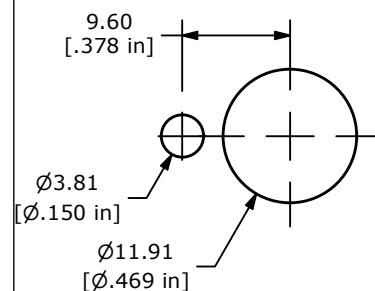
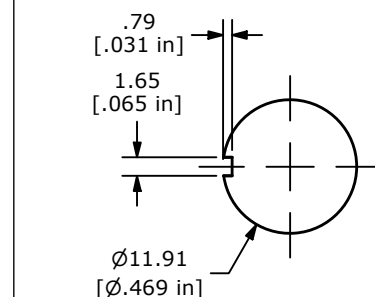
## BUSHING OPTIONS PANEL MOUNTING



1/4 IN. BUSHING



METRIC BUSHING



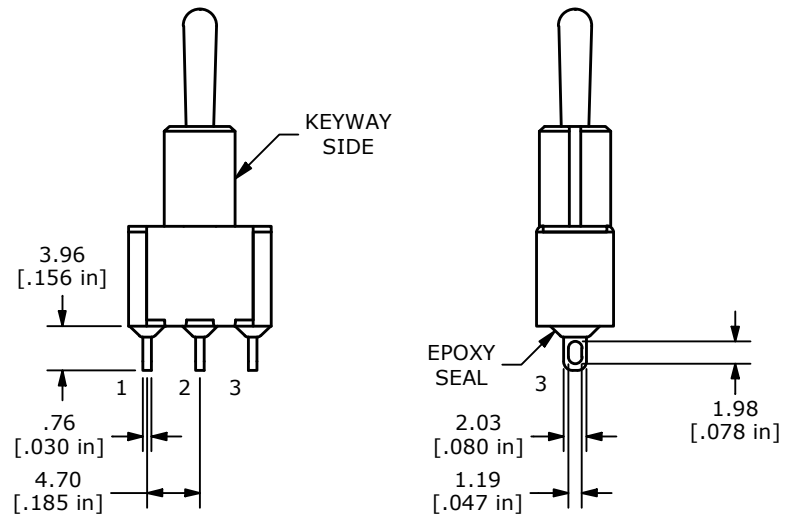
15/32 IN. BUSHING



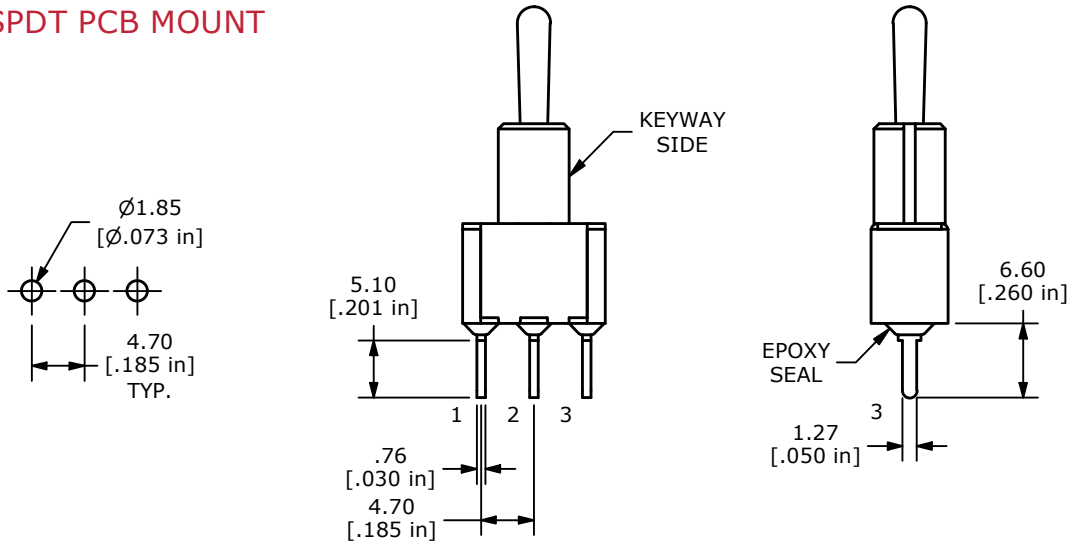
# 100 SERIES TOGGLE SWITCH

## TERMINATION OPTIONS

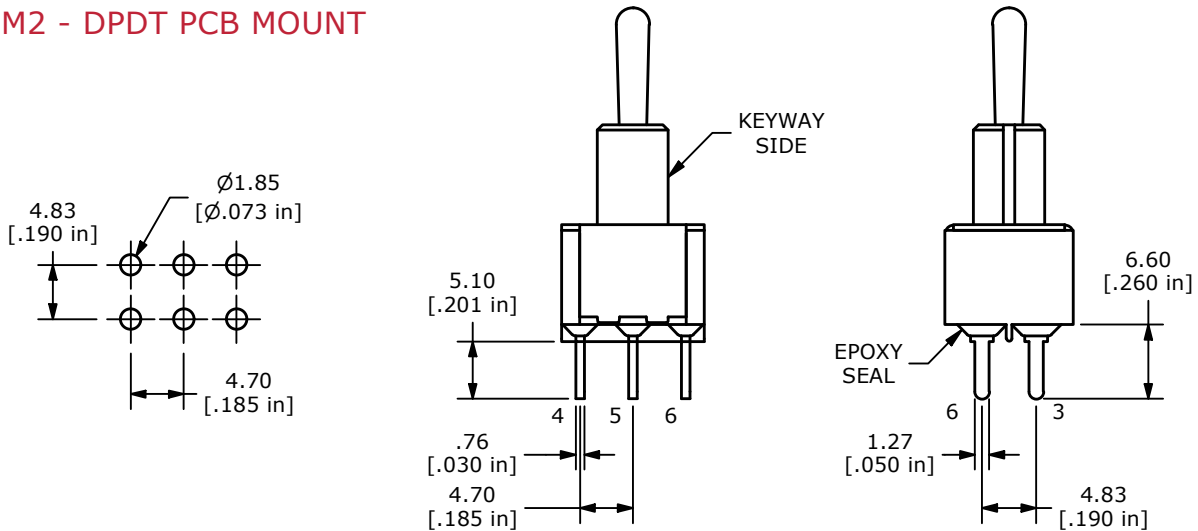
### M1 - SOLDER LUG



### M2 - SPDT PCB MOUNT



### M2 - DPDT PCB MOUNT



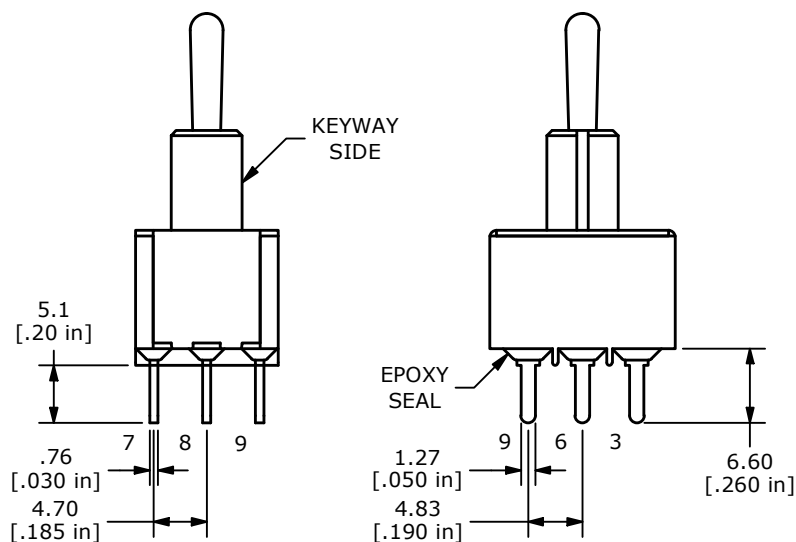
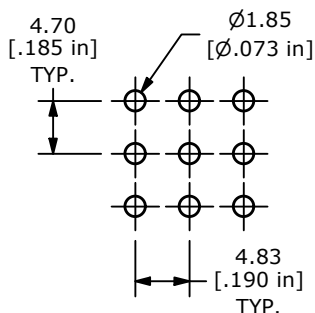
ANTI-VANDAL SWITCHES  
 DETECTOR SWITCHES  
 DIP SWITCHES  
 KEYLOCK SWITCHES  
 NAVIGATION SWITCHES  
 PUSHBUTTON SWITCHES  
 ROCKER SWITCHES  
 ROTARY SWITCHES  
 SLIDE SWITCHES  
 SNAP ACTION SWITCHES  
 TACTILE SWITCHES  
 TOGGLE SWITCHES  
 CAP OPTIONS



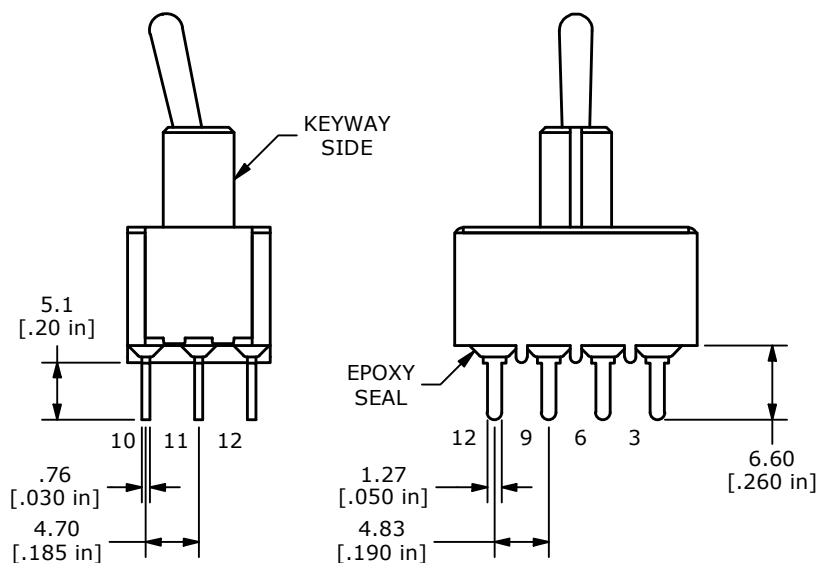
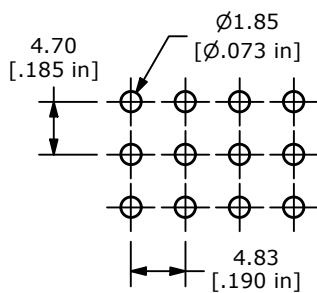
# 100 SERIES TOGGLE SWITCH

## TERMINATION OPTIONS

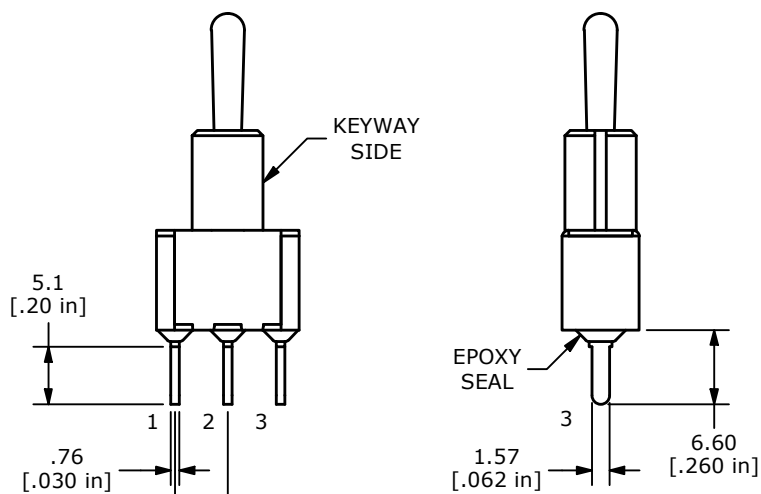
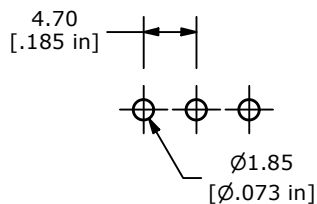
### M2 - 3PDT PCB MOUNT



### M2 - 4PDT PCB MOUNT



### M3 - QUICK CONNECT

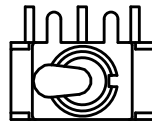
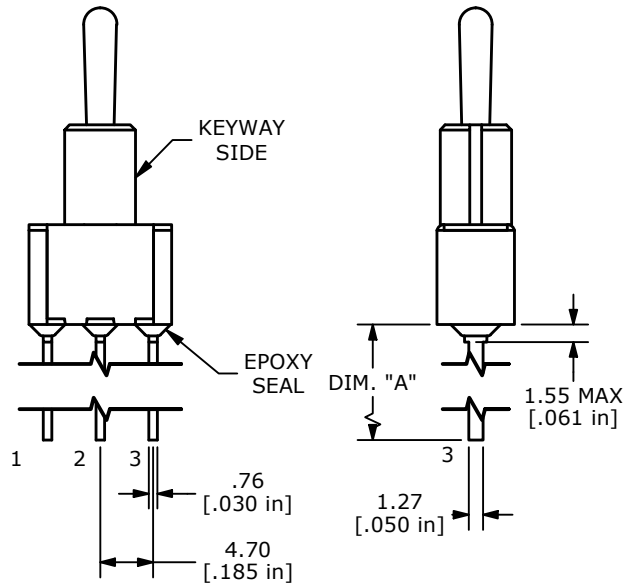


# 100 SERIES TOGGLE SWITCH

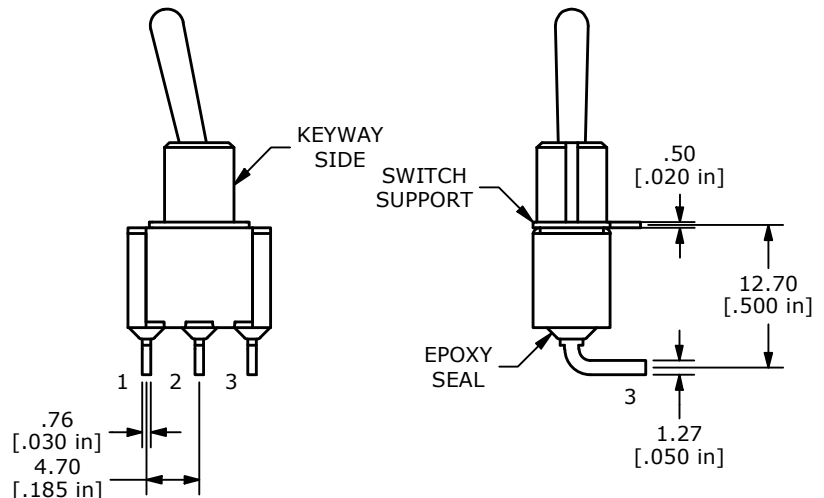
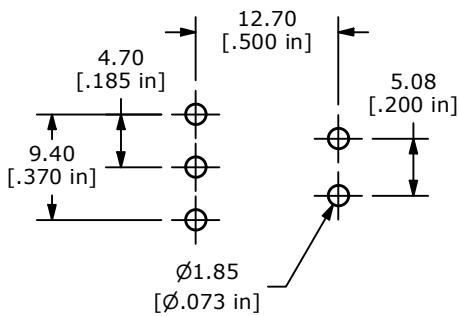
## TERMINATION OPTIONS

### M5 - WIRE WRAP

OPTION CODE	DIM "A"
M51	18.70 [0.736 in]
M52	24.20 [0.953 in]
M53	10.55 [0.415 in]
M54	26.97 [1.062 in]



### M6 - SP HORIZONTAL RIGHT ANGLE PCB MOUNT

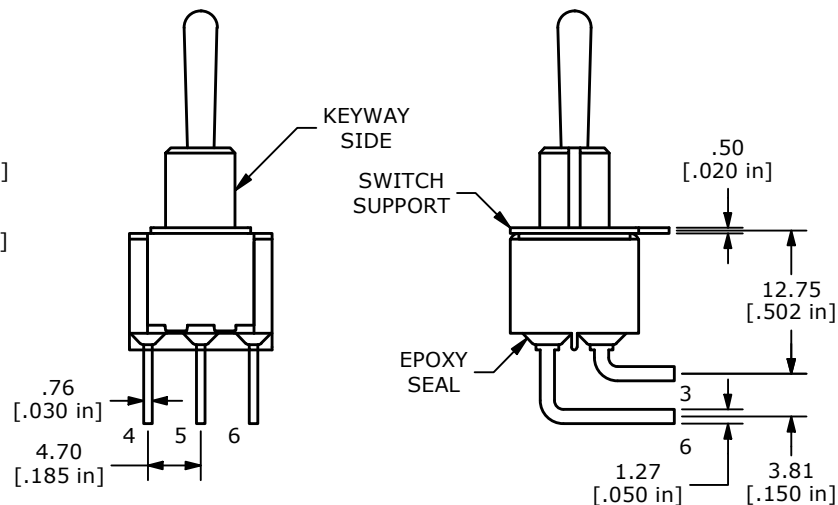
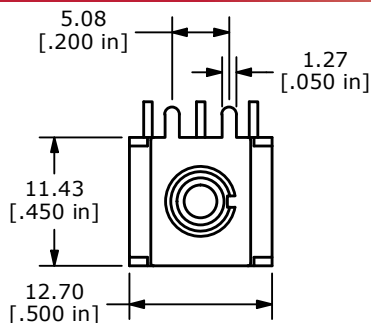
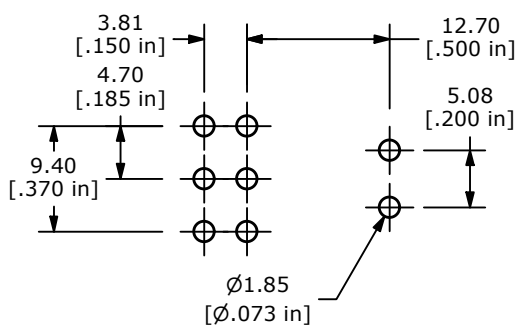


# 100 SERIES TOGGLE SWITCH

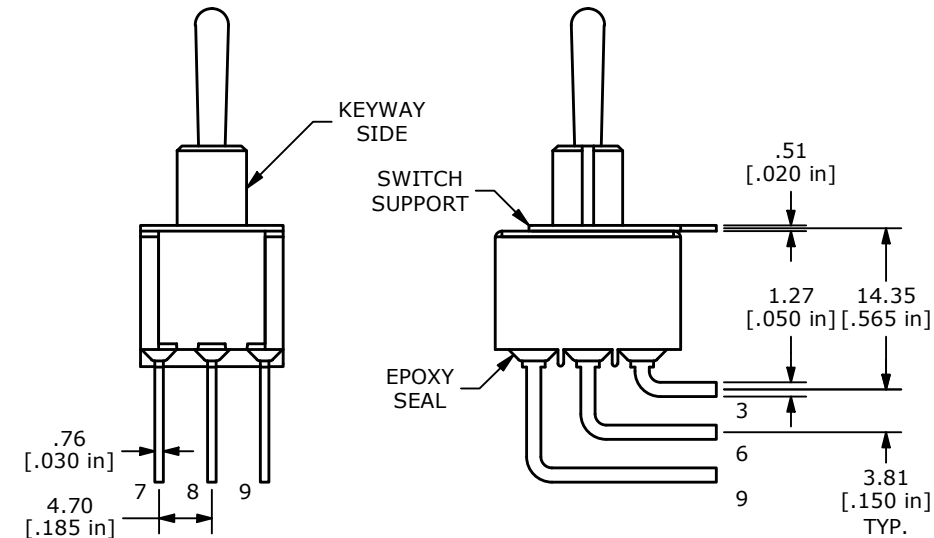
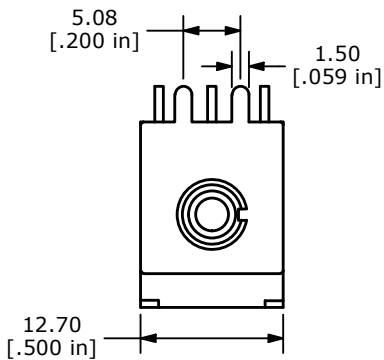
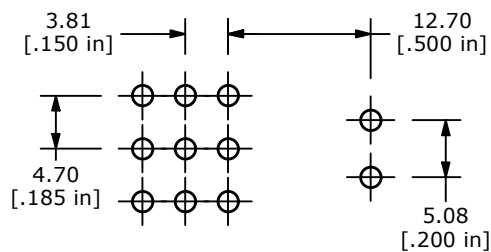
## TERMINATION OPTIONS

- ANTI-VANDAL SWITCHES
- DETECTOR SWITCHES
- DIP SWITCHES
- KEYLOCK SWITCHES
- NAVIGATION SWITCHES
- PUSHBUTTON SWITCHES
- ROCKER SWITCHES
- ROTARY SWITCHES
- SLIDE SWITCHES
- SNAP ACTION SWITCHES
- TACTILE SWITCHES
- TOGGLE SWITCHES**
- CAP OPTIONS

### M6 - DP HORIZONTAL RIGHT ANGLE PCB MOUNT



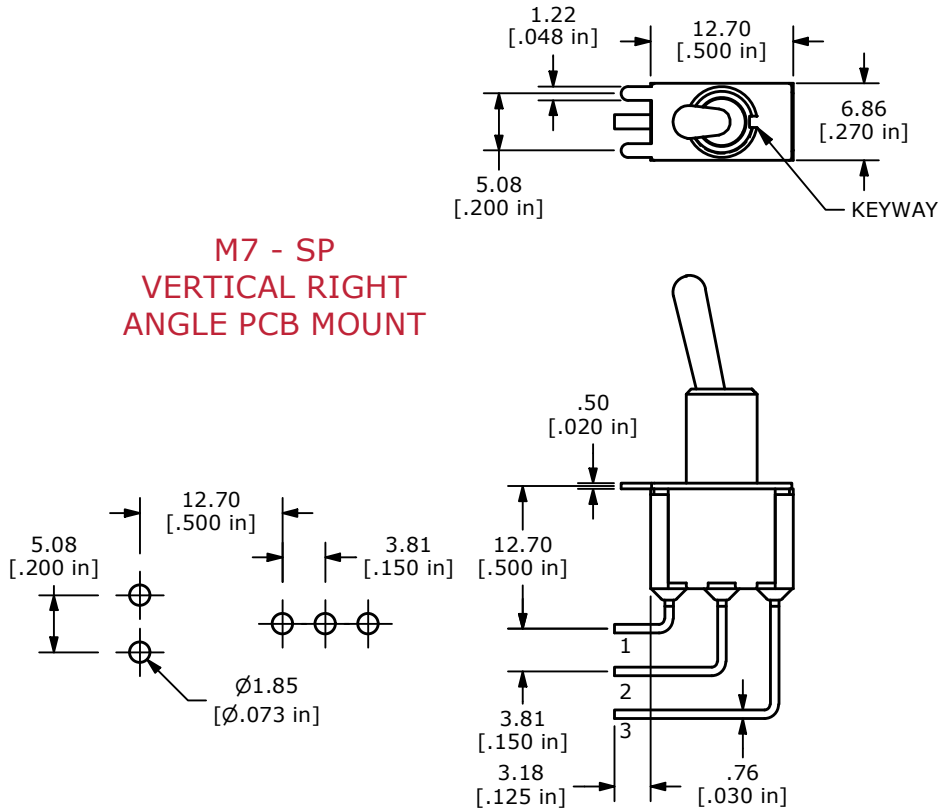
### M6 - 3P HORIZONTAL RIGHT ANGLE PCB MOUNT



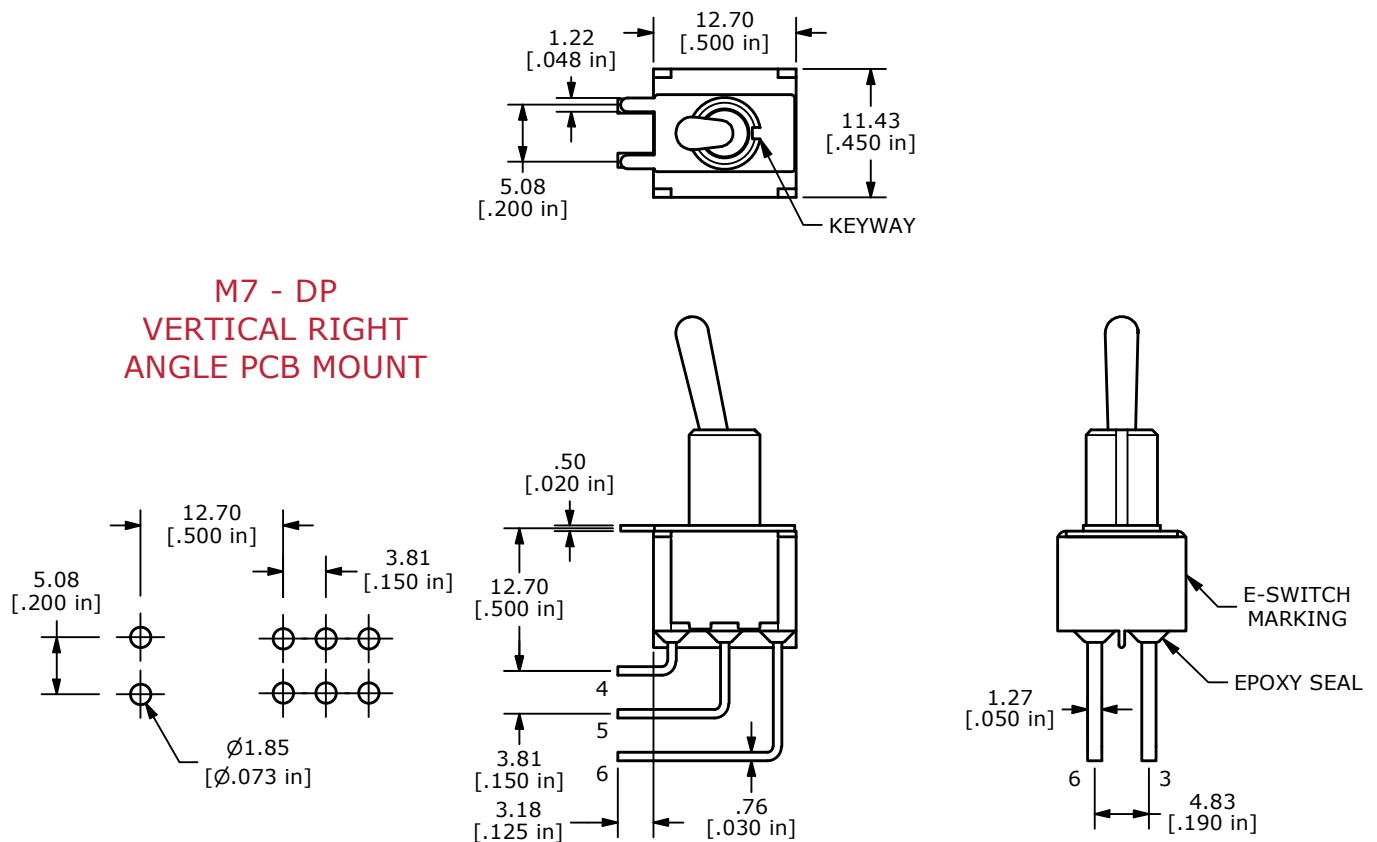
# 100 SERIES TOGGLE SWITCH

## TERMINATION OPTIONS

### M7 - SP VERTICAL RIGHT ANGLE PCB MOUNT



### M7 - DP VERTICAL RIGHT ANGLE PCB MOUNT



ANTI-VANDAL SWITCHES  
DETECTOR SWITCHES  
DIP SWITCHES  
KEYLOCK SWITCHES  
NAVIGATION SWITCHES  
PUSHBUTTON SWITCHES  
ROCKER SWITCHES  
ROTARY SWITCHES  
SLIDE SWITCHES  
SNAP ACTION SWITCHES  
TACTILE SWITCHES  
TOGGLE SWITCHES  
CAP OPTIONS

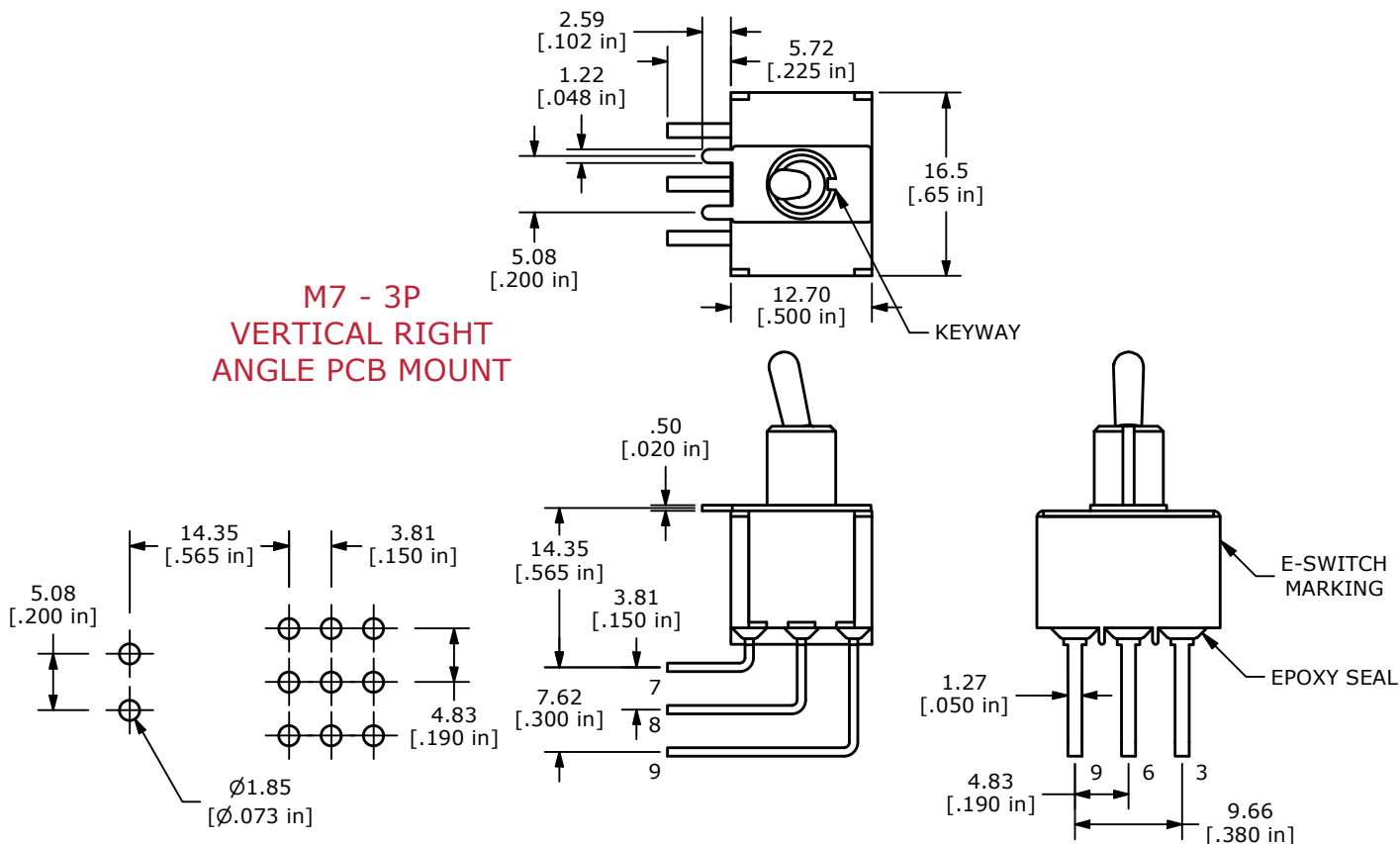


# 100 SERIES TOGGLE SWITCH

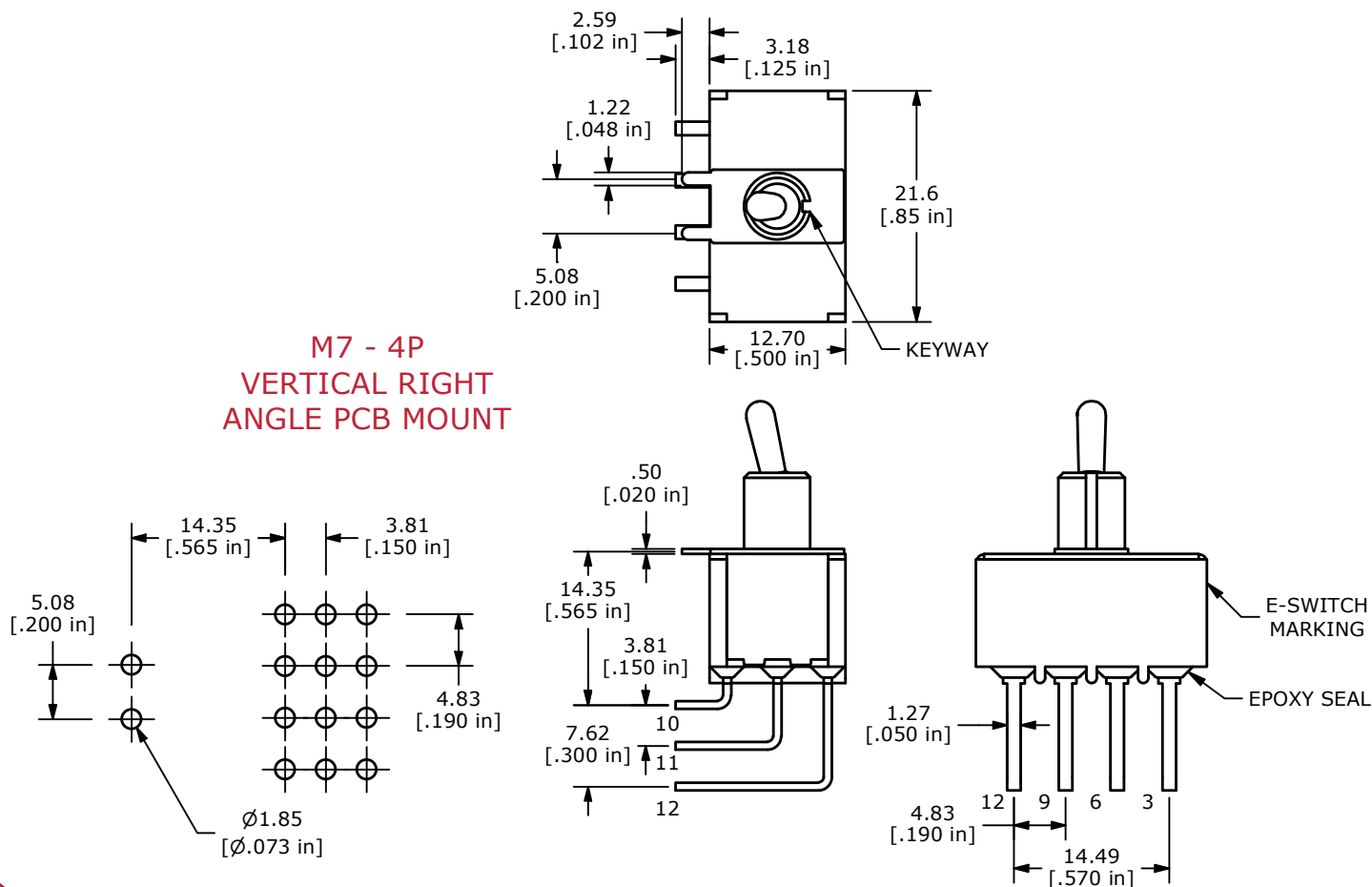
## TERMINATION OPTIONS

- ANTI-VANDAL SWITCHES
- DETECTOR SWITCHES
- DIP SWITCHES
- KEYLOCK SWITCHES
- NAVIGATION SWITCHES
- PUSHBUTTON SWITCHES
- ROCKER SWITCHES
- ROTARY SWITCHES
- SLIDE SWITCHES
- SNAP ACTION SWITCHES
- TACTILE SWITCHES
- TOGGLE SWITCHES**
- CAP OPTIONS

**M7 - 3P  
VERTICAL RIGHT  
ANGLE PCB MOUNT**



**M7 - 4P  
VERTICAL RIGHT  
ANGLE PCB MOUNT**

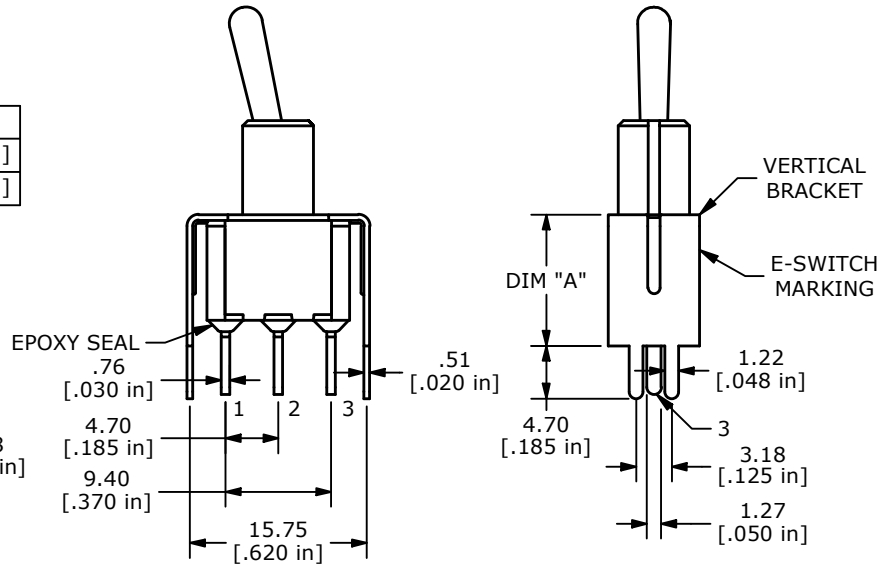
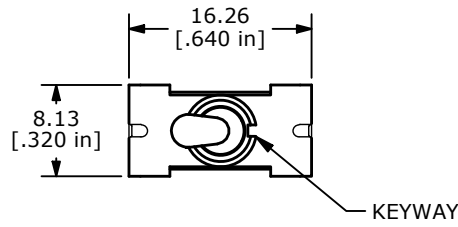
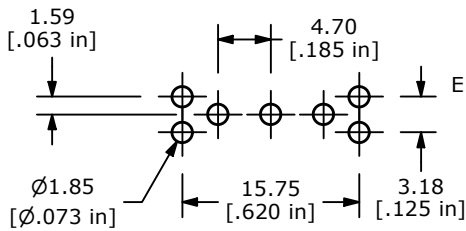


# 100 SERIES TOGGLE SWITCH

## TERMINATION OPTIONS

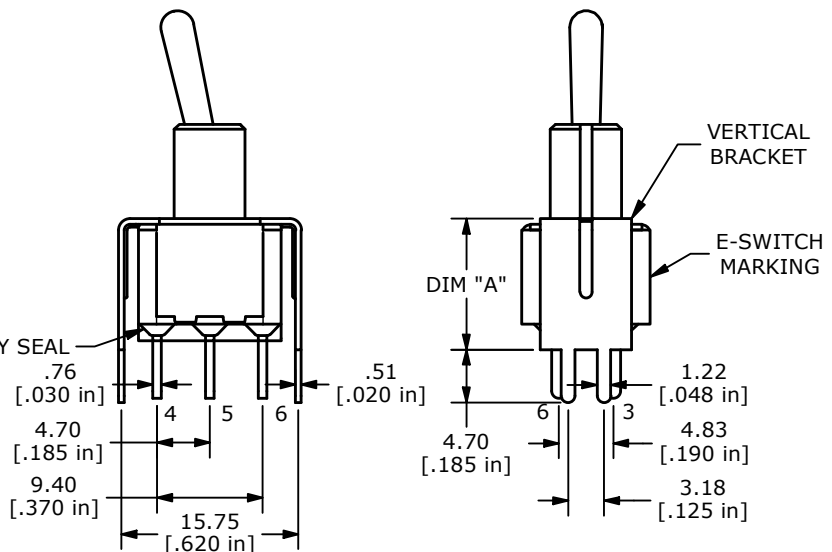
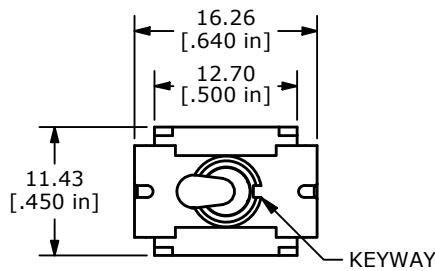
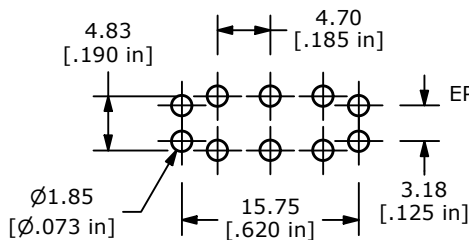
### VS2 - VS3 - SP VERTICAL BRACKET PCB MOUNT (REQUIRES M2 TERMINATION)

OPTION CODE	DIM "A"
VS2	11.68 [0.460 in]
VS3	16.00 [0.630 in]



### VS2 - VS3 - DP VERTICAL BRACKET PCB MOUNT (REQUIRES M2 TERMINATION)

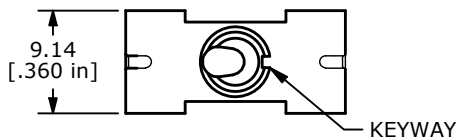
OPTION CODE	DIM "A"
VS2	11.68 [0.460 in]
VS3	16.00 [0.630 in]



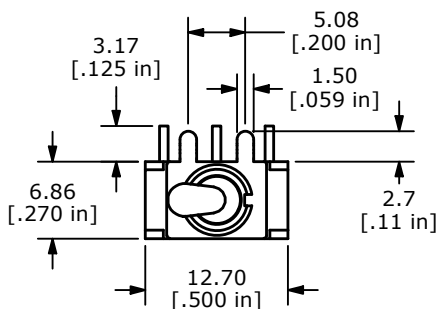
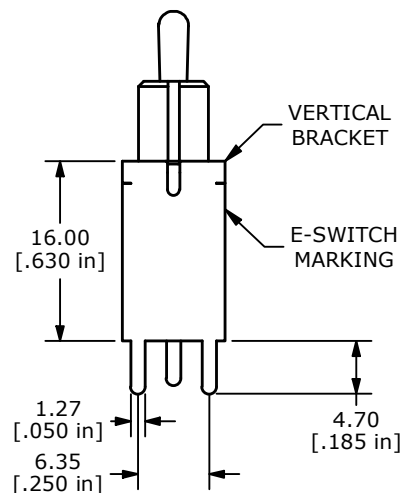
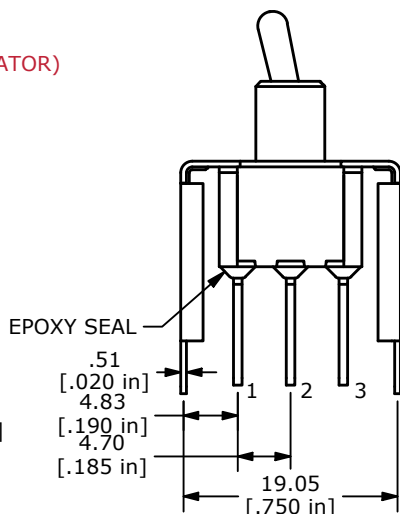
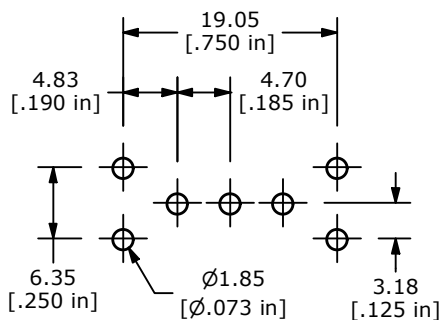
# 100 SERIES TOGGLE SWITCH

## TERMINATION OPTIONS

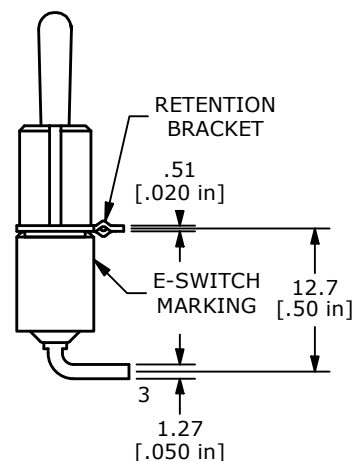
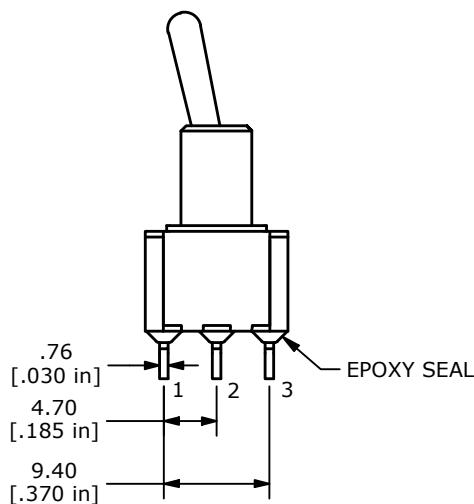
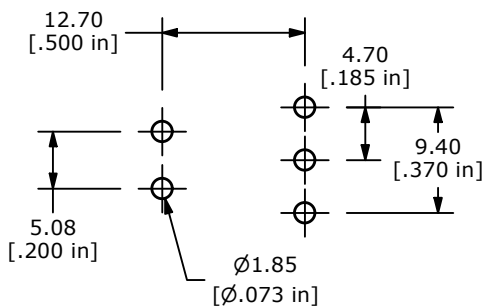
- ANTI-VANDAL SWITCHES
- DETECTOR SWITCHES
- DIP SWITCHES
- KEYLOCK SWITCHES
- NAVIGATION SWITCHES
- PUSHBUTTON SWITCHES
- ROCKER SWITCHES
- ROTARY SWITCHES
- SLIDE SWITCHES
- SNAP ACTION SWITCHES
- TACTILE SWITCHES
- TOGGLE SWITCHES**
- CAP OPTIONS



**VS5 - SP**  
**VERTICAL BRACKET**  
**PCB MOUNT**  
 (NOT AVAILABLE w/K1 OR K2 ACTUATOR)

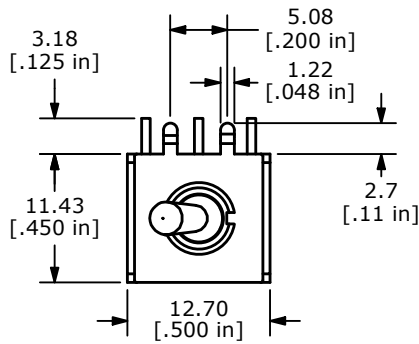


**M61 - SP**  
**HORIZONTAL RT.**  
**ANGLE PCB MOUNT**  
 (w/ RETENTION BRACKET)

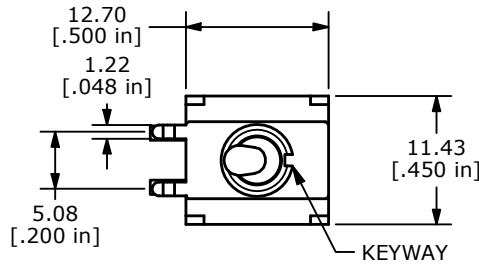
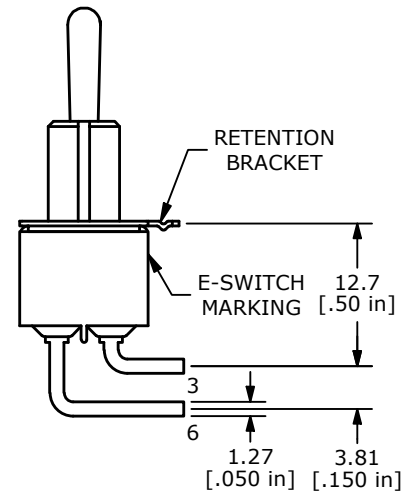
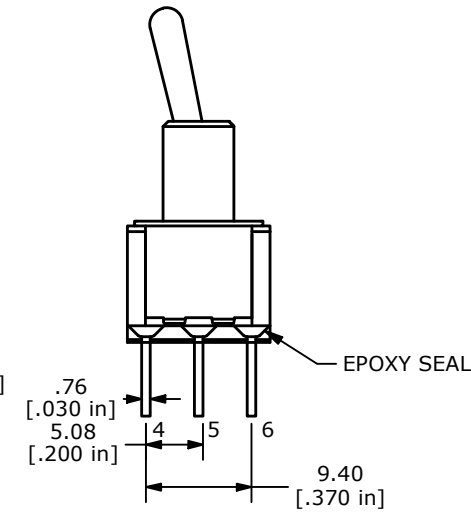
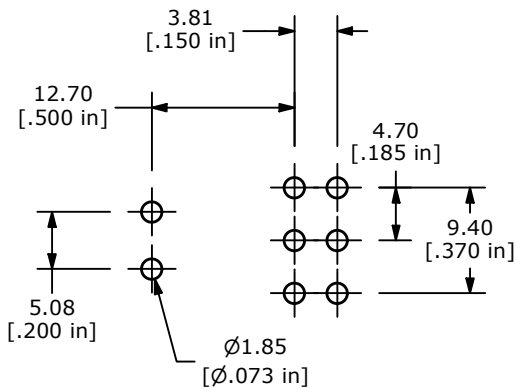


# 100 SERIES TOGGLE SWITCH

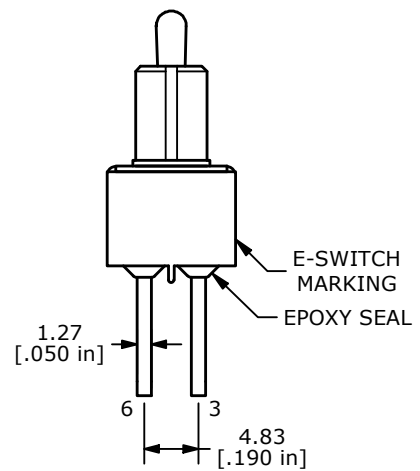
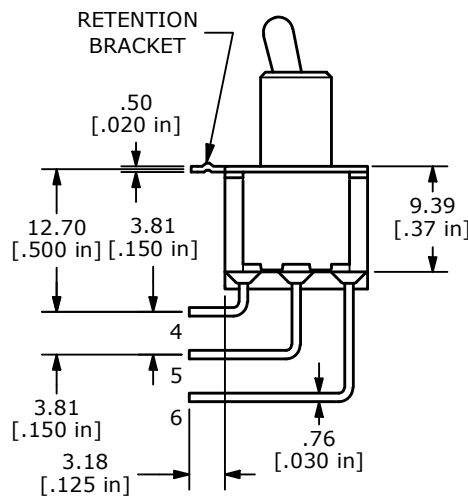
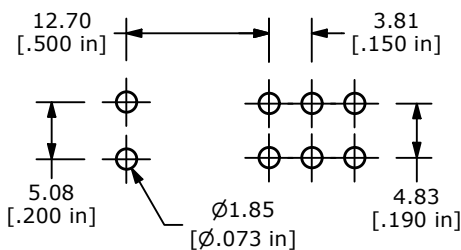
## TERMINATION OPTIONS



**M61 - DP  
HORIZONTAL RT.  
ANGLE PCB MOUNT  
(w/RETENTION BRACKET)**



**M71 - DP  
VERTICAL RT.  
ANGLE PCB MOUNT  
(w/RETENTION BRACKET)**



ANTI-VANDAL SWITCHES  
DETECTOR SWITCHES  
DIP SWITCHES  
KEYLOCK SWITCHES  
NAVIGATION SWITCHES  
PUSHBUTTON SWITCHES  
ROCKER SWITCHES  
ROTARY SWITCHES  
SLIDE SWITCHES  
SNAP ACTION SWITCHES  
TACTILE SWITCHES  
TOGGLE SWITCHES  
CAP OPTIONS

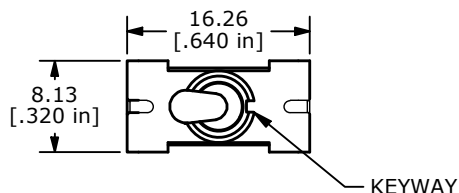
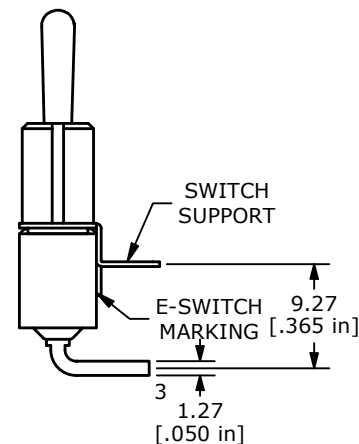
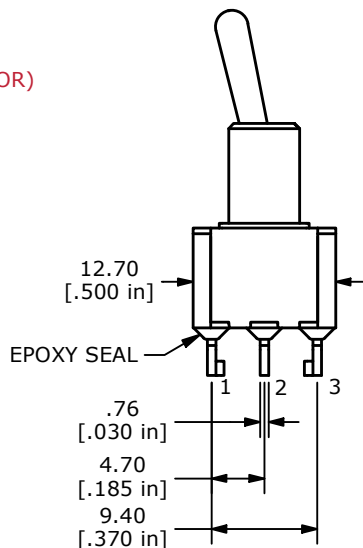
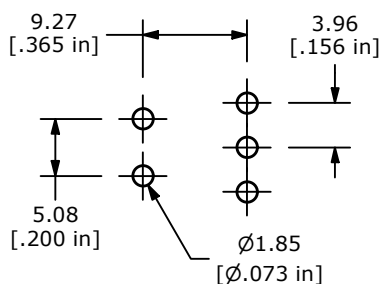
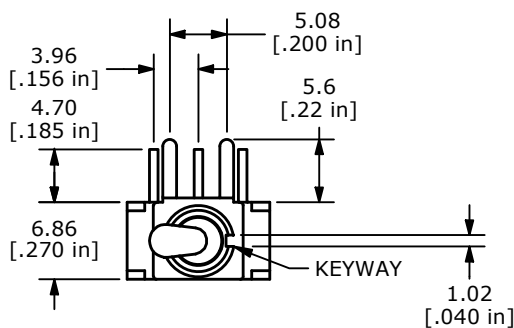


# 100 SERIES TOGGLE SWITCH

## TERMINATION OPTIONS

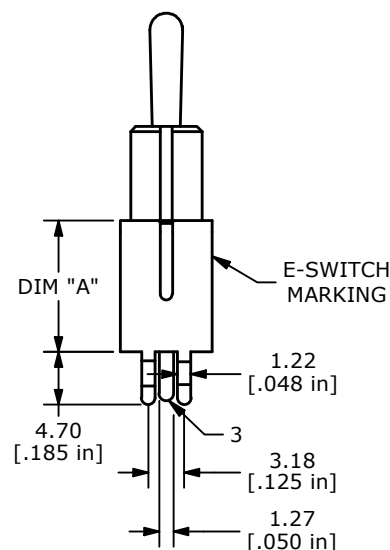
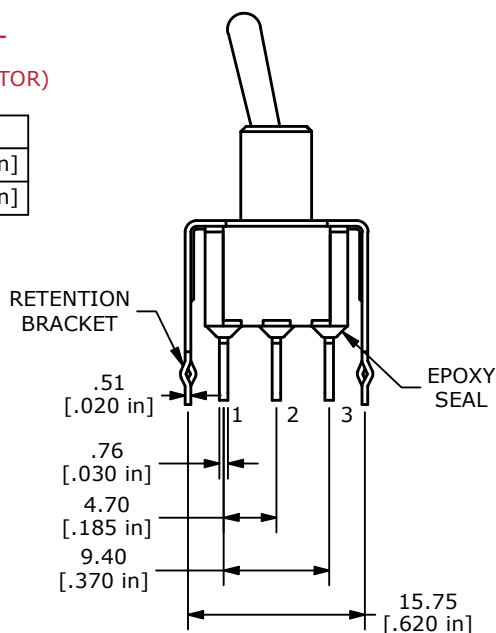
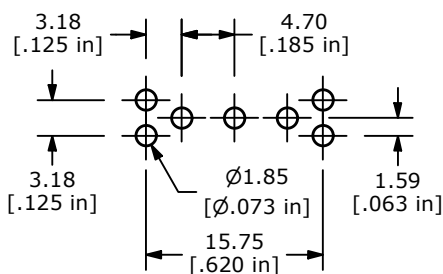
ANTI-VANDAL SWITCHES  
DETECTOR SWITCHES  
DIP SWITCHES  
KEYLOCK SWITCHES  
NAVIGATION SWITCHES  
PUSHBUTTON SWITCHES  
ROCKER SWITCHES  
ROTARY SWITCHES  
SLIDE SWITCHES  
SNAP ACTION SWITCHES  
TACTILE SWITCHES  
TOGGLE SWITCHES  
CAP OPTIONS

### M64 - SP HORIZONTAL RT. ANGLE PCB MOUNT (NOT AVAILABLE w/K1 OR K2 ACTUATOR)



### VS21 - VS31 - SP VERTICAL PCB MOUNT (NOT AVAILABLE w/K1 OR K2 ACTUATOR)

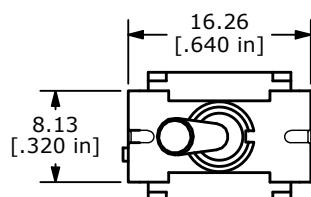
OPTION CODE	DIM "A"
VS21	11.68 [0.460 in]
VS31	16.00 [0.630 in]



# 100 SERIES TOGGLE SWITCH

## TERMINATION OPTIONS

ANTI-VANDAL SWITCHES  
 DETECTOR SWITCHES  
 DIP SWITCHES  
 KEYLOCK SWITCHES  
 NAVIGATION SWITCHES  
 PUSHBUTTON SWITCHES  
 ROCKER SWITCHES  
 ROTARY SWITCHES  
 SLIDE SWITCHES  
 SNAP ACTION SWITCHES  
 TACTILE SWITCHES  
**TOGGLE SWITCHES**  
 CAP OPTIONS



**VS21 - VS31 - DP**  
**VERTICAL PCB MOUNT**  
 (NOT AVAILABLE w/K1 OR K2 ACTUATOR)

OPTION CODE	DIM "A"
VS21	11.68 [0.460 in]
VS31	16.00 [0.630 in]

