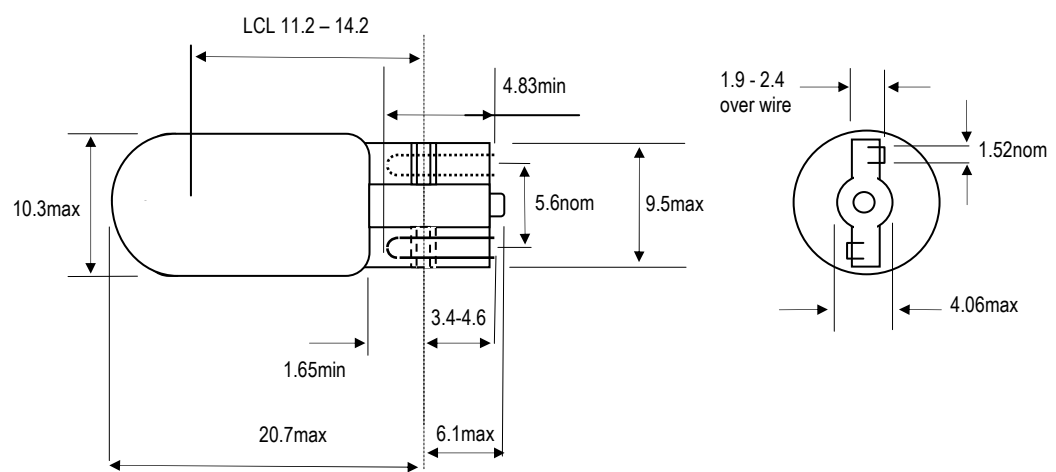


Description : **T-3¼(10mm) Wedge base lamp 24V 2W**

Dimensional Characteristics : All dimensions in mm



**Glass components are lead-free**  
 Bead colour: White  
 Filament construction C-2F  
 All dimensions in mm

**Marking**

**SLI 513**  
**24V 2W**

**Performance Characteristics @ 28 volts**

	Nominal	Minimum	Maximum
Current(mA)	95	86	104
Light output(Lm)	13	10	16
Life(hrs)	5,000		