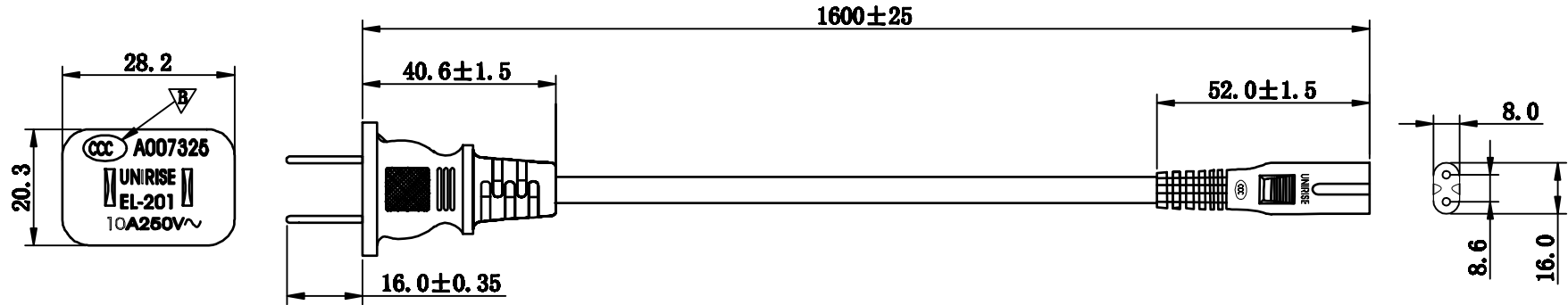
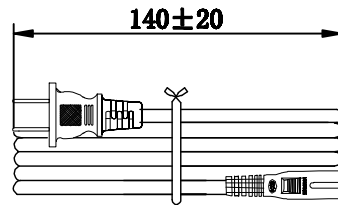


标记	版次	变更内容	日期
	A版	新版图面	2016-09-5
▽B	B版	为提高生产效率, 提高产品质量, 去掉3C位置“s”字号	2018-09-27

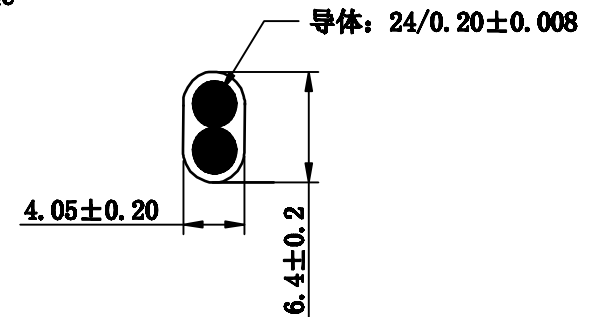


线材印字内容:

H05VVH2-F 2X0.75 mm² <VDE> KEMA-KEUR +S +S +S (FI) (D) (N) (S) IEMMEQU
NSW23360 CCC A007325 60227 IEC 53(RVV) 300/500V 2X0.75mm² UNIRISE A



扎线示意图



NOTES:

1. CABLE: THE CORD SHALL COMPLY WITH GB5023
2. PLUG: THE MOLDED PLUG SHALL COMPLY WITH GB2099-4;
3. CONNECTOR: THE MOLDED CONNECTOR SHALL COMPLY WITH GB1002
4. THE PRODUCT SHALL BE TESTED 100% FOR ALL SAFETY ELECTRICAL ITEMS
5. COLOR: BLACK

TOLERANCE TABLE	
.0	±0.30
.00	±0.20
.000	±0.05

APPROVED:	DATE:	Ckmtw 深圳市灿科盟实业有限公司 CHANKLEMENT INDUSTRYCO., LTD			
CHECKED:	DATE:	TITLE: 2H/国标两脚插+8字尾 L=1600MM			
DRAWN:	DATE:	PART. NO. /			
LYF	2016-09-5	UNIT	mm	SCALE	free
		FILE NO.	S002020062	REV.	B /