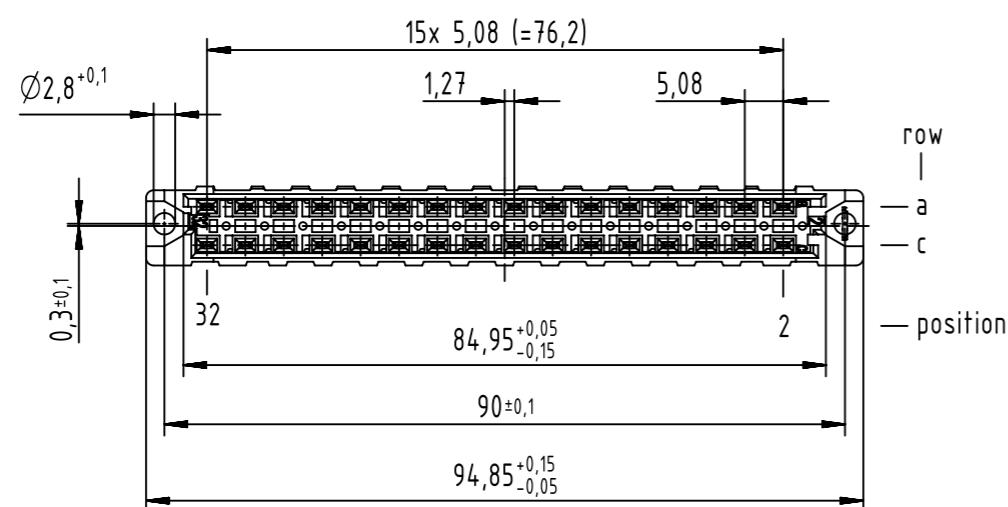
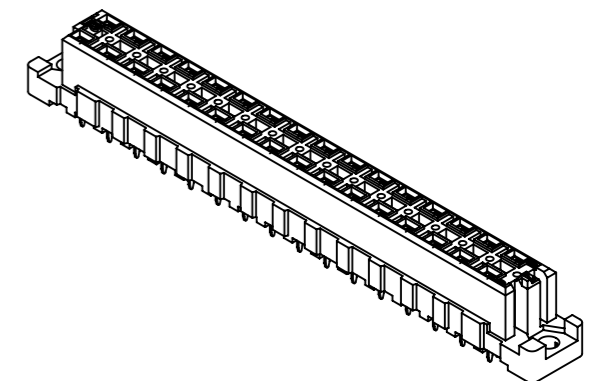
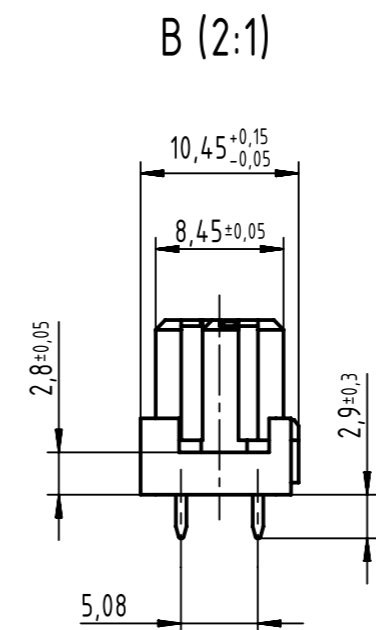
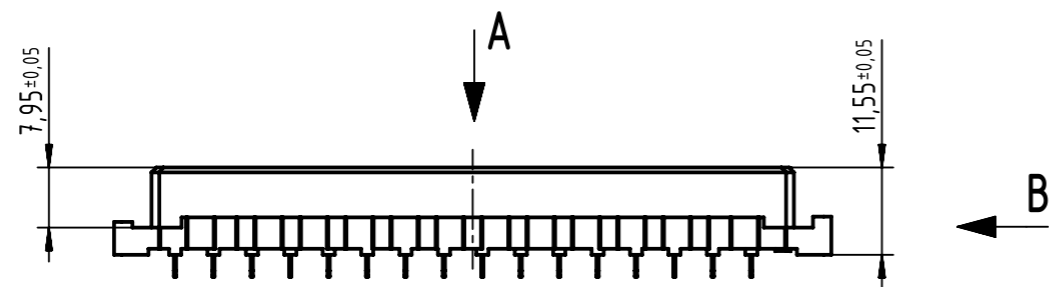


32 solder contacts

☒ = position with contact

☐ = position without contact



1 further information see: DS 09042100001

09 04 232 7832	3
09 04 232 6832	2
09 04 232 2832	1
part no.	performance level 1

	All Dimensions in mm Original Size DIN A3		Scale 1:1	Free size tol. IEC 60603-2		Ref.	
	All rights reserved Department EL PD		Created by LEHNERT	Inspected by DAHMS	Standardisation HOFFMANN	Date 2018-06-27	State Final Release
HARTING Electronics GmbH D-32339 Espelkamp		Title DIN Power type D female solder 2.9 32-pole			Doc-Key / ECM-Nr. 100217573/UGD/011/C 500000131805		Rev. C
		Type TB	Number 0904232X832		Page 1/1		