

1670720-1 ✓ ACTIVE



AMP | Heavy Duty Sealed Connector Series

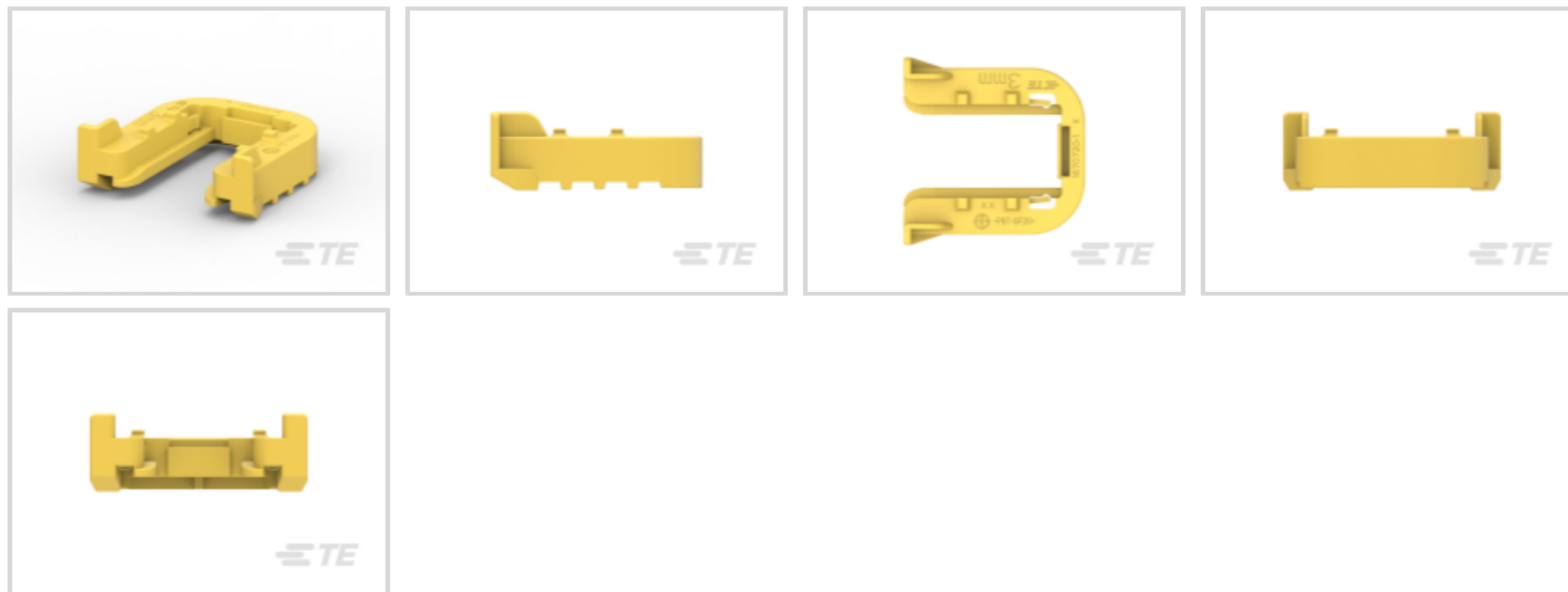
TE Internal #: 1670720-1

Mounting Clip, PBT GF, Yellow, -40 – 140 °C [-40 – 284 °F], Heavy Duty Sealed Connector Series, Other Automotive Connector Accessories

[View on TE.com >](#)

Connectors > Automotive Connectors > Automotive Connector Accessories > Other Automotive Connector Accessories >

Heavy Duty Sealed Connector Series Fixing Slides



Automotive Connector Accessory Type: **Mounting Clip**

Primary Product Material: **PBT GF**

Primary Product Color: **Yellow**

Operating Temperature Range: **-40 – 140 °C [-40 – 284 °F]**

[All Heavy Duty Sealed Connector Series Fixing Slides \(33\)](#)

Features

Product Type Features

Automotive Connector Accessory Type	Mounting Clip
-------------------------------------	---------------

Configuration Features

Number of Positions	2, 6, 7, 8
---------------------	------------

Body Features

Primary Product Material	PBT GF
Primary Product Color	Yellow

Usage Conditions

Compatible With Connector Style	Housing For Male Terminals
Operating Temperature Range	-40 – 140 °C[-40 – 284 °F]

Industry Standards

UL Flammability Rating	UL 94V-0
------------------------	----------

Packaging Features



Packaging Quantity	1000
Packaging Method	Carton

Other

Serviceable	Yes
-------------	-----

Product Compliance

[For compliance documentation, visit the product page on TE.com>](#)

EU RoHS Directive 2011/65/EU	Compliant
EU ELV Directive 2000/53/EC	Compliant
China RoHS 2 Directive MIIT Order No 32, 2016	No Restricted Materials Above Threshold
EU REACH Regulation (EC) No. 1907/2006	Current ECHA Candidate List: JUNE 2024 (241) Candidate List Declared Against: JUNE 2024 (241) Does not contain REACH SVHC
Halogen Content	Not Low Halogen - contains Br or Cl > 900 ppm.
Solder Process Capability	Not applicable for solder process capability

Product Compliance Disclaimer

This information is provided based on reasonable inquiry of our suppliers and represents our current actual knowledge based on the information they provided. This information is subject to change. The part numbers that TE has identified as EU RoHS compliant have a maximum concentration of 0.1% by weight in homogenous materials for lead, hexavalent chromium, mercury, PBB, PBDE, DBP, BBP, DEHP, DIBP, and 0.01% for cadmium, or qualify for an exemption to these limits as defined in the Annexes of Directive 2011/65/EU (RoHS2). Finished electrical and electronic equipment products will be CE marked as required by Directive 2011/65/EU. Components may not be CE marked. Additionally, the part numbers that TE has identified as EU ELV compliant have a maximum concentration of 0.1% by weight in homogenous materials for lead, hexavalent chromium, and mercury, and 0.01% for cadmium, or qualify for an exemption to these limits as defined in the Annexes of Directive 2000/53/EC (ELV). Regarding the REACH Regulation, the information TE provides on SVHC in articles for this part number is based on the latest European Chemicals Agency (ECHA) 'Guidance on requirements for substances in articles' posted at this URL: <https://echa.europa.eu/guidance-documents/guidance-on-reach>

Compatible Parts



Also in the Series | Heavy Duty Sealed Connector Series



Automotive Connector Caps & Covers (25)



Automotive Housings(207)



Connector Seals & Cavity Plugs(5)



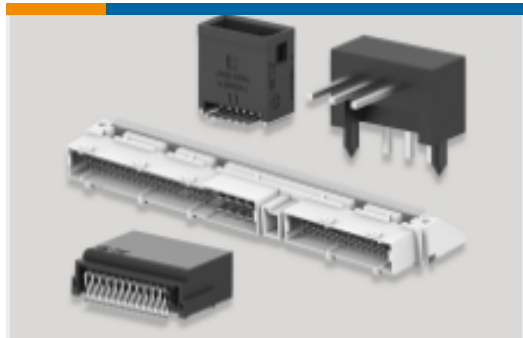
Data Connectivity Headers(2)



Data Connectivity Housings(16)



Other Automotive Connector Accessories(34)

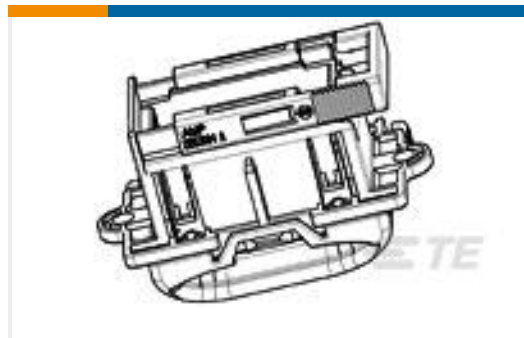


PCB Headers & Receptacles(1)

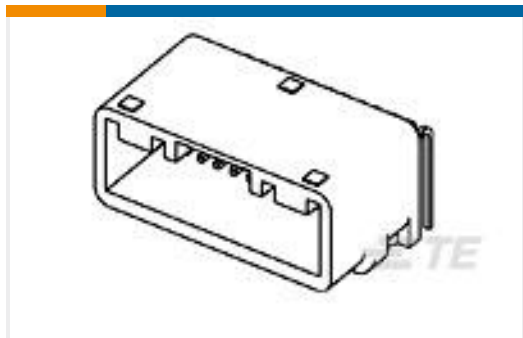
Customers Also Bought



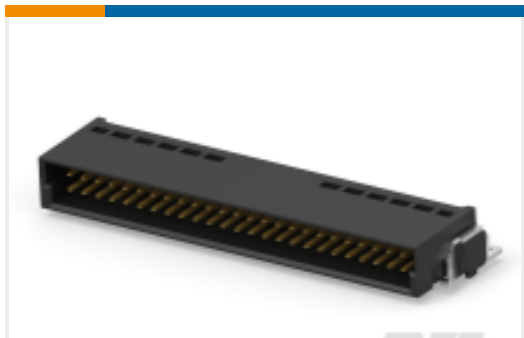
TE Part #1703810-2
SLIDE,TAB HSG GROUP B



TE Part #1418985-2
FRAME FOR MICRO TIMER 3 REC.
HSG. 16 POS



TE Part #1-1318853-7
025 24POS CAP ASSY H SELECTIVE-TIN



TE Part #054596-E
SMCB 50 M AB VV 3-03 CLHD * 0007
137 E00



TE Part #214011-E
SRCA 1,27 2 M 1 SMD 137 E1 094 *
GURT *



TE Part #2307893-3
HORN HARNESS WITH MFL



TE Part #K1157198-4
Toggle Switch 07-2-2-10 939 CV750



TE Part #1746234-1
XENON HEADLAMP HARNESS ASSY



TE Part #1746234-2
XENON HEADLAMP HARNESS ASSY



TE Part #900201-1
250 FASTON HSG. FLAG REC. 1P
WHITE



Documents

Product Drawings

[SLIDE,TAB HSG GROUP C](#)

English

CAD Files

[3D PDF](#)

3D

Customer View Model

[ENG_CVM_CVM_1670720-1_L.2d_dxf.zip](#)

English

Customer View Model

[ENG_CVM_CVM_1670720-1_L.3d_igs.zip](#)

English

Customer View Model

[ENG_CVM_CVM_1670720-1_L.3d_stp.zip](#)

English

By downloading the CAD file I accept and agree to the [Terms and Conditions](#) of use.

Datasheets & Catalog Pages

[HDSCS Catalog](#)

English

[CONNECTOR SELECTOR](#)

English

Product Specifications

[Application Specification](#)

English