

2106135-4 ✓ ACTIVE

SlimSeal | SlimSeal Standard Connectors

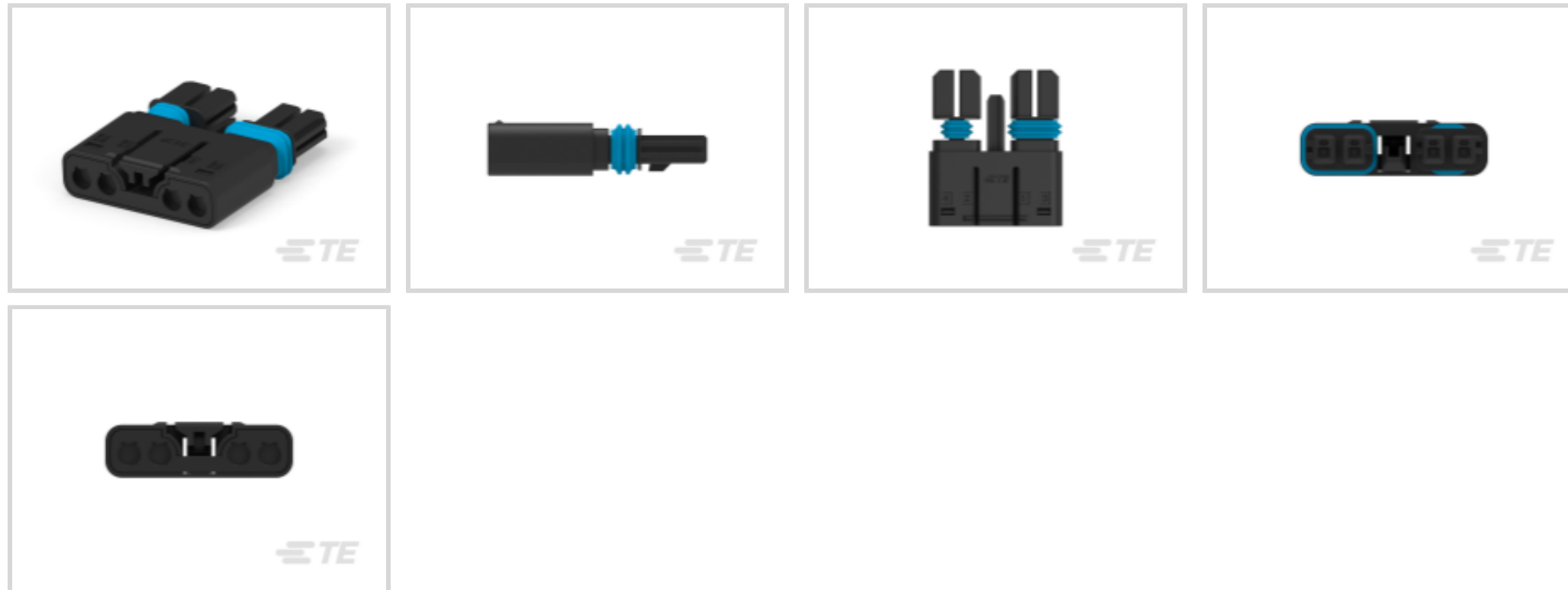
TE Internal #: 2106135-4

Wire-to-Wire, 4 Position, .14 mm [3.5 in] Centerline, Sealable, Wire & Cable, Plug, SlimSeal Standard Connectors, Plug & Socket Lighting Connectors

[View on TE.com >](#)



Connectors > Lighting Connectors > Plug & Socket Lighting Connectors



Connector System: **Wire-to-Wire**

Number of Positions: **4**

Centerline (Pitch): **.14 mm [3.5 in]**

Sealable: **Yes**

Connector & Contact Terminates To: **Wire & Cable**

Features

Product Type Features

Connector System	Wire-to-Wire
Sealable	Yes
Connector & Contact Terminates To	Wire & Cable
Lighting Connector Style	Plug

Configuration Features

Number of Positions	4
---------------------	---

Electrical Characteristics

Operating Voltage	400 VDC
-------------------	---------

Body Features

Primary Product Color	Black
-----------------------	-------

Contact Features

Contact Current Rating (Max)	5 A
------------------------------	-----

Housing Features



Centerline (Pitch)	.14 mm[3.5 in]
--------------------	----------------

Usage Conditions

Operating Temperature Range	-40 – 105 °C[-40 – 221 °F]
-----------------------------	----------------------------

Product Compliance

[For compliance documentation, visit the product page on TE.com>](#)

EU RoHS Directive 2011/65/EU	Compliant
EU ELV Directive 2000/53/EC	Compliant
China RoHS 2 Directive MIIT Order No 32, 2016	No Restricted Materials Above Threshold
EU REACH Regulation (EC) No. 1907/2006	Current ECHA Candidate List: JUNE 2024 (241) Candidate List Declared Against: JUNE 2024 (241) Does not contain REACH SVHC
Halogen Content	Not Low Halogen - contains Br or Cl > 900 ppm.
Solder Process Capability	Not applicable for solder process capability

Product Compliance Disclaimer

This information is provided based on reasonable inquiry of our suppliers and represents our current actual knowledge based on the information they provided. This information is subject to change. The part numbers that TE has identified as EU RoHS compliant have a maximum concentration of 0.1% by weight in homogenous materials for lead, hexavalent chromium, mercury, PBB, PBDE, DBP, BBP, DEHP, DIBP, and 0.01% for cadmium, or qualify for an exemption to these limits as defined in the Annexes of Directive 2011/65/EU (RoHS2). Finished electrical and electronic equipment products will be CE marked as required by Directive 2011/65/EU. Components may not be CE marked. Additionally, the part numbers that TE has identified as EU ELV compliant have a maximum concentration of 0.1% by weight in homogenous materials for lead, hexavalent chromium, and mercury, and 0.01% for cadmium, or qualify for an exemption to these limits as defined in the Annexes of Directive 2000/53/EC (ELV). Regarding the REACH Regulation, the information TE provides on SVHC in articles for this part number is based on the latest European Chemicals Agency (ECHA) 'Guidance on requirements for substances in articles' posted at this URL: <https://echa.europa.eu/guidance-documents/guidance-on-reach>

Compatible Parts



TE Part # 2106111-6
Assembly, Right Angle TH Header, 4-Posit



TE Part # 1-2106123-1
CONTACT,Recept, SLC, Tin Plated, On Stri



TE Part # 2106112-6
Assembly, Vertical TH Header, 4-Position



TE Part # 2106136-4
Assembly, Receptacle, 4-Position




TE Part # 2106053-6
Assembly, Vertical SMT Header, 4-Position



TE Part # 1-2106123-2
CONTACT,Recept, SLC, Tin Plated, Loose P



TE Part # 2106123-2
Contact, Receptacle, Tin Plated, Loose P



TE Part # 2106056-8
Assembly, Right Angle SMT Header, 4-Position



TE Part # 2106123-1
CONTACT,Recept, SLC, Tin Plated, On Stip



TE Part # 2106053-7
Assembly, Vertical SMT Header, 4-Position



TE Part # 2106056-9
Assembly, Right Angle SMT Header, 4-Position

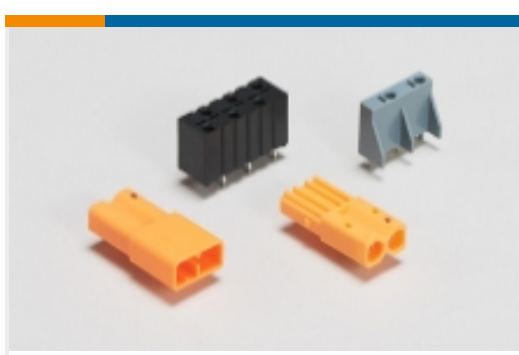


TE Part # 2106111-7
Assembly, Right Angle TH Header, 4-Position




TE Part # 2106112-7
Assembly, Vertical TH Header, 4-Position

Also in the Series | SlimSeal Standard Connectors



Ballast Connectors(4)



Plug & Socket Lighting Connectors(25)

Customers Also Bought



TE Part #1-2834074-3
3P PLUG, MINIATURE WATERPROOF CONN,WHITE



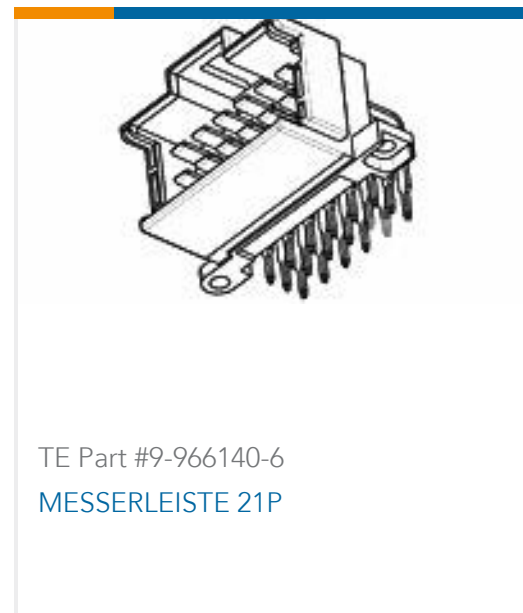
TE Part #1622872-1
CRG0603 1% 1K5



TE Part #1-2106123-1
CONTACT,Recept, SLC, Tin Plated, On Stri



TE Part #3-1625892-6
3W SM M/OX 5% 27R



Documents

Product Drawings

[Assembly, Free Hanging Plug, SLC, 4 pos](#)

English

CAD Files

Customer View Model

[ENG_CVM_CVM_2106135-4_B1.3d_igs.zip](#)

English

Customer View Model

[ENG_CVM_CVM_2106135-4_B1.3d_stp.zip](#)

English

Customer View Model

[ENG_CVM_CVM_2106135-4_B1.2d_dxf.zip](#)

English

[3D PDF](#)

3D

By downloading the CAD file I accept and agree to the [Terms and Conditions](#) of use.

Datasheets & Catalog Pages

[SLIMSEAL_SSL_CONNECOTS](#)

English

Product Specifications

[Application Specification](#)

English

Agency Approvals

[UL Report](#)

English