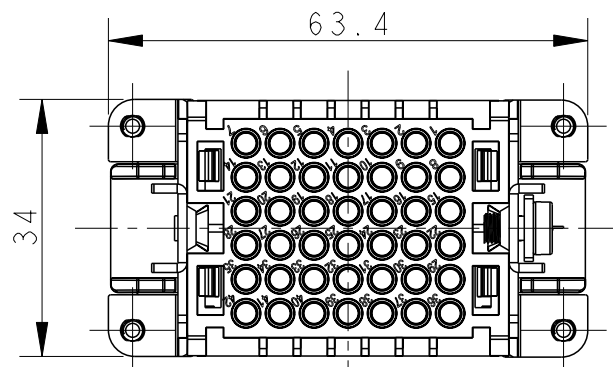
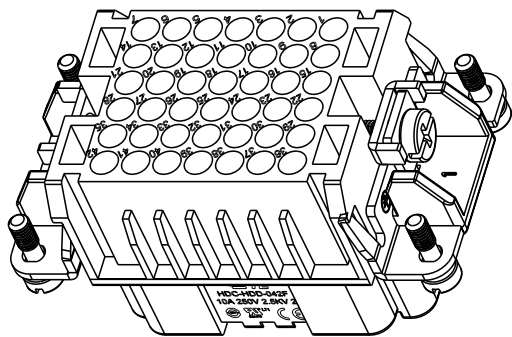


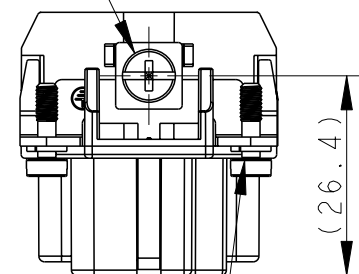
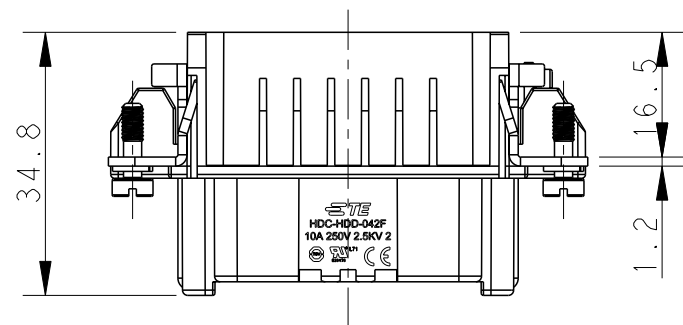
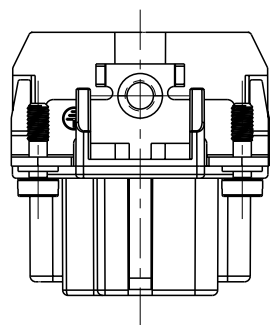
REVISIONS

P	LTR	DESCRIPTION	DATE	DWN	APVD
	B	ECR-15-013292	19MAR2015	DL	CW
	B1	ECR-16-018198	12FEB2017	QY	CW
	B2	ECR-19-012652	21SEP2019	BS	CW
	C	ECR-21-105887	26JUL2021	BS	CW

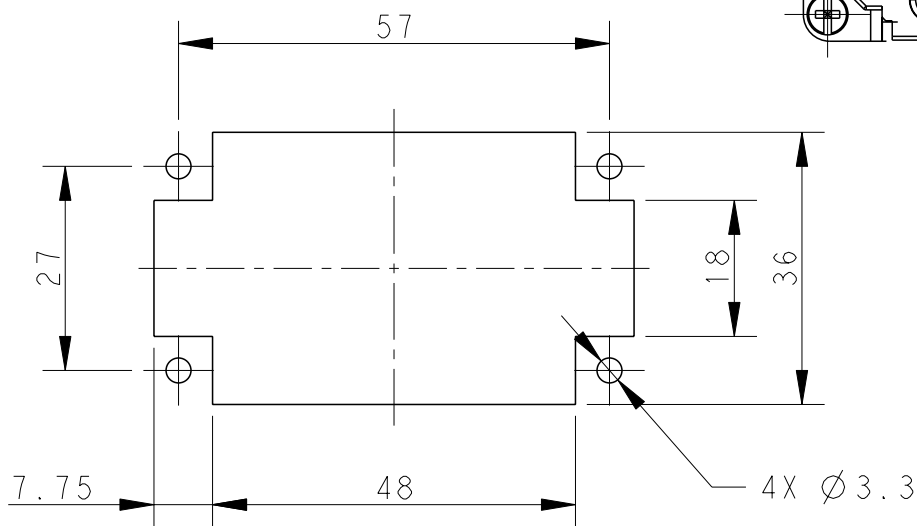
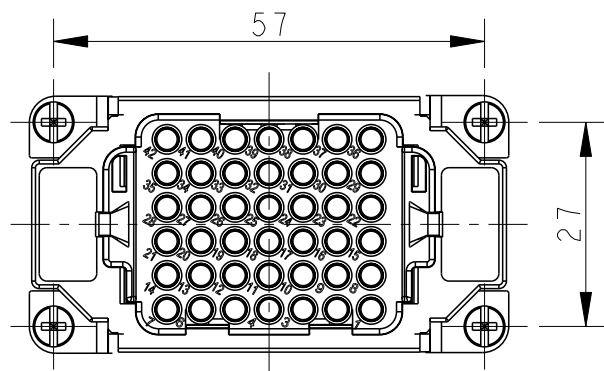


TYPE-1: T2030422201-000 TE LOGO
 类型-1: T2030422201-000 TE LOGO

M4 SCREW RECOMMENDED
 TIGHTENING TORQUE 1.2Nm
 M4螺丝, 推荐锁紧力矩1.2Nm



4 X M3 SCREW RECOMMENDED
 TIGHTENING TORQUE 0.5Nm
 4X M3螺丝, 推荐锁紧力矩0.5Nm



PANEL CUT OUT FOR INSERTS FOR USING
 WITHOUT HOODS/HOUSINGS
 不使用防护外壳时芯件的安装开孔图

NOTES:

- TECHNICAL CHARACTERISTICS:
 INSULATION MATERIAL: PC
 RATED VOLTAGE: 250 V
 RATED CURRENT: 10 A
 INSULATION RESISTANCE: >=400MΩ
 RATED IMPULSE VOLTAGE: 2.5 KV
 POLLUTION DEGREE: 2
 FLAMMABILITY: UL94V-0
 MATING CYCLES: 500 CYCLES
 WIRE RANGE: 0.14-2.5 mm² (26-14 AWG)
 CONTACT TYPE: CRIMP CONTACT
- CONTACT NEED TO BE ORDERED SEPARATELY.
 (ORDER No. REFER TO DRAWING: T20200X20XX000)

注释:

- 技术参数:
 绝缘材料: PC
 额定电压: 250V
 额定电流: 10A
 绝缘电阻: >=400MΩ
 额定脉冲电压: 2.5 KV
 污染等级: 2
 阻燃等级: UL94V-0
 插拔次数: 500次
 接线范围: 0.14-2.5 mm² (26-14 AWG)
 接线类型: 冷压接
- 端子需要单独订购。
 (订货号参考图面: T20200X20XX000)

THIS DRAWING IS A CONTROLLED DOCUMENT.

DIMENSIONS:	TOLERANCES UNLESS OTHERWISE SPECIFIED:
mm	
	0 PLC ±-
	1 PLC ±-
	2 PLC ±-
	3 PLC ±-
	4 PLC ±-
	ANGLES ±-
MATERIAL	FINISH
-	-
-	-

DWN	DAVID LI	18MAR2015
CHK	CHRIS WANG	18MAR2015
APVD	XU XIANG	18MAR2015
PRODUCT SPEC	108-137043	
APPLICATION SPEC	114-137043	
WEIGHT	-	
CUSTOMER DRAWING		

		TE Connectivity	
		NAME: HDD-042-F	
SIZE	CAGE CODE	DRAWING NO	RESTRICTED TO
A3	-	©T2030422201000	
SCALE		SHEET	REV
1:1		1 OF 2	C

printed on 27 Jul 2021 16:18 (China Standard Time) from TE236667

THIS DRAWING IS UNPUBLISHED.

RELEASED FOR PUBLICATION

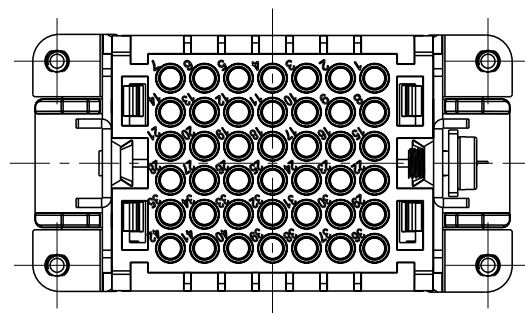
20

© COPYRIGHT 20 BY -

ALL RIGHTS RESERVED.

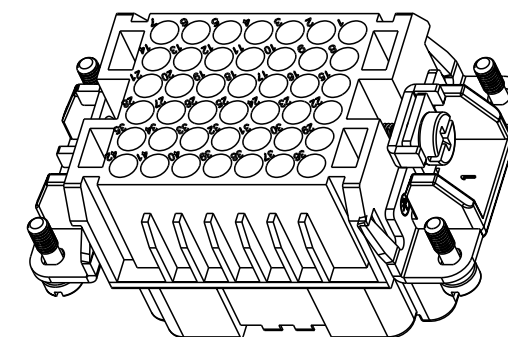
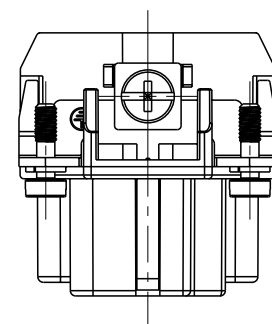
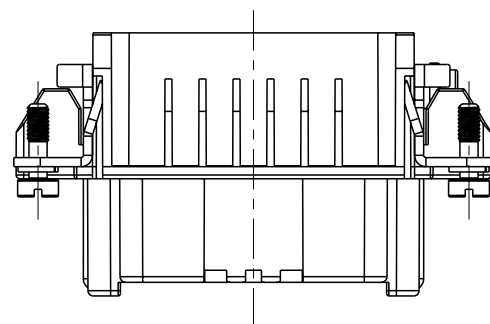
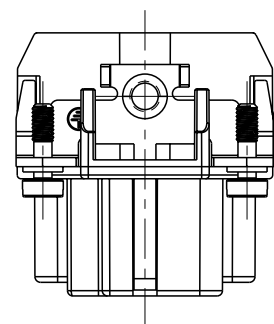
REVISIONS

P	LTR	DESCRIPTION	DATE	DWN	APVD
-		SEE SHEET 1	-	-	-



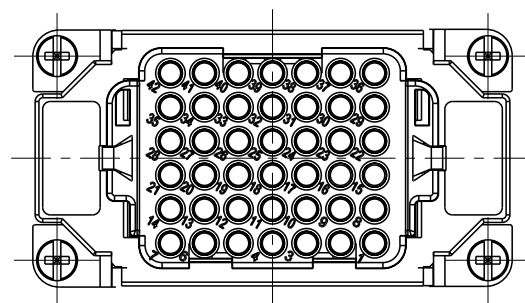
NOTES:
SEE SHEET 1

注释:
见页 1



ALL DIMENSIONS ARE SAME AS TYPE 1,
EXCEPT THOSE DEFINED IN THIS TYPE.
除了在本类型中定义的尺寸外,其它尺寸同类型 |

TYPE-2: T2030422201-001 STAINLESS STEEL SCREW, NO LOGO
类型-2: T2030422201-001 不锈钢螺丝, 无LOGO



T2030422201-001	HDD-042-F	HDD-042 FEMALE INSERT, CRIMPING SPLIT TYPE, STAINLESS STEEL SCREW, NO LOGO HDD-042冷压针分体式母插, 不锈钢螺丝, 无LOGO	TYPE-2 类型-2
T2030422201-000	HDD-042-F	HDD-042 FEMALE INSERT, CRIMPING SPLIT TYPE HDD-042冷压针分体式母插	TYPE-1 类型-1
PART NUMBER 料号	PART DESCRIPTION 描述		TYPE 类型

THIS DRAWING IS A CONTROLLED DOCUMENT.		DWN DAVID LI 18MAR2015		
DIMENSIONS: mm		CHK CHRIS WANG 18MAR2015		
		APVD XU XIANG 18MAR2015		
TOLERANCES UNLESS OTHERWISE SPECIFIED:		PRODUCT SPEC 108-137043	NAME HDD-042-F	
0 PLC ±-		APPLICATION SPEC 114-137043	SIZE A3	CAGE CODE -
1 PLC ±-		WEIGHT -	DRAWING NO T2030422201000	RESTRICTED TO
2 PLC ±-		CUSTOMER DRAWING	SCALE 1:1	SHEET 2 OF 2
3 PLC ±-			REV C	
4 PLC ±-				
ANGLES ±-				
FINISH				
-				
-				

printed on 27 Jul 2021 16:18 (China Standard Time) from TE236667

A

A

D

D

C

B