

2-603227-0 ✓ ACTIVE

AMP-TY

TE Internal #: 2-603227-0

Standard, Bag, 30 lbf Tensile Strength, 133.5 Newton Tensile Strength, Product Length 148 mm [5.82 in], Product Width 3.56 mm [.14 in], Cable Ties

[View on TE.com >](#)



Wire & Cable > Wire & Cable Accessories > Cable Ties



Cable Tie Style: **Standard**

Packaging Method: **Bag**

Tensile Strength: **133.5 Newton**

Product Length: **148 mm [5.82 in]**

Features

Product Type Features

Cable Tie Style	Standard
Tensile Strength	133.5 Newton

Body Features

Primary Product Color	Black
Primary Product Material	Nylon

Dimensions

Compatible Cable Bundle Diameter Range	31.75 mm[1.25 in]
Product Length	148 mm[5.82 in]
Product Width	3.56 mm[.14 in]
Product Thickness	1.1 mm[.043 in]

Packaging Features

Packaging Method	Bag
Packaging Quantity	1000

Product Compliance

[For compliance documentation, visit the product page on TE.com>](#)

EU RoHS Directive 2011/65/EU	Compliant
EU ELV Directive 2000/53/EC	Compliant
China RoHS 2 Directive MIIT Order No 32, 2016	No Restricted Materials Above Threshold



EU REACH Regulation (EC) No. 1907/2006

Current ECHA Candidate List: JUNE 2024 (241)

Candidate List Declared Against: JUNE 2024 (241)

Does not contain REACH SVHC

Halogen Content

Low Halogen - Br, Cl, F, I < 900 ppm per homogenous material. Also BFR/CFR/PVC Free

Solder Process Capability

Not applicable for solder process capability

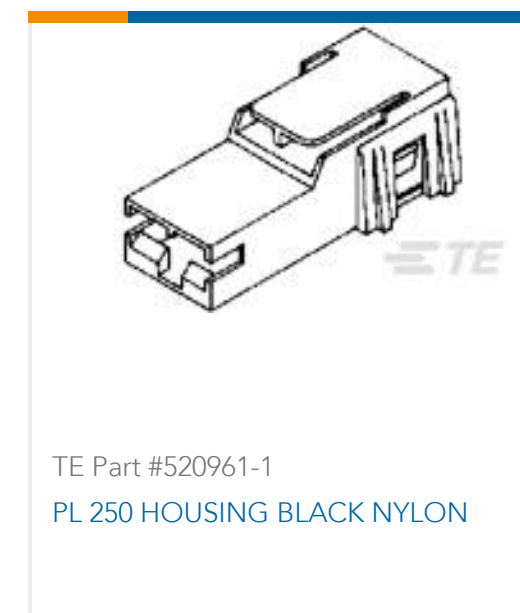
Product Compliance Disclaimer

This information is provided based on reasonable inquiry of our suppliers and represents our current actual knowledge based on the information they provided. This information is subject to change. The part numbers that TE has identified as EU RoHS compliant have a maximum concentration of 0.1% by weight in homogenous materials for lead, hexavalent chromium, mercury, PBB, PBDE, DBP, BBP, DEHP, DIBP, and 0.01% for cadmium, or qualify for an exemption to these limits as defined in the Annexes of Directive 2011/65/EU (RoHS2). Finished electrical and electronic equipment products will be CE marked as required by Directive 2011/65/EU. Components may not be CE marked. Additionally, the part numbers that TE has identified as EU ELV compliant have a maximum concentration of 0.1% by weight in homogenous materials for lead, hexavalent chromium, and mercury, and 0.01% for cadmium, or qualify for an exemption to these limits as defined in the Annexes of Directive 2000/53/EC (ELV). Regarding the REACH Regulation, the information TE provides on SVHC in articles for this part number is based on the latest European Chemicals Agency (ECHA) 'Guidance on requirements for substances in articles' posted at this URL: <https://echa.europa.eu/guidance-documents/guidance-on-reach>

Compatible Parts



Customers Also Bought





Documents

Product Drawings

CABLE TIE, BLACK, 6" L, 1000/PACK

English

Datasheets & Catalog Pages

CABLE TIES

English