



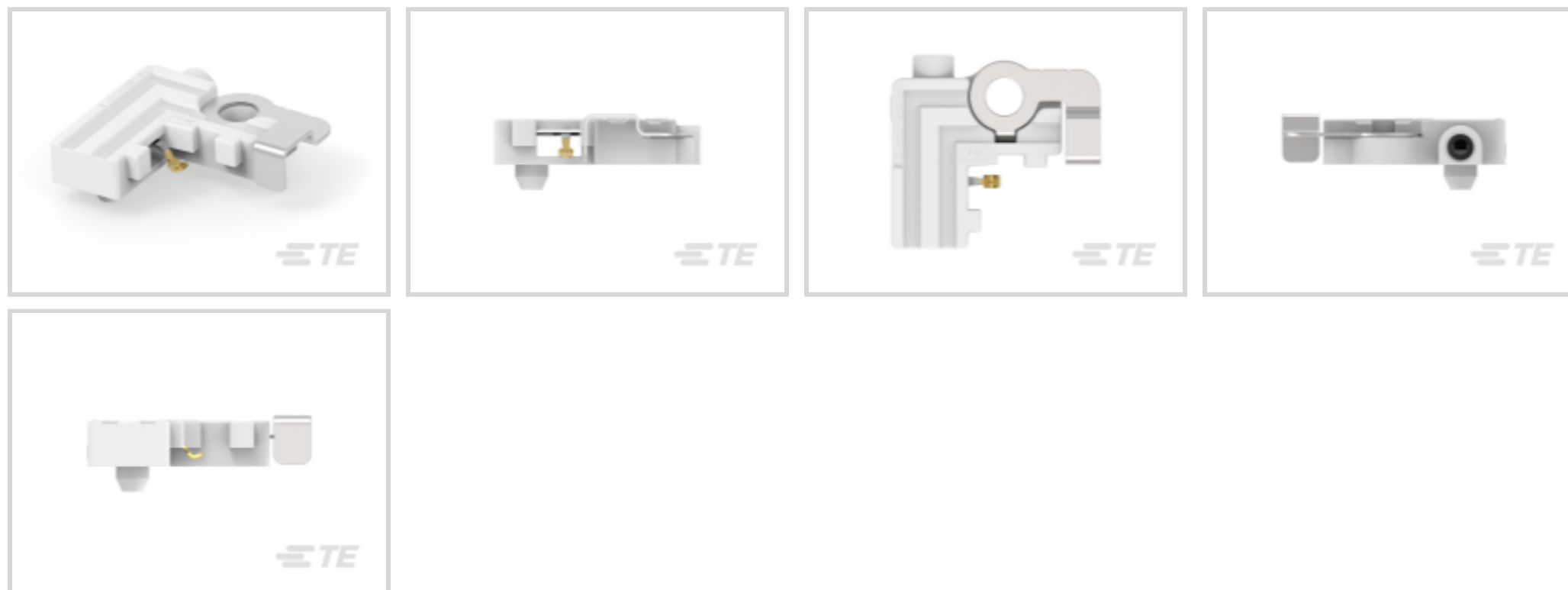
LUMAWISE | LUMAWISE LED Holders

TE Internal #: 2-2154857-2

Cree CXB 2530 / Samsung LC060D / Samsung LC080D, Does Not Enable Zhaga Compatibility / Not Optic Compatible, LUMAWISE LED Holders, LED Holders

[View on TE.com >](#)

Connectors > Lighting Connectors > LED Holders



Compatible LED: Citizen CLL040, Citizen CLL042, Citizen CLL050, Citizen CLL052, Cree CXA 13xx, Cree CXA 15xx, Cree CXA 18xx, Cree CXA 25xx, Cree CXA 3050, Cree CXB 1310, Cree CXB 1507, Cree CXB 1512, Cree CXB 1520, Cree CXB 1816, Cree CXB 1820, Cree CXB 1830, Cree CXB 2530, Cree CXB 2540, Cree CXB 3050, Cree CXA 30XX, Samsung LC040D, Samsung LC060D, Samsung LC080D, Seoul SBWW1F1A

Lighting Connector Features Included: **Does Not Enable Zhaga Compatibility, Not Optic Compatible**

Operating Voltage: **250 VDC**

Termination Method to Wire & Cable: **Poke-In**

Connector System: **Wire-to-Board**

Features

Product Type Features

LED Holders Product Type	LED Holder
Connector System	Wire-to-Board
Connector & Contact Terminates To	Wire & Cable

Configuration Features

Lighting Connector Features Included	Does Not Enable Zhaga Compatibility, Not Optic Compatible
Number of Positions	1

Electrical Characteristics

Current Rating (Max)	3 A
Operating Voltage	250 VDC

Body Features

Compatible LED	Citizen CLL040, Citizen CLL042, Citizen
----------------	---



CLL050, Citizen CLL052, Cree CXA 13xx, Cree CXA 15xx, Cree CXA 18xx, Cree CXA 25xx, Cree CXA 3050, Cree CXB 1310, Cree CXB 1507, Cree CXB 1512, Cree CXB 1520, Cree CXB 1816, Cree CXB 1820, Cree CXB 1830, Cree CXB 2530, Cree CXB 2540, Cree CXB 3050, Cree CXA 30XX, Samsung LC040D, Samsung LC060D, Samsung LC080D, Seoul SBWW1F1A

Contact Features

Contact Mating Area Plating Material	Gold
Contact Base Material	Copper Alloy
Contact Current Rating (Max)	4 A

Termination Features

Termination Method to Wire & Cable	Poke-In
------------------------------------	---------

Housing Features

Housing Material	PBT GF
------------------	--------

Usage Conditions

Operating Temperature Range	-40 – 105 °C
-----------------------------	--------------

Operation/Application

Circuit Application	Power
---------------------	-------

Product Compliance

[For compliance documentation, visit the product page on TE.com>](#)

EU RoHS Directive 2011/65/EU	Compliant
EU ELV Directive 2000/53/EC	Compliant
China RoHS 2 Directive MIIT Order No 32, 2016	No Restricted Materials Above Threshold
EU REACH Regulation (EC) No. 1907/2006	Current ECHA Candidate List: JUNE 2024 (241) Candidate List Declared Against: JUNE 2024 (241) Does not contain REACH SVHC
Halogen Content	Not Low Halogen - contains Br or Cl > 900 ppm.
Solder Process Capability	Not applicable for solder process capability

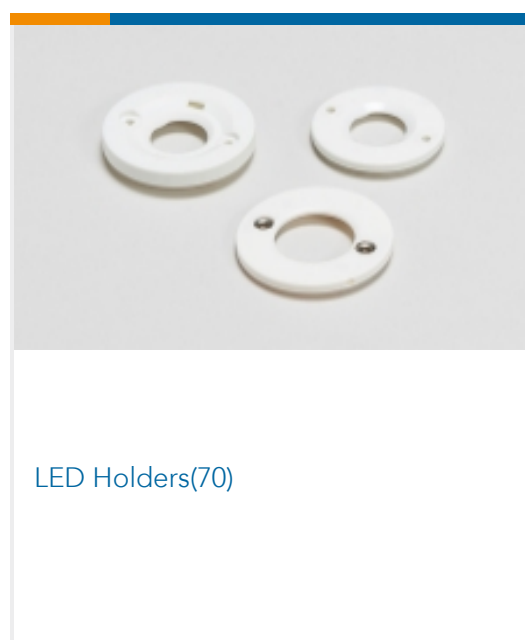
Product Compliance Disclaimer

This information is provided based on reasonable inquiry of our suppliers and represents our current actual knowledge based on the information they provided. This information is subject to change. The part numbers that TE has identified as EU RoHS compliant have a maximum concentration of 0.1% by weight in homogenous materials for lead, hexavalent chromium, mercury, PBB, PBDE, DBP, BBP, DEHP, DIBP, and 0.01% for cadmium, or qualify for an exemption to these limits as defined in the Annexes of Directive 2011/65/EU (RoHS2). Finished electrical and electronic equipment products will be CE marked as required by Directive 2011/65/EU. Components may not be CE marked. Additionally, the part numbers that TE has identified as EU ELV compliant have a maximum concentration of 0.1% by weight in homogenous materials for lead, hexavalent chromium, and mercury, and 0.01% for cadmium, or qualify for an exemption to these limits as defined in the Annexes of Directive 2000/53/EC (ELV). Regarding the REACH Regulation, the information TE provides on SVHC in articles for this part number is based on the latest European Chemicals Agency (ECHA) 'Guidance on requirements for substances in articles' posted at this URL: <https://echa.europa.eu/guidance-documents/guidance-on-reach>

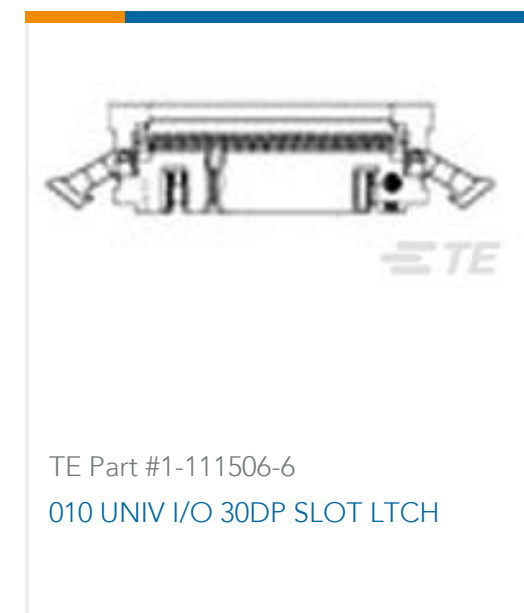
Compatible Parts

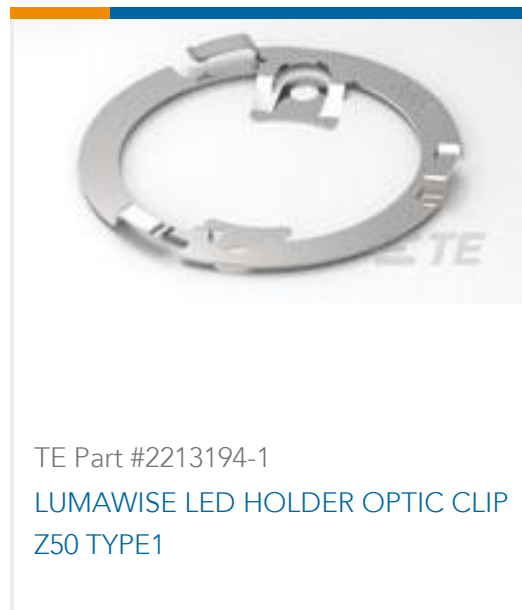


Also in the Series | LUMAWISE LED Holders



Customers Also Bought





TE Part #2213194-1
LUMAWISE LED HOLDER OPTIC CLIP
Z50 TYPE1



TE Part #2213401-1
LUMAWISE LED HOLDER Z50 LOW
PROFILE 1818



TE Part #6339160-1
MJ, RJ45, SMT, SHLD, PANEL GRD



TE Part #66602-6
III+ PIN, 18-14, TIN-LEAD, SMPACK



TE Part #206153-1
11-4 F.H. RECEPT. STD. SEX



TE Part #1-66103-9
III+ PIN, 24-20, TIN, SMPACK

Documents

Product Drawings

[Socket, SCALABLE LED, 2PC, Gold, w/TS](#)

English

CAD Files

[3D PDF](#)

3D

Customer View Model

[ENG_CVM_CVM_2-2154857-2_A_c-2-2154857-2-a.2d_dxf.zip](#)

English

Customer View Model

[ENG_CVM_CVM_2-2154857-2_A_c-2-2154857-2-a.3d_igs.zip](#)

English

Customer View Model

[ENG_CVM_CVM_2-2154857-2_A_c-2-2154857-2-a.3d_stp.zip](#)

English

By downloading the CAD file I accept and agree to the [Terms and Conditions](#) of use.

Datasheets & Catalog Pages

[1-1773700-3_LED HOLDER_TYPE_CITIZEN](#)

English

[1-1773700-4_LED HOLDER_TYPE_CREE](#)

English

[1-1773706-3_SCALABLEOVERVIEW_BROCHURE](#)

English

[8-1773700-8_SCALABLELEDHOLDER_APPNOTE](#)

English



[8-1773700-9_LEDBROCHURE](#)

English

[8-1773700-9_LEDBROCHURE](#)

Japanese

Product Specifications

[Application Specification](#)

English

[Application Specification](#)

English

Agency Approvals

[UL Report](#)

English