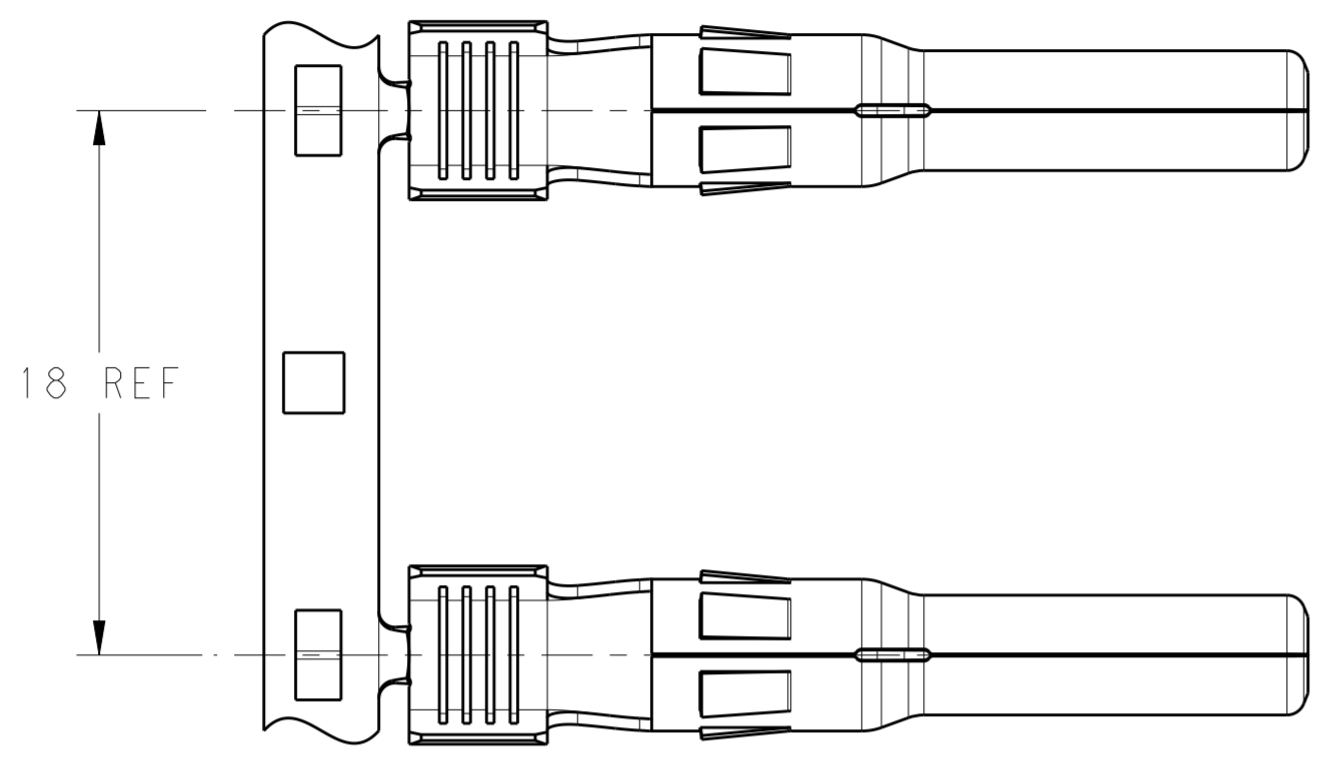
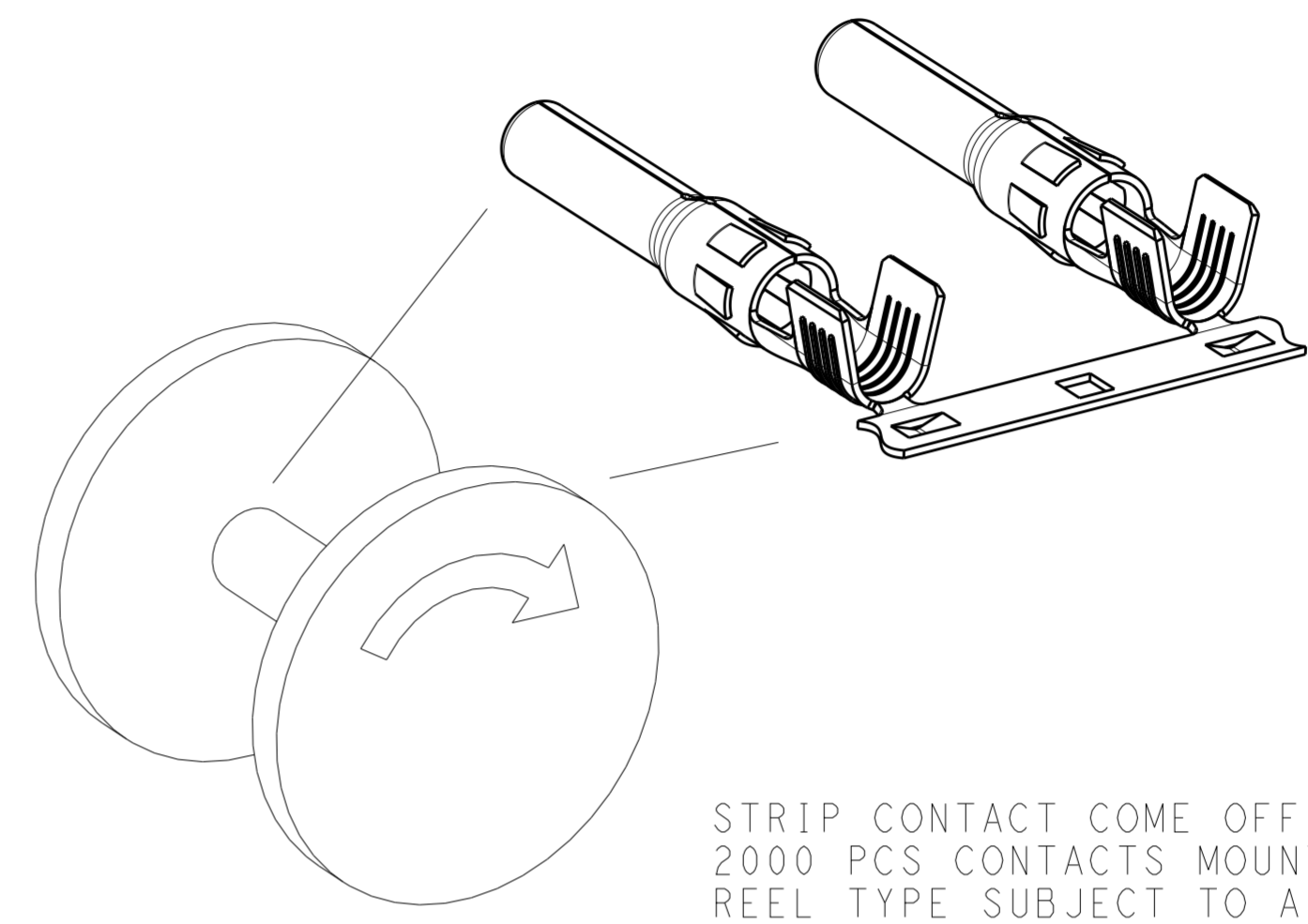


THIS DRAWING IS UNPUBLISHED. RELEASED FOR PUBLICATION 20
 © COPYRIGHT 20 TE CONNECTIVITY ALL RIGHTS RESERVED.

LOC	DIST	REVISIONS			
P	LTR	DESCRIPTION	DATE	DWN	APVD
-	-	A	RELEASED	10SEP2012	CW PY
		A1	ECR-12-016601	18OCT2012	CW PY

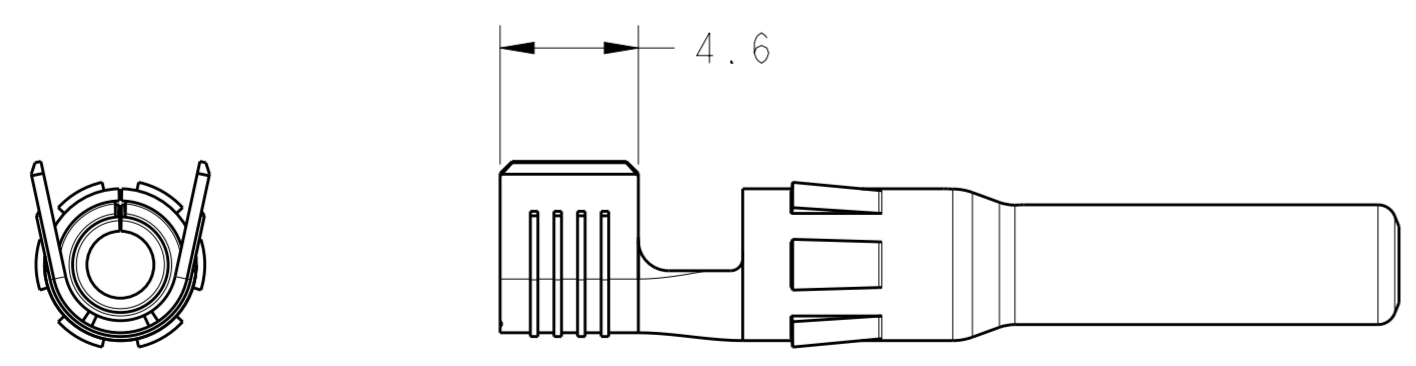
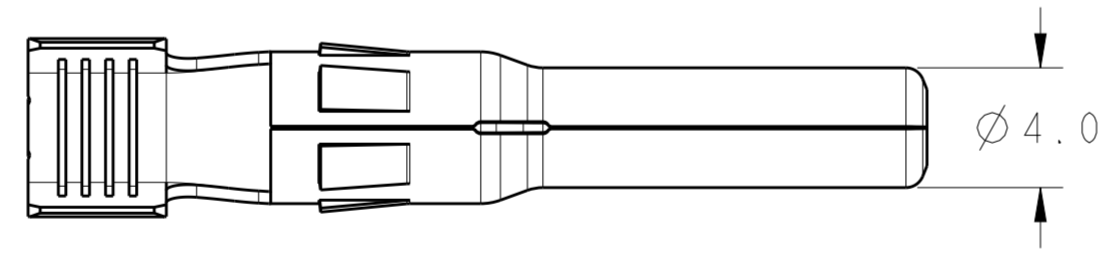


STRIP
-2 AS SHOWN



STRIP CONTACT COME OFF TO ASSEMBLY
 2000 PCS CONTACTS MOUNTED REEL
 REEL TYPE SUBJECT TO ALTERNATION

- 1. MATERIAL: COPPER ALLOY, TIN PLATED
- 2. USED FOR SOLAR CABLE: 4mm²/12AWG, 6mm²/10AWG



LOOSE PIECE
-3 AS SHOWN

LOOSE PIECE	1971857-4	100
LOOSE PIECE	1971857-3	1000
STRIP	1971857-2	2000
CONTACT TYPE	PART NUMBER	PACKING UNIT
	FOR ORDER	

THIS DRAWING IS A CONTROLLED DOCUMENT.		DWN CHRIS WANG 09AUG2012	TE Connectivity	
DIMENSIONS: mm		CHK TANDY TANG 09AUG2012		
TOLERANCES UNLESS OTHERWISE SPECIFIED:		APVD PETER YIN 09AUG2012	NAME PIN CONTACT SOLARLOK PV4 CONNECTOR	
0 PLC ±0.5 1 PLC ±0.3 2 PLC ± 3 PLC ± 4 PLC ± ANGLES ± FINISH		PRODUCT SPEC 108-106078	RESTRICTED TO	
MATERIAL COPPER ALLOY		APPLICATION SPEC 114-106078	SIZE A2	CAGE CODE 00779
TIN		WEIGHT -	DRAWING NO C-1971857	SCALE 4:1
CUSTOMER DRAWING		SHEET 1 OF 1		REV A1