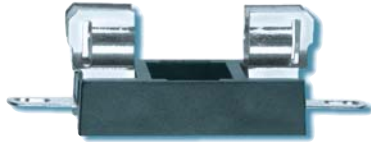
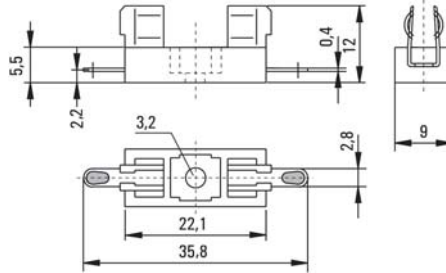


# MINIATURE FUSEHOLDERS

## Holder / No. 647



## Cable Type, 5x20mm Fuses lead free



## Specifications

### Packaging

Bulk (1000 pcs.)

### Mounting

Ø3mm screw hole

### Terminals

Solderable or 2.8mm quick connect - fits 0.5mm tabs

### Materials

Holder: Black Thermoplastic, UL94 V-0  
Polyamide PA 6.6

Metal Parts: Copper alloy,  
solderable, tinned

### Electrical Data (23°C)

Rated Voltage: 250V

Max. current/power: 6.3A/2.5W

6.3A/1.6W (with No. 640)

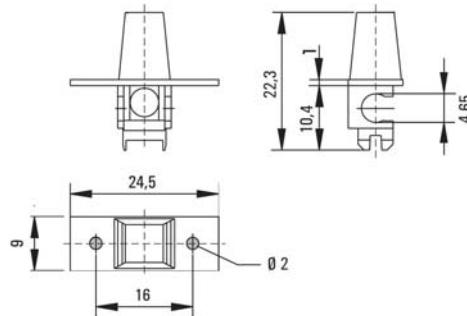
### Minimum Cross Section

Conducting path - 2.5mm<sup>2</sup>

### Unit Weight

1.7g

## Adapter / No. 640



### Mounting

Hand adapter can be optionally used with  
Holder No. 646 and 647

### Materials

Adapter: Polyester PBT,  
UL94 V-0

### Unit Weight

1.0g

### Packaging

Bulk (5000 pcs.)

## Colours

|                |     |
|----------------|-----|
| Adapter black  | 100 |
| Adapter brown  | 140 |
| Adapter white  | 150 |
| Adapter yellow | 160 |
| Adapter green  | 170 |
| Adapter blue   | 190 |

Contact WICKMANN for an auto-insertable fuse, holder and adapter assembly.

Contact WICKMANN for an auto-insertable fuse, holder and adapter assembly.

### Order Information

| Qty. | Order Number | Series |      | Colour |
|------|--------------|--------|------|--------|
|      |              | 647    | 0000 |        |

### Specifications are subject to change without notice

Note: 1.00 means the number one with two decimal places. 1,000 means the number one thousand.