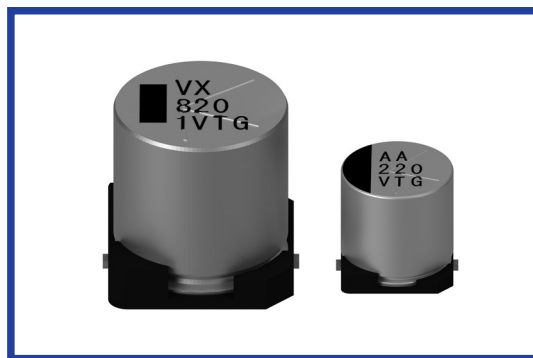


TGV 系列
SERIES

UPGRADE

125°C 3000~5000小时、低ESR品
Load Life : 125°C 3000~5000 hours Low ESR

- 耐久性试验后ESR规格设定品。(φ8·φ10)
ESR standard after endurance test. (φ8·φ10)
- 可对应AEC-Q200。
AEC-Q200.



◆规格表 / SPECIFICATIONS

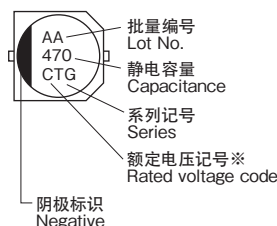
项目 Items	特性 Characteristics																								
工作温度范围 Category Temperature Range	-40~+125°C																								
额定电压范围 Rated Voltage Range	16~50Vdc																								
静电容量允许差 Capacitance Tolerance	±20% (20°C, 120Hz)																								
漏电流 Leakage Current (MAX)	小于I=0.01CV和3μA中的较大值 (施加额定电压2分钟后) I=0.01CV or 3μA whichever is greater. (After 2 minutes application of rated voltage) I=漏电流(μA) Leakage Current C=静电容量(μF) Capacitance V=额定电压(Vdc) Rated Voltage																								
损失角正切值(tan δ) Dissipation Factor (MAX)	<table border="1"> <tr> <td>额定电压(Vdc) Rated Voltage</td> <td>16</td> <td>25</td> <td>35</td> <td>50</td> <td>(20°C, 120Hz)</td> </tr> <tr> <td>φ8~φ10</td> <td>0.23</td> <td>0.18</td> <td>0.16</td> <td>0.14</td> <td></td> </tr> <tr> <td>φ12.5~φ18</td> <td>0.18</td> <td>0.16</td> <td>0.14</td> <td>0.12</td> <td></td> </tr> </table> <p>对于额定静电容量超过1000μF的产品, 其静电容量每增加1000μF, 则损失角正切值在上表值的基础上加上0.02。 When rated capacitance is over 1000μF, tan δ shall be added 0.02 to the listed value with increase of every 1000 μF.</p>	额定电压(Vdc) Rated Voltage	16	25	35	50	(20°C, 120Hz)	φ8~φ10	0.23	0.18	0.16	0.14		φ12.5~φ18	0.18	0.16	0.14	0.12							
额定电压(Vdc) Rated Voltage	16	25	35	50	(20°C, 120Hz)																				
φ8~φ10	0.23	0.18	0.16	0.14																					
φ12.5~φ18	0.18	0.16	0.14	0.12																					
耐久性 Endurance	<p>在125°C中施加额定电压右表时间后, 满足以下各项。 After applying rated voltage for specified time at 125°C, the capacitors shall meet the following requirements.</p> <table border="1"> <tr> <td>静电容量变化率 Capacitance Change</td> <td>初期值的±30%以内 Within ±30% of the initial value.</td> <td>铝壳尺寸 Case Size</td> <td>时间(hrs) Life Time</td> </tr> <tr> <td>损失角正切值 Dissipation Factor</td> <td>规格值的300%以下 Not more than 300% of the specified value.</td> <td>φD ≤ 10</td> <td>3000</td> </tr> <tr> <td>漏电流 Leakage Current</td> <td>规格值以下 Not more than the specified value.</td> <td>φD ≥ 12.5</td> <td>5000</td> </tr> </table> <p>耐久性试验后 (125°C 额定电压叠加2000小时后) ESR ESR standard after endurance test (125°C, 2000 hrs with rated voltage applied)</p> <table border="1"> <tr> <td></td> <td colspan="2">16~35Vdc</td> </tr> <tr> <td></td> <td>8×10.5</td> <td>10×10.5</td> </tr> <tr> <td>20°C</td> <td>0.6</td> <td>0.4</td> </tr> <tr> <td>-40°C</td> <td>4.5</td> <td>3.5</td> </tr> </table> <p>(Ω/100kHz)</p>	静电容量变化率 Capacitance Change	初期值的±30%以内 Within ±30% of the initial value.	铝壳尺寸 Case Size	时间(hrs) Life Time	损失角正切值 Dissipation Factor	规格值的300%以下 Not more than 300% of the specified value.	φD ≤ 10	3000	漏电流 Leakage Current	规格值以下 Not more than the specified value.	φD ≥ 12.5	5000		16~35Vdc			8×10.5	10×10.5	20°C	0.6	0.4	-40°C	4.5	3.5
静电容量变化率 Capacitance Change	初期值的±30%以内 Within ±30% of the initial value.	铝壳尺寸 Case Size	时间(hrs) Life Time																						
损失角正切值 Dissipation Factor	规格值的300%以下 Not more than 300% of the specified value.	φD ≤ 10	3000																						
漏电流 Leakage Current	规格值以下 Not more than the specified value.	φD ≥ 12.5	5000																						
	16~35Vdc																								
	8×10.5	10×10.5																							
20°C	0.6	0.4																							
-40°C	4.5	3.5																							
低温特性 Low Temperature Stability (阻抗比) Impedance Ratio (MAX)	<table border="1"> <tr> <td>额定电压(Vdc) Rated Voltage</td> <td>16</td> <td>25</td> <td>35</td> <td>50</td> <td>(120Hz)</td> </tr> <tr> <td>Z(-40°C)/Z(20°C)</td> <td>3</td> <td>3</td> <td>3</td> <td>3</td> <td></td> </tr> </table>	额定电压(Vdc) Rated Voltage	16	25	35	50	(120Hz)	Z(-40°C)/Z(20°C)	3	3	3	3													
额定电压(Vdc) Rated Voltage	16	25	35	50	(120Hz)																				
Z(-40°C)/Z(20°C)	3	3	3	3																					

◆纹波电流修正系数 / MULTIPLIER FOR RIPPLE CURRENT

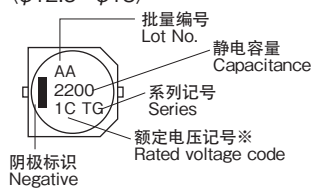
频率(Hz) Frequency	120	1k	10k	100k ≤
33μF	0.45	0.75	0.90	1.00
47~100μF	0.50	0.80	0.95	1.00
220~3300μF	0.60	0.85	0.95	1.00

◆标识 / MARKING

(φ8, φ10)



(φ12.5~φ18)



※电压记号 Voltage code

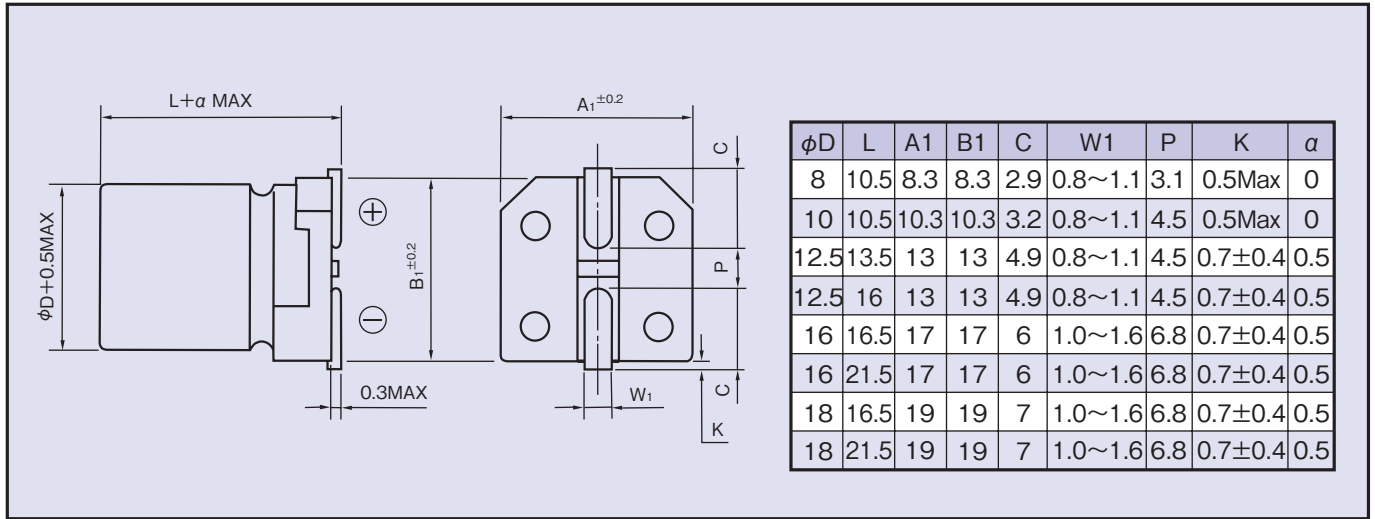
额定电压(Vdc) Rated voltage	16	25	35	50
φD ≤ 10	C	E	V	H
φD ≥ 12.5	1C	1E	1V	1H

◆产品型号体系 / PART NUMBER

□□□ TGV □□□□□ M □□□ DXL
 额定电压 Rated Voltage 系列名称 Series 静电容量 Capacitance 静电容量允许差 Capacitance Tolerance 副记号 Option 铝壳尺寸 Case Size

◆尺寸图 / DIMENSIONS

(mm)



◆标准品一览表 / STANDARD SIZE Size φD×L(mm), Rated Ripple Current (mA r.m.s./125°C, 100kHz), ESR (Ω MAX/100kHz)

Vdc	Cap (μF)	Size (φD×L)	Ripple	ESR	
				20°C	-40°C
16	100	8×10.5	350	0.150	3.0
	220	8×10.5	350	0.150	3.0
	330	10×10.5	550	0.120	2.0
	470	10×10.5	550	0.120	2.0
	820	12.5×13.5	850	0.092	1.1
	1000	12.5×16	1000	0.074	0.9
	1500	16×16.5	1200	0.066	0.7
	1800	18×16.5	1300	0.064	0.6
	2200	16×21.5	1650	0.041	0.4
	3300	18×21.5	1800	0.039	0.3
25	100	8×10.5	350	0.150	3.0
	220	8×10.5	350	0.150	3.0
		10×10.5	550	0.120	2.0
	330	10×10.5	550	0.120	2.0
	680	12.5×13.5	850	0.092	1.1
	820	12.5×16	1000	0.074	0.9
	1200	16×16.5	1200	0.066	0.7
	1500	18×16.5	1300	0.064	0.6
	2200	16×21.5	1650	0.041	0.4
	2700	18×21.5	1800	0.039	0.3
35	47	8×10.5	350	0.150	3.0
	100	8×10.5	350	0.150	3.0
		10×10.5	550	0.120	2.0
	220	10×10.5	550	0.120	2.0
	470	12.5×13.5	850	0.092	1.1
	560	12.5×16	1000	0.074	0.9
	820	16×16.5	1200	0.066	0.7
	1000	18×16.5	1300	0.064	0.6
	1500	16×21.5	1650	0.041	0.4
	1800	18×21.5	1800	0.039	0.3
50	33	8×10.5	300	0.340	6.7
	47	8×10.5	300	0.340	6.7
		10×10.5	500	0.220	4.4
	100	10×10.5	500	0.220	4.4
	360	12.5×16	900	0.150	3.0
	510	16×16.5	950	0.120	2.0
	680	18×16.5	1000	0.110	1.8
	820	16×21.5	1300	0.073	1.3
	1200	18×21.5	1450	0.066	1.1