

**PLEASE CHECK WWW.MOLEX.COM FOR LATEST PART INFORMATION**

**Part Number:** [30700-1244](#)  
**Status:** **Active**  
**Overview:** H-DAC 64™ Dual-Row High Density Automotive Connectors  
**Description:** 2.54mm, 3.50mm Pitch, H-DAC 64™ Hybrid Female Harness Assembly, 24 Circuits, Polarization Option A without Bridge, Gray

**Documents:**

[3D Model](#) [Application Specification AS-30700-000 \(PDF\)](#)  
[Drawing \(PDF\)](#) [RoHS Certificate of Compliance \(PDF\)](#)  
[Product Specification PS-30968-024 \(PDF\)](#)

**General**

Product Family	Crimp Housings
Series	<a href="#">30700</a>
Application	Power, Wire-to-Wire
Comments	Polarization Option A
Overview	<a href="#">H-DAC 64™ Dual-Row High Density Automotive Connectors</a>
Product Name	H-DAC 64™
UPC	822348688838

**Physical**

Circuits (maximum)	24
Color - Resin	Gray
Gender	Female
Glow-Wire Compliant	No
Lock to Mating Part	Yes
Material - Resin	High Performance Thermoplastic
Net Weight	13.050/g
Number of Rows	2
Packaging Type	Bag
Panel Mount	No
Pitch - Mating Interface	2.54mm, 3.50mm
Polarized to Mating Part	Yes
Stackable	No
Temperature Range - Operating	-40°C to +100°C

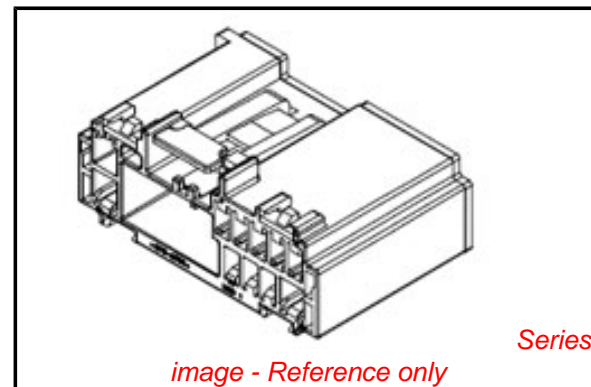
**Electrical**

Current - Maximum per Contact	7A
-------------------------------	----

**Material Info**

**Reference - Drawing Numbers**

Application Specification	AS-30700-000
Product Specification	PS-30968-024
Sales Drawing	SD-30700-124



**EU RoHS**

**ELV and RoHS Compliant**

**REACH SVHC**

Not Reviewed

**Low-Halogen Status**

**Low-Halogen**

**China RoHS**



**Need more information on product environmental compliance?**

Email [productcompliance@molex.com](mailto:productcompliance@molex.com)  
 For a multiple part number RoHS Certificate of Compliance, [click here](#)

Please visit the [Contact Us](#) section for any non-product compliance questions.

**Search Parts in this Series**

[30700Series](#)

**Mates With**

[30700 Header](#), [30968 Crimp Housing](#)

**Use With**

[34230 Terminal](#)