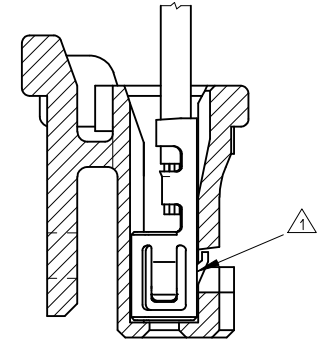
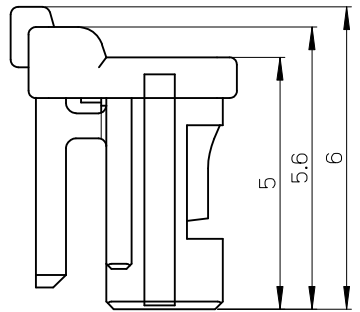
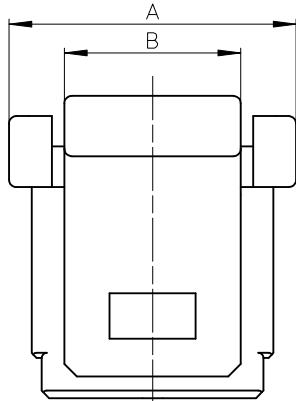
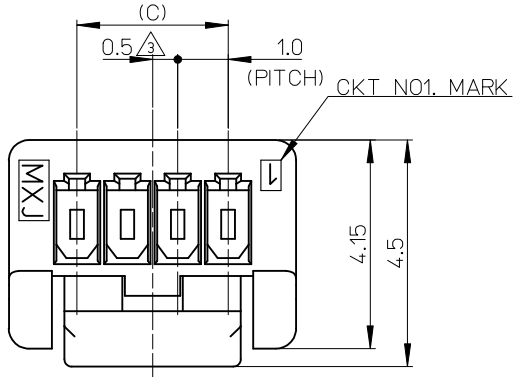


- NOTES.
- ① 適合ターミナル : 501334-****
APPLICABLE TERMINAL : 501334-****
 - ② 嵌合相手 : 501940/501953-****
MATE WITH : 501940/501953-****
 - ③ 偶数極に適用
APPLY FOR EVEN CIRCUIT SIZE
 - ④ ELV 及び RoHS適合品
ELV AND RoHS COMPLIANT.
 - ⑤ 材質
MATERIAL
66ナイロン 66NYLON
ガラス無充填 GLASS FILLED 0%
UL94V-0



ターミナル装着図
TERMINAL ASSEMBLY DRAWING

4.0	3.5	6.7	5
3.0		5.7	4
2.0	2.5	4.7	3
C	B	A	極数 CIRCUITS

CONNECTOR SERIES No. 501939-****

REVISED EC NO: J2010-0339 DRWN: TAKAGAWA01 2009/09/01 CHKD: MATSUMOTO 2009/09/01 APPR: HIRATA 2009/09/01	GENERAL TOLERANCES (UNLESS SPECIFIED)		DIMENSION STYLE MM ONLY		SCALE 10:1	DESIGN UNITS METRIC	THIRD ANGLE PROJECTION		
	10 UNDER	±0.2	DRAWN BY NYOSHIDA	DATE 2005/09/16	TITLE 1.0 WIRE TO BOARD CONN. 1-ROW RECPACLE HOUSING POSITIVE LOCK MOLEX INCORPORATED				
	10 OVER 30 UNDER	±0.25	CHECKED BY AMIZUMURA	DATE 2005/09/16					
	30 OVER	±0.3	APPROVED BY MYAGI	DATE 2005/09/16					
	ANGULAR ±3 °	DRAFT WHERE APPLICABLE MUST REMAIN WITHIN DIMENSIONS		MATERIAL NO. SEE SHEET 2	DOCUMENT NO. SD-501939-001	SHEET NO. 1 OF 2			
		SIZE A3	THIS DRAWING CONTAINS INFORMATION THAT IS PROPRIETARY TO MOLEX INCORPORATED AND SHOULD NOT BE USED WITHOUT WRITTEN PERMISSION						

F

E

D

C

B

A

	紫 VIOLET	橙 ORANGE	茶 BROWN	緑 GREEN	色 COLOR
	501939-0539	501939-0538	501939-0537	501939-0536	5
	501939-0439	501939-0438	501939-0437	501939-0436	4
	501939-0339	501939-0338	501939-0337	501939-0336	3
	PLASTIC BAG PACKAGE	PLASTIC BAG PACKAGE	PLASTIC BAG PACKAGE	PLASTIC BAG PACKAGE	極数
	オーダー番号 ORDER NO.	オーダー番号 ORDER NO.	オーダー番号 ORDER NO.	オーダー番号 ORDER NO.	CIRCUITS
CONNECTOR SERIES No. 501939-****					
	青 BLUE	黄 YELLOW	赤 RED	黒 BLACK	白 WHITE
	501939-0534	501939-0533	501939-0532		501939-0500
	501939-0434	501939-0433	501939-0432	501939-0431	501939-0400
	501939-0334	501939-0333	501939-0332	501939-0331	501939-0300
	PLASTIC BAG PACKAGE	PLASTIC BAG PACKAGE	PLASTIC BAG PACKAGE	PLASTIC BAG PACKAGE	PLASTIC BAG PACKAGE
	オーダー番号 ORDER NO.	オーダー番号 ORDER NO.	オーダー番号 ORDER NO.	オーダー番号 ORDER NO.	オーダー番号 ORDER NO.
					極数
					CIRCUITS
CONNECTOR SERIES No. 501939-****					

REVISED EC NO: J2010-0339 DRWN: TAKAGAWA01 2009/09/01 CHKD: MATSUMOTO 2009/09/01 APPR: HIRATA 2009/09/01	DESCRIPTION REV	GENERAL TOLERANCES (UNLESS SPECIFIED)		DIMENSION STYLE MM ONLY		SCALE 10:1	DESIGN UNITS METRIC	THIRD ANGLE PROJECTION		
		10 UNDER	±0.2	DRAWN BY NYOSHIDA	DATE 2005/09/16	TITLE 1.0 WIRE TO BOARD CONN. 1-ROW RECPTACLE HOUSING POSITIVE LOCK MOLEX INCORPORATED DOCUMENT NO. SD-501939-001				
		10 OVER 30 UNDER	±0.25	CHECKED BY AMIZUMURA	DATE 2005/09/16					
		30 OVER	±0.3	APPROVED BY MYAGI	DATE 2005/09/16					
ANGULAR ±3 °		DRAFT WHERE APPLICABLE MUST REMAIN WITHIN DIMENSIONS		MATERIAL NO. SEE TABLE		SHEET NO. 2 OF 2				
				SIZE A3		THIS DRAWING CONTAINS INFORMATION THAT IS PROPRIETARY TO MOLEX INCORPORATED AND SHOULD NOT BE USED WITHOUT WRITTEN PERMISSION				