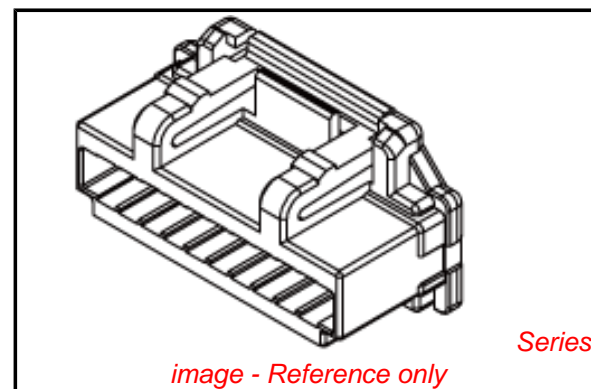


PLEASE CHECK WWW.MOLEX.COM FOR LATEST PART INFORMATION

Part Number: **503110-4000**
Status: **Active**
Overview: Duo-Clasp™
Description: 1.25mm Pitch Duo-Clasp™ Wire-to-Board Housing, Dual Row, Positive Lock, 40 Circuits

Documents:

3D Model	Application Specification AS-503110-002 (PDF)
Drawing (PDF)	Packaging Specification SPK-503110-001 (PDF)
Product Specification PS-501931-002 (PDF)	RoHS Certificate of Compliance (PDF)
Application Specification AS-503110-001 (PDF)	



General

Product Family	Crimp Housings
Series	503110
Application	Signal, Wire-to-Board
Overview	Duo-Clasp™
Product Name	Duo-Clasp™
UPC	800756934136

Physical

Breakaway	No
Circuits (maximum)	40
Color - Resin	White
Gender	Plug
Glow-Wire Compliant	No
Keying to Mating Part	Yes
Lock to Mating Part	Yes
Net Weight	552.000/mg
Number of Rows	2
Packaging Type	Bag
Panel Mount	No
Pitch - Mating Interface	1.25mm
Pitch - Termination Interface	1.25mm
Polarized to Mating Part	Yes
Ports	1
Stackable	No
Temperature Range - Operating	-25°C to +85°C

Electrical

Current - Maximum per Contact	1A
-------------------------------	----

Material Info

Reference - Drawing Numbers

Application Specification	AS-503110-001, AS-503110-002
Packaging Specification	SPK-503110-001
Product Specification	PS-501931-002, RPS-501931-002, RPS-501931-003, RPS-501931-004
Sales Drawing	SD-503110-001

EU RoHS

ELV and RoHS Compliant
REACH SVHC Contains SVHC: No
Low-Halogen Status
Not Low-Halogen

China RoHS



Need more information on product environmental compliance?

Email productcompliance@molex.com
 For a multiple part number RoHS Certificate of Compliance, [click here](#)

Please visit the [Contact Us](#) section for any non-product compliance questions.

Search Parts in this Series

503110Series

Mates With

501931 PCB Receptacle . 502046 PCB Receptacle

Use With

501930 Crimp Terminal