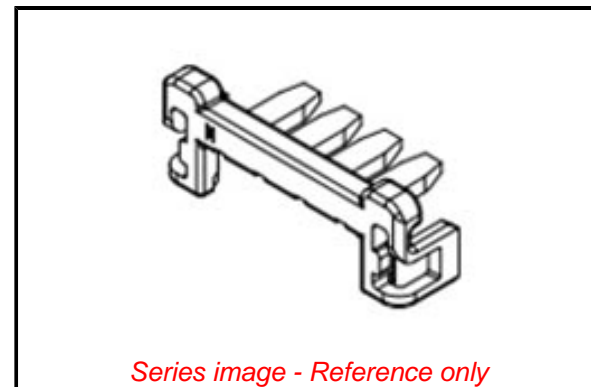


PLEASE CHECK WWW.MOLEX.COM FOR LATEST PART INFORMATION

Part Number: **5051520600**
Status: **Active**
Overview: DuraClik Connector System
Description: DuraClik Wire-to-Board 2-Way Terminal Position Assurance (TPA) Retainer, 6 Circuits

Documents:

<u>3D Model</u>	<u>Application Specification AS-505151-001-001 (PDF)</u>
<u>3D Model (PDF)</u>	<u>Application Specification AS-505151-002-001 (PDF)</u>
<u>Drawing (PDF)</u>	<u>Packaging Specification SPK-505152-001-001 (PDF)</u>
<u>Product Specification 5051510002-000 (PDF)</u>	<u>Datasheet (PDF)</u>
<u>Product Specification PS-505151-001-001 (PDF)</u>	<u>RoHS Certificate of Compliance (PDF)</u>



General

Product Family	Accessories
Series	<u>505152</u>
Application	Automotive
Component Type	Terminal Position Assurance
Overview	<u>DuraClik Connector System</u>
Product Name	DuraClik
UPC	887191735184

Physical

Circuits (Loaded)	6
Circuits (maximum)	6
Lock to Mating Part	Yes
Material - Resin	PBT
Net Weight	76.000/mg
Number of Rows	1
Packaging Type	Bag
Polarized to Mating Part	Yes
Temperature Range - Operating	-40° to +125°C
Termination Interface: Style	Crimp or Compression

Electrical

Current - Maximum per Contact	3.0A
-------------------------------	------

Material Info

Reference - Drawing Numbers

Application Specification	AS-505151-001-001, AS-505151-002-001
Packaging Specification	SPK-505152-001-001
Product Specification	5051510002-000, PS-505151-001-001
Sales Drawing	SD-505152-001

EU ELV

Compliant

EU RoHS

Compliant

REACH SVHC

Not Contained Per -
ECHA_01_2020 (16
January 2020

Halogen-Free

Status

Not Low-Halogen

For more information, please visit [Contact US](#)

China ROHS

ELV

RoHS Phthalates

China RoHS

Green Image

Compliant

Not Contained

Search Parts in this Series

505152 Series

Use With

505151 DuraClik TPA Wire-to-Board
Housing, 505153 DuraClik TPA Wire-to-
Board Terminal