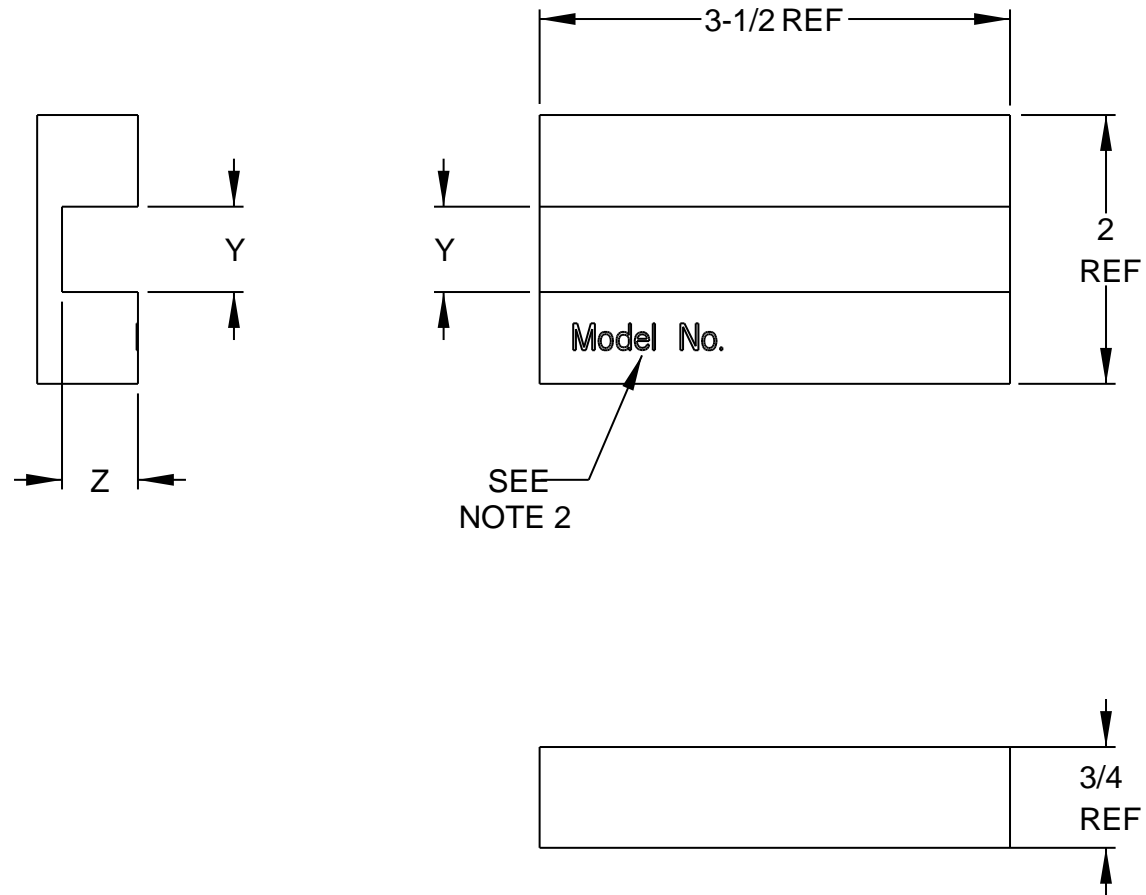


Model No.	DIMENSION	
	Y	Z
511	.450	.550
511A	.600	.640
511B	REFERENCE 513-SPEC.	
511C	.610	.565
511D	.635 +.005/-0	.565

PRODUCT SPECIFICATION SHEET			DWG NO.	511-SPECIFICATION
REVISIONS			TITLE	
REV	ECO	DESCRIPTION	BY/DATE	CHK'D/DATE
A		INITIAL RELEASE	DC 9JUN06	



NOTES:

1. MATERIAL: 6061-T6 ALUMINUM.
2. IMPRESSION STAMPED MODEL No.
3. TOLERANCES: unless otherwise specified
.XXX ±.005

ALL DESIGN, OPERATIVE, AND PROCESS DATA PERTAINING TO THE ARTICLE ON THIS SHEET IS THE PROPERTY OF PANAVISE PRODUCTS, INC., RENO, NV. THIS INFORMATION IS DISCLOSED IN CONFIDENCE AND IS NOT TO BE COPIED, REPRODUCED, OR REVEALED TO OR APPROPRIATED BY OTHERS IN PART OR IN WHOLE, WITHOUT THE EXPRESSED CONSENT OF PANAVISE. THIS PRINT IS LOANED, AND MUST NOT BE USED IN ANY MANNER DETRIMENTAL TO THE INTEREST OF PANAVISE, AND MUST BE RETURNED ON DEMAND.



BASIC DIM. ENGLISH [ALTERNATE DIM. METRIC]

DRAWN	DATE	SCALE	SHT
D CLARK	9 JUN 06	7:10	1 OF 1

TITLE		
PanaVise IDC BLOCK - 511 SERIES CARD EDGE CONNECTORS		
SIZE	DWG. NO.	REV
A	511-SPECIFICATION	A