

**PLEASE CHECK WWW.MOLEX.COM FOR LATEST PART INFORMATION**

**Part Number:** [53375-0510](#)  
**Status:** **Active**  
**Overview:** [Mini-Lock™](#)  
**Description:** 2.50mm Pitch Mini-Lock™ Wire-to-Board Header, Vertical, Friction and Positive Lock, 5 Circuits, Lead-Free

**Documents:**

[3D Model](#) [Product Specification PS-51163-002 \(PDF\)](#)  
[Drawing \(PDF\)](#) [RoHS Certificate of Compliance \(PDF\)](#)  
[Product Specification PS-51103-005 \(PDF\)](#)

**Agency Certification**

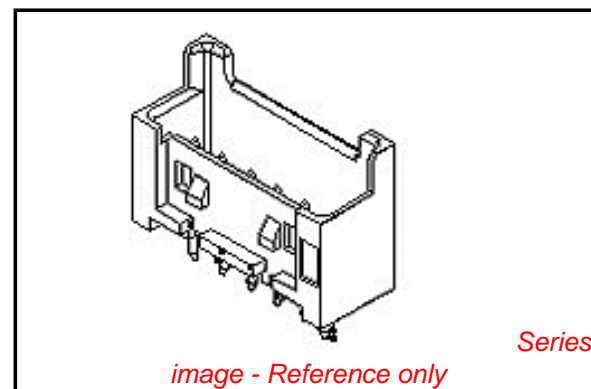
CSA	LR19980
TUV	R72081037
UL	E29179

**General**

Product Family	PCB Headers
Series	<a href="#">53375</a>
Application	Signal, Wire-to-Board
MolexKits	Yes
Overview	<a href="#">Mini-Lock™</a>
Product Name	Mini-Lock™
UPC	800754235167

**Physical**

Breakaway	No
Circuits (Loaded)	5
Circuits (maximum)	5
Color - Resin	Natural
Durability (mating cycles max)	30
First Mate / Last Break	No
Flammability	94V-0
Glow-Wire Compliant	No
Guide to Mating Part	No
Keying to Mating Part	None
Lock to Mating Part	Yes
Material - Plating Mating	Tin
Material - Plating Termination	Tin
Material - Resin	Polyester
Net Weight	654.000/mg
Number of Rows	1
Orientation	Vertical
PC Tail Length	3.40mm
PCB Locator	Yes
PCB Retention	Yes
PCB Thickness - Recommended	1.60mm
Packaging Type	Bag
Pitch - Mating Interface	2.50mm
Polarized to PCB	Yes
Shrouded	Fully
Stackable	No
Surface Mount Compatible (SMC)	No
Temperature Range - Operating	-40°C to +105°C
Termination Interface: Style	Through Hole



**EU RoHS**

**ELV and RoHS Compliant**

**REACH SVHC**

Not Reviewed

**Low-Halogen Status**

**Not Low-Halogen**

**China RoHS**



**Need more information on product environmental compliance?**

Email [productcompliance@molex.com](mailto:productcompliance@molex.com)  
 For a multiple part number RoHS Certificate of Compliance, [click here](#)

Please visit the [Contact Us](#) section for any non-product compliance questions.

**Search Parts in this Series**

[53375Series](#)

**Mates With**

Mini-Lock™ Wire-to-Board and Wire-to-Wire Crimp Terminal [51103](#) , [51102](#) , [51163](#)

**Electrical**

Current - Maximum per Contact

3A

Voltage - Maximum

250V

**Material Info****Reference - Drawing Numbers**

Product Specification

PS-51103-005, PS-51163-002, RPS-51103-009,  
RPS-51103-010, RPS-51103-011, RPS-51103-032,  
RPS-51103-041, RPS-51103-046, RPS-51103-047,  
RPS-51103-050, RPS-51103-056, RPS-51163-002,  
RPS-51163-004

Sales Drawing

SD-53375-001

This document was generated on 01/18/2013

**PLEASE CHECK [WWW.MOLEX.COM](http://WWW.MOLEX.COM) FOR LATEST PART INFORMATION**