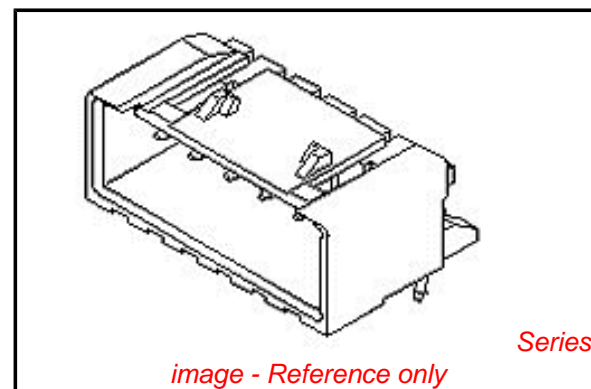


**PLEASE CHECK WWW.MOLEX.COM FOR LATEST PART INFORMATION**

**Part Number:** [53426-0510](#)  
**Status:** **Active**  
**Overview:** Mini-Lock™  
**Description:** 2.50mm Pitch Mini-Lock™ Wire-to-Board Header, Right Angle, Friction and Positive Lock, 5 Circuits, Lead-Free

**Documents:**

<a href="#">3D Model</a>	<a href="#">Product Specification PS-51163-002 (PDF)</a>
<a href="#">Drawing (PDF)</a>	<a href="#">Packaging Specification SPK-53426-002 (PDF)</a>
<a href="#">Product Specification PS-51102-002 (PDF)</a>	<a href="#">RoHS Certificate of Compliance (PDF)</a>
<a href="#">Product Specification PS-51103-005 (PDF)</a>	



**Agency Certification**

CSA	LR19980
TUV	R72081037
UL	E29179

**General**

Product Family	PCB Headers
Series	<a href="#">53426</a>
Application	Signal, Wire-to-Board
MolexKits	Yes
Overview	<u>Mini-Lock™</u>
Product Name	Mini-Lock™
UPC	800754368766

**Physical**

Breakaway	No
Circuits (Loaded)	5
Circuits (maximum)	5
Color - Resin	White
Durability (mating cycles max)	30
Flammability	94V-0
Glow-Wire Compliant	No
Keying to Mating Part	Yes
Lock to Mating Part	Yes
Material - Metal	Phosphor Bronze
Material - Plating Mating	Tin
Material - Plating Termination	Tin
Net Weight	735.600/mg
Number of Rows	1
Orientation	Right Angle
PC Tail Length	3.40mm
PCB Locator	No
PCB Retention	Yes
PCB Thickness - Recommended	1.60mm
Packaging Type	Tray
Pitch - Mating Interface	2.50mm
Polarized to PCB	No
Shrouded	Fully
Stackable	No
Surface Mount Compatible (SMC)	No
Temperature Range - Operating	-40°C to +105°C
Termination Interface: Style	Through Hole

**Electrical**

**EU RoHS**

**ELV and RoHS Compliant**  
**REACH SVHC Contains SVHC: No**  
**Low-Halogen Status Not Low-Halogen**

**China RoHS**



**Need more information on product environmental compliance?**

Email [productcompliance@molex.com](mailto:productcompliance@molex.com)  
 For a multiple part number RoHS Certificate of Compliance, [click here](#)

Please visit the [Contact Us](#) section for any non-product compliance questions.

**Search Parts in this Series**

[53426Series](#)

**Mates With**

[51102](#) Housing with Friction Lock, [51103](#) Housing with Positive Lock, [51163](#) , [51164](#) Housing with Positive Lock and Retainer, [50351](#) Crimp Terminal, [50752](#) Crimp Terminal

Current - Maximum per Contact  
Voltage - Maximum

3A  
250V

### **Material Info**

### **Reference - Drawing Numbers**

Packaging Specification  
Product Specification

SPK-53426-002  
PS-51102-002, PS-51103-005, PS-51163-002,  
RPS-51102-001, RPS-51103-010, RPS-51103-011,  
RPS-51103-032, RPS-51103-034, RPS-51103-039,  
RPS-51103-041, RPS-51103-044, RPS-51103-047,  
RPS-51103-050, RPS-51103-056, RPS-51103-057,  
RPS-51103-059, RPS-51163-002, RPS-51163-004  
SD-53426-001

Sales Drawing

This document was generated on 02/04/2013

**PLEASE CHECK [WWW.MOLEX.COM](http://WWW.MOLEX.COM) FOR LATEST PART INFORMATION**