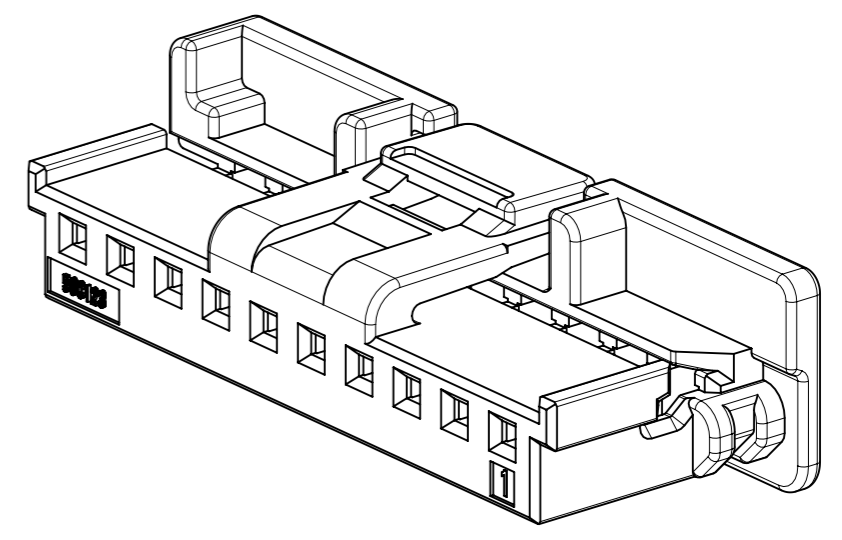
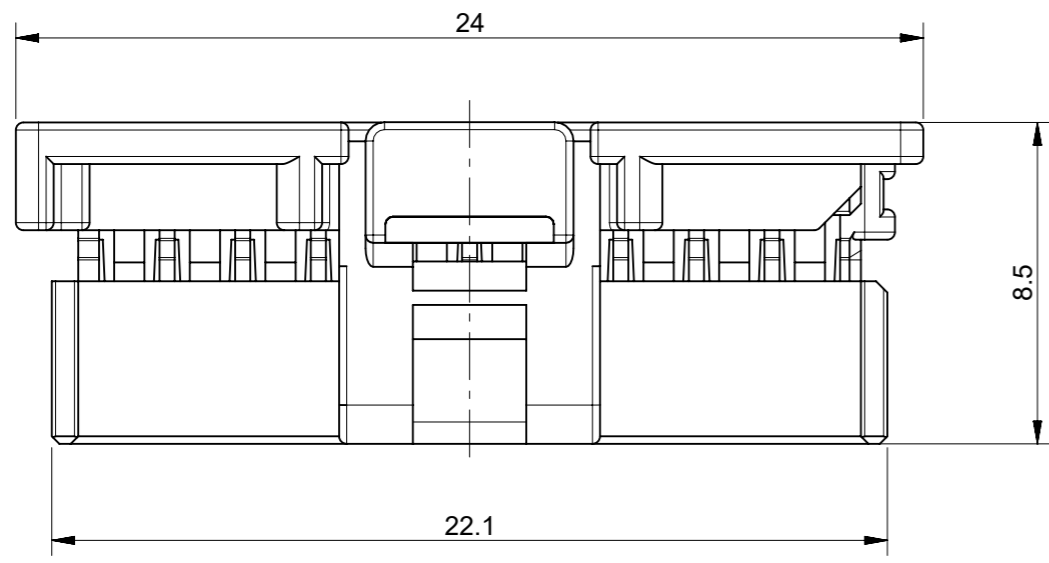
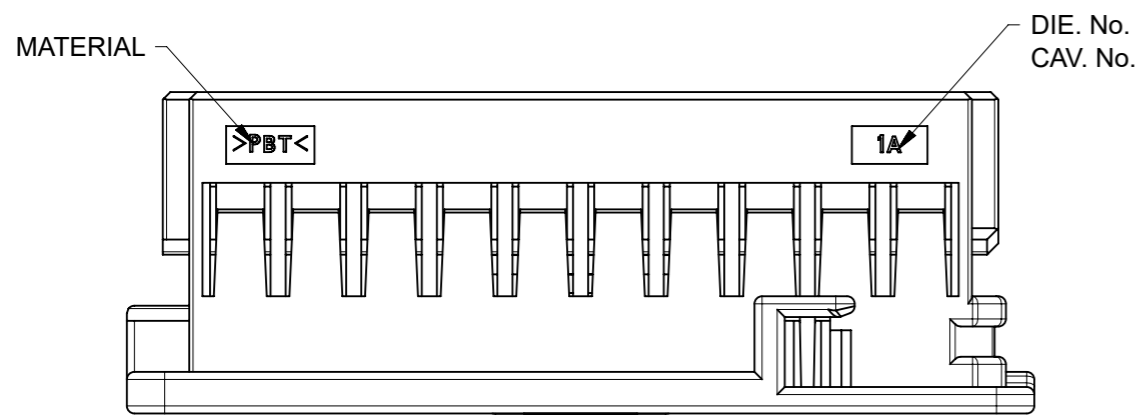
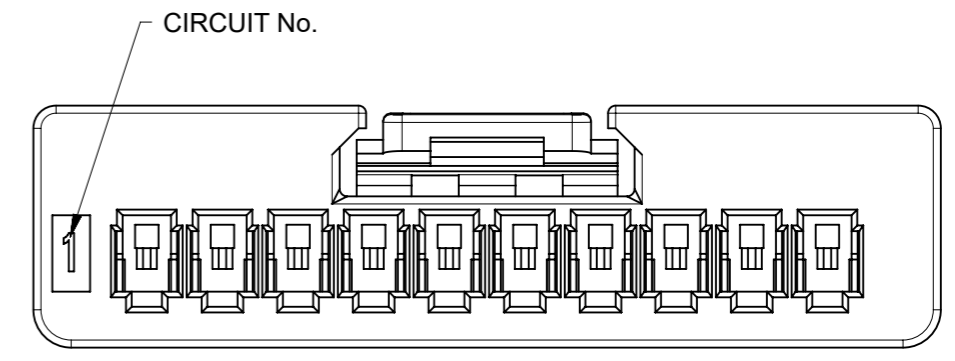
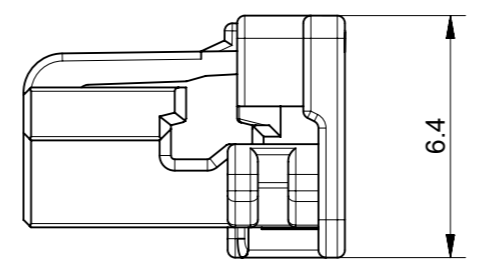
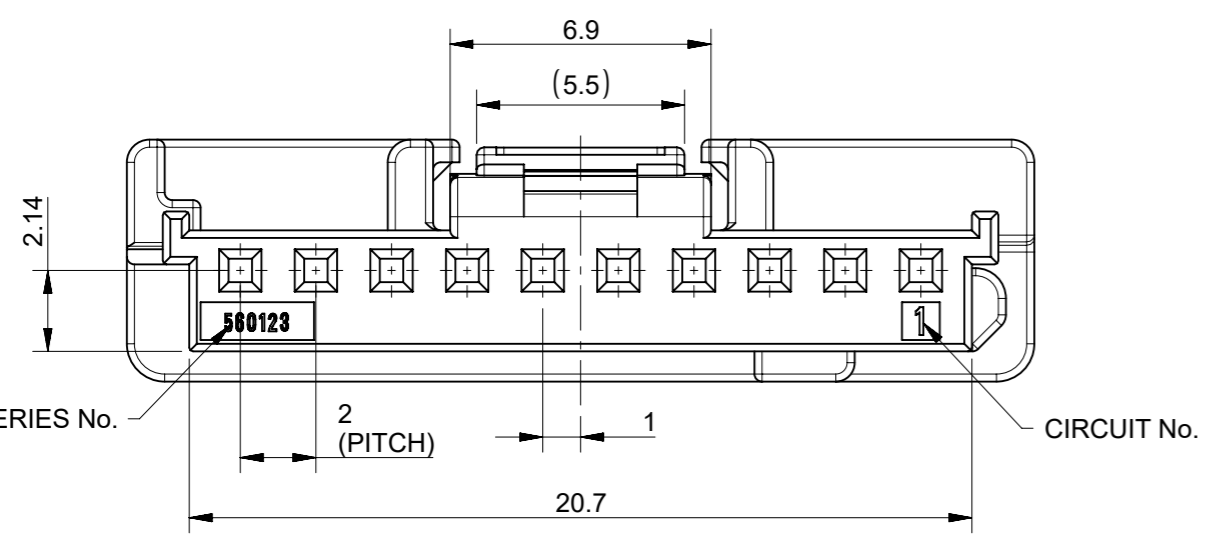


GENERAL TOLERANCE										USED ON
10 MAX	30 MAX	50 MAX	70 MAX	100 MAX	120 MAX	250 MAX	250 OVER	ANGLE	ECCENT	
±0.15	±0.20	±0.30	±0.40	±0.50	±0.75	±0.90	±1.4	±0.5°	0.1	



ISO VIEW



- NOTES:
1. MATERIALS : POLYESTER (PBT), GLASS UNFILLED, UL94 V-0
 2. MATE WITH : 502352, 560020 SERIES
 3. APPLICABLE TERMINAL : 560124 SERIES
 4. APPLICABLE ISL : 560125 SERIES
 5. GENERAL TOLERANCE : SEE TABLE
 6. EVL AND RoHS COMPLIANT
 7. PRODUCT SPECIFICATION : PS-560123-00*
 8. PACKING SPECIFICATION : PK-560123-001

MATERIAL NUMBER

ORDER NO.	MATERIAL NO.	COLOR
560123-1000	5601231000	WHITE

FUNCTIONAL SYMBOLS	THIS DRAWING CONTAINS INFORMATION THAT IS PROPRIETARY TO MOLEX ELECTRONIC TECHNOLOGIES, LLC AND SHOULD NOT BE USED WITHOUT WRITTEN PERMISSION	CURRENT REV DESC:																												
	<table border="1"> <tr> <th>DIMENSION UNITS</th> <th>SCALE</th> </tr> <tr> <td>mm</td> <td>5:1</td> </tr> </table>	DIMENSION UNITS	SCALE				mm	5:1	<table border="1"> <tr> <th>GENERAL TOLERANCES (UNLESS SPECIFIED)</th> <th>ANGULAR TOL</th> </tr> <tr> <td>4 PLACES ±</td> <td>± 1.0°</td> </tr> </table>		GENERAL TOLERANCES (UNLESS SPECIFIED)	ANGULAR TOL	4 PLACES ±	± 1.0°	<table border="1"> <tr> <td>EC NO: 668822</td> <td>2021/07/01</td> </tr> <tr> <td>DRWN: SAKIM</td> <td>2021/07/05</td> </tr> <tr> <td>CHK'D: HIJIMA</td> <td>2021/07/05</td> </tr> <tr> <td>APPR: HIJIMA</td> <td>2021/07/05</td> </tr> </table>			EC NO: 668822	2021/07/01	DRWN: SAKIM	2021/07/05	CHK'D: HIJIMA	2021/07/05	APPR: HIJIMA	2021/07/05					
DIMENSION UNITS	SCALE																													
mm	5:1																													
GENERAL TOLERANCES (UNLESS SPECIFIED)	ANGULAR TOL																													
4 PLACES ±	± 1.0°																													
EC NO: 668822	2021/07/01																													
DRWN: SAKIM	2021/07/05																													
CHK'D: HIJIMA	2021/07/05																													
APPR: HIJIMA	2021/07/05																													
DIVISIONAL SYMBOLS	<table border="1"> <tr> <th>PLACES</th> <th>TOLERANCE</th> </tr> <tr> <td>3 PLACES ±</td> <td>±</td> </tr> <tr> <td>2 PLACES ±</td> <td>±</td> </tr> <tr> <td>1 PLACE ±</td> <td>±</td> </tr> <tr> <td>0 PLACES ±</td> <td>±</td> </tr> </table>	PLACES	TOLERANCE	3 PLACES ±	±	2 PLACES ±	±	1 PLACE ±	±	0 PLACES ±	±	<table border="1"> <tr> <td>INITIAL REVISION:</td> <td>2015/07/13</td> </tr> <tr> <td>DRWN: JKSEO01</td> <td>2015/08/18</td> </tr> <tr> <td>APPR: JYCHOI</td> <td></td> </tr> </table>		INITIAL REVISION:	2015/07/13	DRWN: JKSEO01	2015/08/18	APPR: JYCHOI		<table border="1"> <tr> <th>DOCUMENT NUMBER</th> <th>DOC TYPE</th> <th>DOC PART</th> <th>REVISION</th> </tr> <tr> <td>SD-560123-006</td> <td>PSD</td> <td>001</td> <td>B3</td> </tr> </table>			DOCUMENT NUMBER	DOC TYPE	DOC PART	REVISION	SD-560123-006	PSD	001	B3
PLACES	TOLERANCE																													
3 PLACES ±	±																													
2 PLACES ±	±																													
1 PLACE ±	±																													
0 PLACES ±	±																													
INITIAL REVISION:	2015/07/13																													
DRWN: JKSEO01	2015/08/18																													
APPR: JYCHOI																														
DOCUMENT NUMBER	DOC TYPE	DOC PART	REVISION																											
SD-560123-006	PSD	001	B3																											
DRAFT WHERE APPLICABLE MUST REMAIN WITHIN DIMENSIONS		THIRD ANGLE PROJECTION	DRAWING	SERIES	MATERIAL NUMBER	CUSTOMER	SHEET NUMBER																							
			A3-SIZE	560123	5601231000	GENERAL MARKET	1 OF 1																							