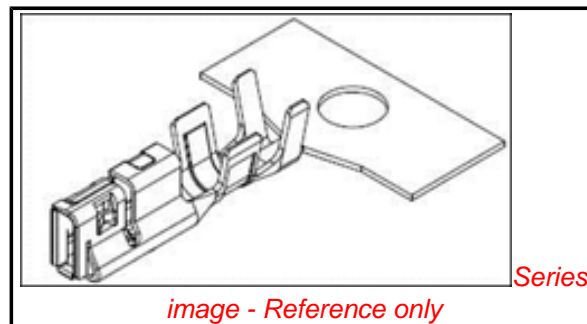


PLEASE CHECK WWW.MOLEX.COM FOR LATEST PART INFORMATION

Part Number: [560124-0101](#)
Status: **Active**
Overview: [DuraClik™ Connector System](#)
Description: [DuraClik™ ISL Wire-to-Board Crimp Receptacle Terminal, Female, ASS 0.3 Square Wire](#)

Documents:

| | |
|---|---|
| Drawing (PDF) | Packaging Specification PK-560124-001 (PDF) |
| Product Specification PS-560123-002 (PDF) | RoHS Certificate of Compliance (PDF) |



General

| | |
|-------------------------|--|
| Product Family | Crimp Terminals |
| Series | 560124 |
| Application | Signal |
| Crimp Quality Equipment | Yes |
| Overview | DuraClik™ Connector System |
| Product Name | DuraClik™ |
| UPC | 887191705569 |

Physical

| | |
|--------------------------------|----------------------|
| Gender | Female |
| Material - Metal | Copper Alloy |
| Material - Plating Mating | Tin |
| Material - Plating Termination | Tin |
| Net Weight | 0.063/g |
| Packaging Type | Reel |
| Termination Interface: Style | Crimp or Compression |
| Wire Insulation Diameter | 1.40mm |
| Wire Size AWG | 22 |
| Wire Size mm ² | 0.35 |

Electrical

| | |
|-------------------------------|------|
| Current - Maximum per Contact | 3A |
| Voltage - Maximum | 125V |

Material Info

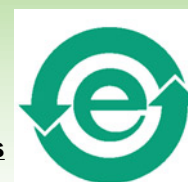
Reference - Drawing Numbers

| | |
|-------------------------|---------------|
| Packaging Specification | PK-560124-001 |
| Product Specification | PS-560123-002 |
| Sales Drawing | SD-560124-001 |

EU RoHS

ELV and RoHS Compliant
REACH SVHC
Contains SVHC: No
Low-Halogen Status
Low-Halogen

China RoHS



Need more information on product environmental compliance?

Email productcompliance@molex.com
 For a multiple part number RoHS Certificate of Compliance, [click here](#)

Please visit the [Contact Us](#) section for any non-product compliance questions.

Search Parts in this Series

[560124Series](#)

Use With

[560123 DuraClik™ ISL Receptacle Housing](#)