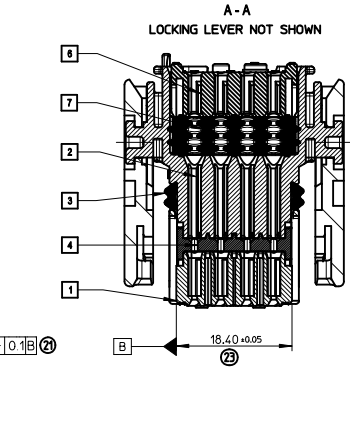
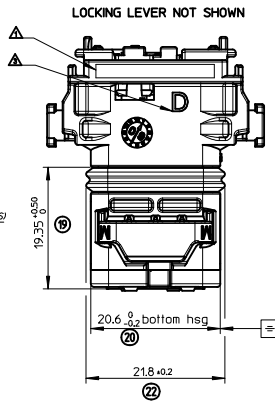
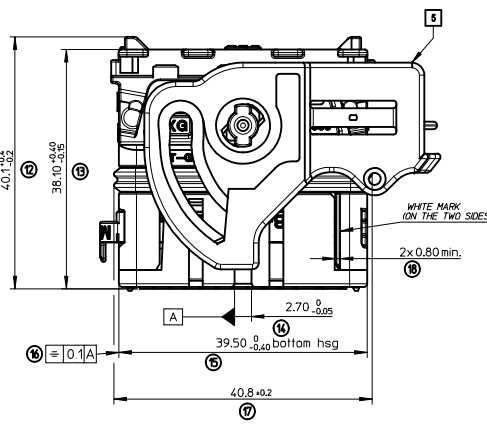
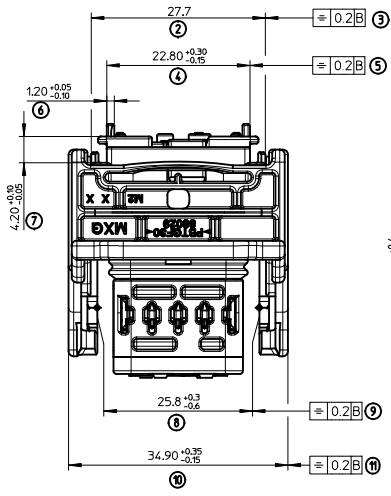


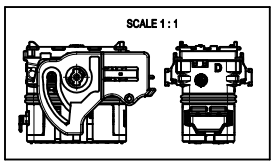
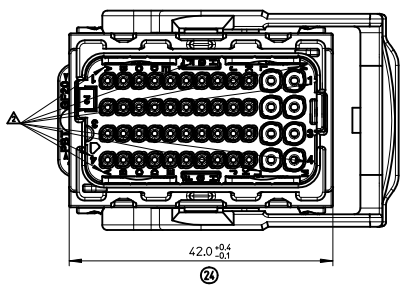
**LEFT WIRE OUTPUT**

MATERIAL NUMBER	COLOR
064320191H	BLACK
064320194B	GREY
0643201939	BROWN
0643201935	GREEN



**RIGHT WIRE OUTPUT**

MATERIAL NUMBER	COLOR
064320331H	BLACK
064320331B	GREY
0643203319	BROWN
0643203315	GREEN



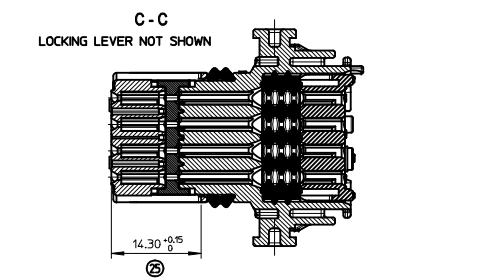
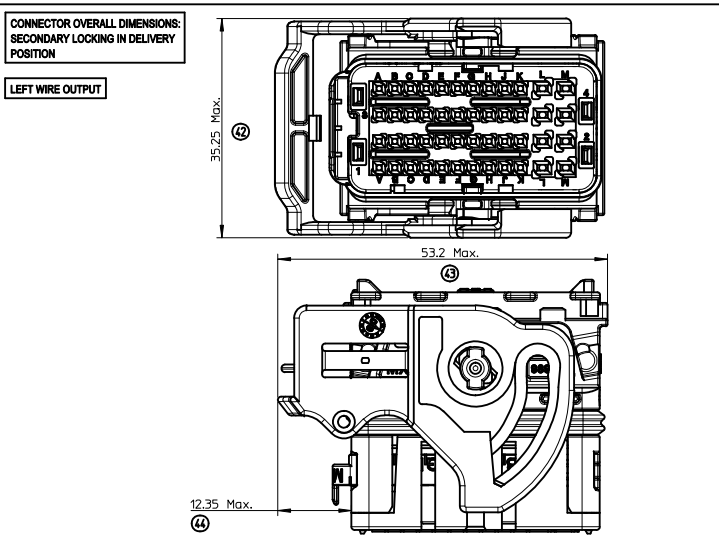
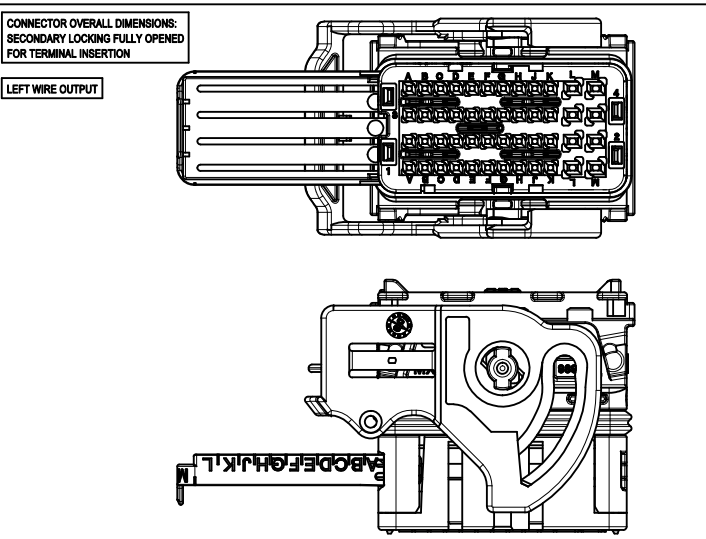
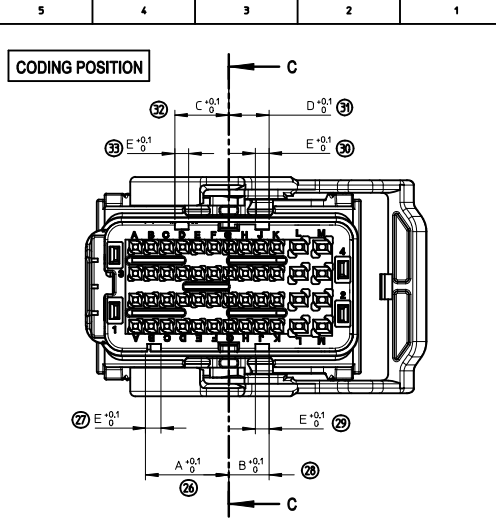
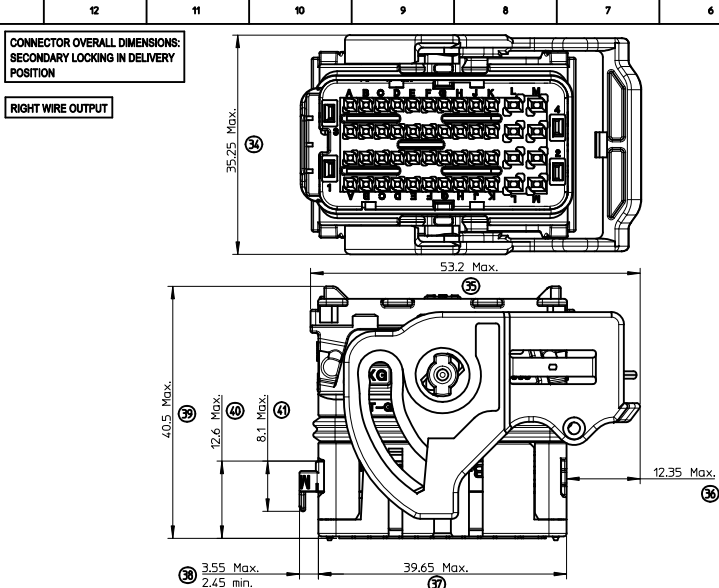
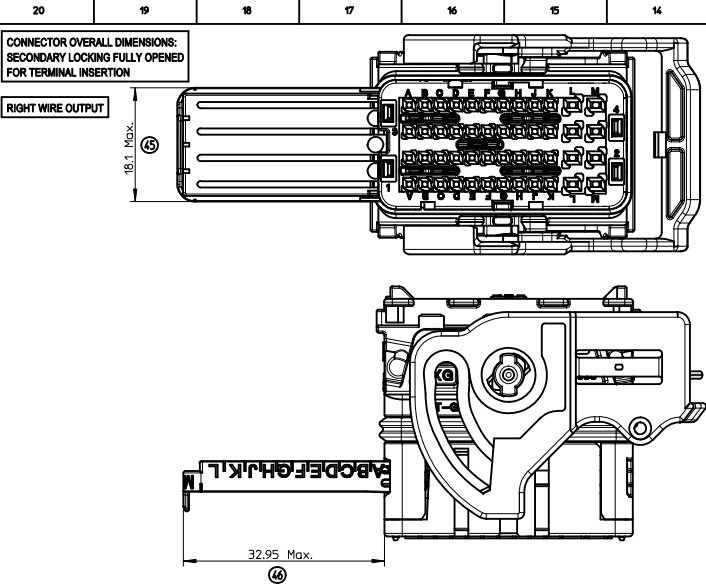
- NOTES:**
- FOR ILLUSTRATION PURPOSE THE FEMALE HOUSING SHOWN IS THE RIGHT WIRE OUTPUT VERSION CODING 1
  - APPLICATION SPECIFICATION: AS-64319-001
  - WIRES EXTERNAL DIAMETER USED:  
FOR CP06 TERMINAL: USE WIRES WITH AN EXTERNAL DIAMETER BETWEEN Ø1.25MM MIN AND Ø1.90MM MAX  
FOR CP15 TERMINAL: USE WIRES WITH AN EXTERNAL DIAMETER BETWEEN Ø1.40MM MIN AND Ø2.80MM MAX
  - THE CONNECTOR FITS WITH WIRE CAP (48 WAY) MOLEX P/N 0643201901
  - BLIND PLUG FOR 06 AND 15 CAVITIES MOLEX P/N 0643251010 AND 0643251023 MUST BE USED ON THIS PART.
  - DELIVERED PRODUCT WEIGHT: 33.8 g

REF.	DESIGNATION	MATERIAL	COLOR
7	MAT SEAL	Silicon	BLUE
8	BACK GRID 48W	>PBT-GF20<	GREY
9	LOCKING LEVER 48W	>PBT-GF30<	BLACK
4	SECONDARY LOCK	>PBT-GF20<	GREY
3	PERIPHERAL SEAL 48W	Silicon	RED
2	BACK PART	>PBT-GF20<	BLACK
1	FRONT PART	>PBT-GF20<	COLOR LINKED TO KEYING

**MARKINGS:**

- ▲ - Assembled part traceability Day + Year
- ▲ - Terminal cavities identification
- ▲ - Lever position indicator: 'D' LETTER VISIBLE - part with 'LEVER ON THE RIGHT' 'G' LETTER VISIBLE - part with 'LEVER ON THE LEFT'
- ▲ - Supplier identification
- ▲ - Material identification

<b>ENTER DESCRIPTION</b> IEC NO: G2010-0205 DRW:PECHELE 2010/06/07 CHK:DP GRANDCLAUD 2007/07/16 APPR:BOUCHAN 2010/07/07	<b>QUALITY SYMBOLS</b> ∇=0 ∇=0 ∇=0	<b>GENERAL TOLERANCES (UNLESS SPECIFIED)</b>		<b>DIMENSION STYLE</b> MM ONLY		SCALE 2.5:1	DESIGN UNITS METRIC	FIRST ANGLE PROJECTION	
		4 PLACES ± --- ± ---	3 PLACES ± --- ± ---	2 PLACES ± 0.1 ± ---	1 PLACE ± 0.1 ± ---	DRAWN BY T. BADAROUX	DATE 2007/07/16	TITLE CMC CONNECTOR 48 WAY MAT SEAL VERSION	
		ANGULAR ± 2 °		DRAFT WHERE APPLICABLE MUST REMAIN WITHIN DIMENSIONS		CHECKED BY P. GRANDCLAUD	DATE 2007/07/16	MOLEX INCORPORATED	
		SEE SHEET 2		THIS DRAWING CONTAINS INFORMATION THAT IS PROPRIETARY TO MOLEX INCORPORATED AND SHOULD NOT BE USED WITHOUT WRITTEN PERMISSION		APPROVED BY C. BOUCHAN	DATE 2007/07/16	DOCUMENT NO. SD-64320-001	SHEET NO. 1 OF 2



COLOR	CODING	A	B	C	D	E
BLACK	1	13	6.4	8.6	6.4	2.2
GREY	2	10.8	8.6	13	8.6	2.2
BROWN	3	8.6	10.8	13	13	2.2
GREEN	4	10.8	13	6.4	6.4	2.2

TERMINALS USED

CAVITY #	FEMALE TERMINALS (Section mm2)	PLATING	MOLEX P/N	min / MAX WIRE INSULATION DIAMETER (mm)
A1 to K1 A2 to K2 A3 to K3 A4 to K4	CP 0.6 0.35mm2	Tin plated	0643221019	Ø1.25 min / Ø1.40 Max
		Gold plated	0643221229	
	CP 0.6 0.5mm2	Tin plated	0643221039	Ø1.40 min / Ø1.70 Max
		Gold plated	0643221239	
L1 to L4 M1 to M4	CP 0.6 0.75mm2	Tin plated	0643221029	Ø1.60 min / Ø1.90 Max
		Gold plated	0643221219	
	CP 1.5 0.5mm2 to 1mm2	Tin plated	0643231019	Ø1.40 min / Ø2.15 Max
		Gold plated	0643231319	
CP 1.5 >1mm2 to 2mm2	Tin plated	0643231039	Ø2.10 min / Ø2.80 Max	
	Gold plated	0643231219		

ENTER DESCRIPTION  
EC NO: G2010-0205  
DRAWN BY: DRWINPECHELE  
CHKD BY: GRANDCLAUD  
APPR: BOUCHAN

QUALITY SYMBOLS  
V=0  
V=0  
V=0

GENERAL TOLERANCES (UNLESS SPECIFIED)

	mm	INCH
4 PLACES	± 0.1	± 0.004
3 PLACES	± 0.15	± 0.006
2 PLACES	± 0.2	± 0.008
1 PLACE	± 0.3	± 0.012
ANGULAR		± 2°

DRAFT WHERE APPLICABLE MUST REMAIN WITHIN DIMENSIONS

DIMENSION STYLE  
MM ONLY

SCALE  
2.5:1

DESIGN UNITS  
METRIC

FIRST ANGLE PROJECTION

TITLE  
CMC CONNECTOR 48 WAY  
MAT SEAL VERSION

APPROVED BY: C. BOUCHAN  
DATE: 2007/07/16

APPROVED BY: P. GRANDCLAUD  
DATE: 2007/07/16

MATERIAL NO.  
DOCUMENT NO.

MOLEX INCORPORATED

SD-64320-001

SHEET NO.  
2 OF 2

THIS DRAWING CONTAINS INFORMATION THAT IS PROPRIETARY TO MOLEX INCORPORATED AND SHOULD NOT BE USED WITHOUT WRITTEN PERMISSION