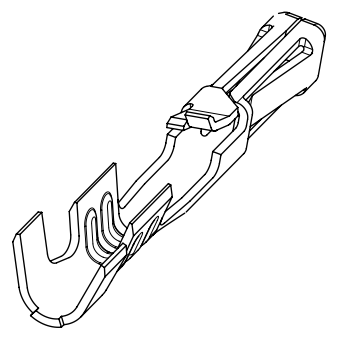


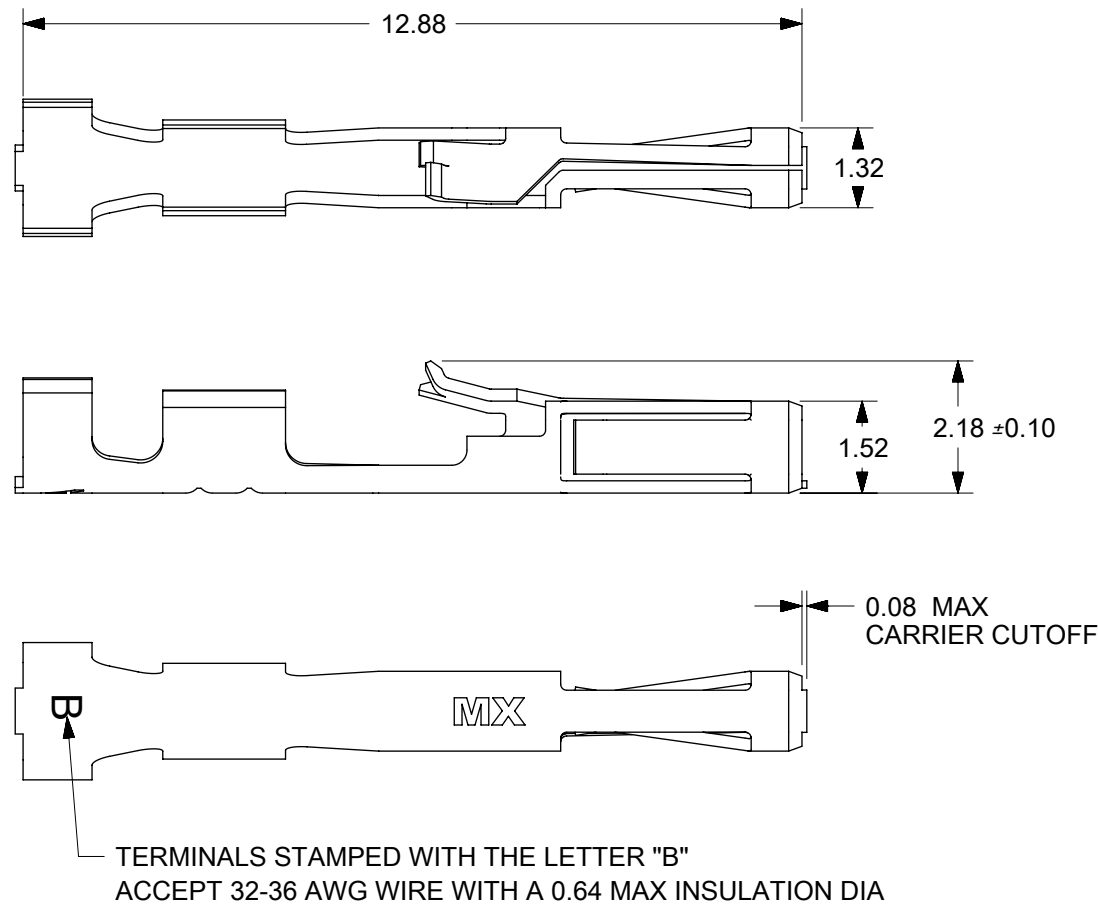
- NOTES:
- MATERIAL: PHOSPHOR BRONZE
  - PLATING:
    - 124 = SELECT BRIGHT TIN: 3.75 MICROMETERS MIN OVER NICKEL
    - 207 = SELECT HARD GOLD: 0.38 MICROMETERS MIN.  
SELECT TIN: 2.0 MICROMETERS MIN BOTH OVER NICKEL
    - 206 = SELECT HARD GOLD: 0.75 MICROMETERS MIN.  
SELECT TIN: 2.0 MICROMETERS MIN BOTH OVER NICKEL
    - P124 = PREPLATED OVERALL BRIGHT TIN: 3.75 MICROMETERS MIN OVER NICKEL  
(MAY HAVE UNPLATED EDGES)
  - PRODUCT SPECIFICATION: TERMINALS CONFORM TO PS-70058 AND PS-70400 WHEN CRIMPED WITH MOLEX CRIMP TOOLS.
  - COSMETIC SPECIFICATION: PS-45499-002 CLASS B
  - TERMINAL FOR USE WITH HOUSING SERIES 70066 AND 70450
  - WIRE SPECIFICATION: TERMINALS STAMPED WITH THE LETTER:
    - A = ACCEPTS 24-30 AWG STRANDED WIRE WITH A 1.52 MAX INSULATION DIA
    - B = ACCEPTS 32-36 AWG STRANDED WIRE WITH A 0.64 MAX INSULATION DIA.
    - C = ACCEPTS 22-24 AWG STRANDED WIRE WITH A 1.63 MAX INSULATION DIA

**TERMINALS ON THIS SHEET ARE FOR USE WITH 24-30 AWG WIRE. SEE SHEETS 2 AND 3 FOR OTHER WIRE SIZES**



MATERIAL NO:	PACKAGING	PLATING SEE NOTE 2	WIRE SIZE	MAX INSULATION DIA
70058-1069	REEL	124 SELECT TIN	24-30 AWG	1.52 DIA MAX
70058-1096	LOOSE			
70058-0069	REEL	P124 OVERALL TIN		
70058-0096	LOOSE			
70058-0082	REEL	207 0.38 GOLD		
70058-0097	LOOSE			
70058-0083	REEL	206 0.75 GOLD		
70058-0098	LOOSE			

SYMBOLS		THIS DRAWING CONTAINS INFORMATION THAT IS PROPRIETARY TO MOLEX ELECTRONIC TECHNOLOGIES, LLC AND SHOULD NOT BE USED WITHOUT WRITTEN PERMISSION	
▽ = 0	DIMENSION UNITS	SCALE	CURRENT REV DESC: DEL ORIG PART NOS
▽ = 0	mm	8:1	
▽ = 0	GENERAL TOLERANCES (UNLESS SPECIFIED)		
▽ = 0	ANGULAR TOL	± °	EC NO: 600955
▽ = 0	4 PLACES	±	DRWN: KSAMIEC 2018/07/03
▽ = 0	3 PLACES	±	CHK'D: FSMITH 2018/08/27
▽ = 0	2 PLACES	± 0.25	APPR: FSMITH 2018/08/27
▽ = 0	1 PLACE	± 0.15	INITIAL REVISION:
▽ = 0	0 PLACES	± 0.0	DRWN: KSAMIEC 2017/05/03
■ = 0	DRAFT WHERE APPLICABLE MUST REMAIN WITHIN DIMENSIONS		APPR: FSMITH 2017/06/16
▽ = 0	THIRD ANGLE PROJECTION	DRAWING	DOCUMENT NUMBER
		B-SIZE	700580000-SD
	SERIES	MATERIAL NUMBER	DOC TYPE
	70058	SEE CHART	PSD
	CUSTOMER	GENERAL MARKET	DOC PART
			000
	SHEET NUMBER		REVISION
	1 OF 4		A4



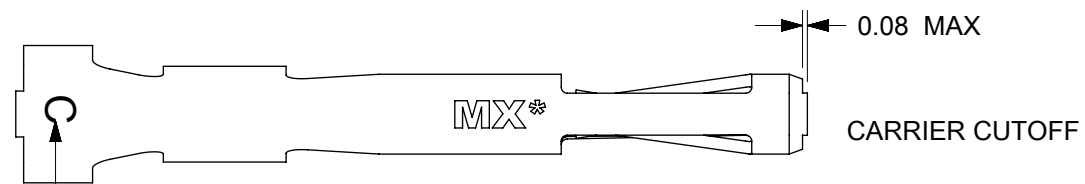
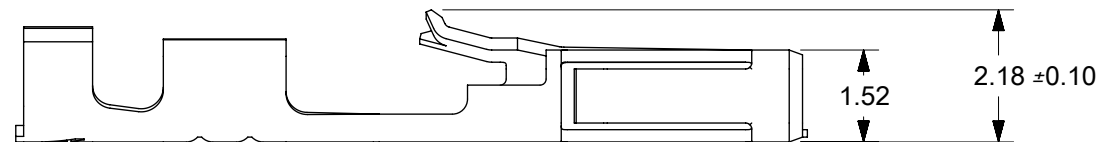
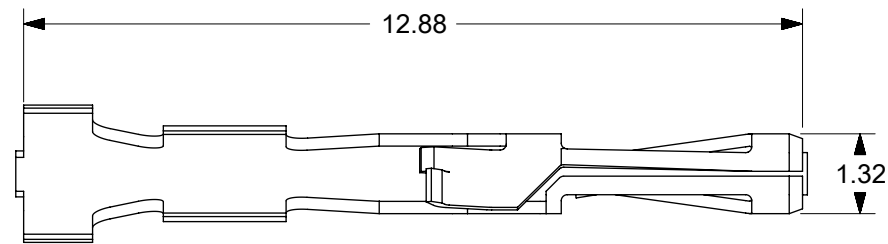
NOTES:

1. MATERIAL: PHOSPHOR BRONZE
2. PLATING:  
 124 = SELECT BRIGHT TIN: 3.75 MICROMETERS MIN OVER NICKEL  
 207 = SELECT HARD GOLD: 0.38 MICROMETERS MIN.  
       SELECT TIN: 2.0 MICROMETERS MIN BOTH OVER NICKEL  
 206 = SELECT HARD GOLD: 0.75 MICROMETERS MIN.  
       SELECT TIN: 2.0 MICROMETERS MIN BOTH OVER NICKEL  
 P124 = PREPLATED OVERALL BRIGHT TIN: 3.75 MICROMETERS MIN OVER NICKEL  
       (MAY HAVE UNPLATED EDGES)
3. PRODUCT SPECIFICATION: TERMINALS CONFORM TO PS-70058 AND PS-70400 WHEN CRIMPED WITH MOLEX CRIMP TOOLS.
4. COSMETIC SPECIFICATION: PS-45499-002 CLASS B
5. TERMINAL FOR USE WITH HOUSING SERIES 70066 AND 70450
6. WIRE SPECIFICATION: TERMINALS STAMPED WITH THE LETTER:  
 A = ACCEPTS 24-30 AWG STRANDED WIRE WITH A 1.52 MAX INSULATION DIA  
 B = ACCEPTS 32-36 AWG STRANDED WIRE WITH A 0.64 MAX INSULATION DIA.  
 C = ACCEPTS 22-24 AWG STRANDED WIRE WITH A 1.63 MAX INSULATION DIA

TERMINALS ON THIS SHEET ARE FOR USE WITH 32-36 AWG WIRE. SEE SHEETS 1 AND 3 FOR OTHER WIRE SIZES

MATERIAL NO:	PACKAGING	PLATING SEE NOTE 2	WIRE SIZE	MAX INSULATION DIA
70058-1084	REEL	124 SELECT TIN	32 - 36 AWG	0.64 DIA MAX
70058-1099	LOOSE			
70058-0084	REEL	P124 OVERALL TIN		
70058-0099	LOOSE			
70058-0074	REEL	207 0.38 GOLD		
70058-0100	LOOSE			
70058-0085	REEL	206 0.75 GOLD		
70058-0101	LOOSE			

SYMBOLS	THIS DRAWING CONTAINS INFORMATION THAT IS PROPRIETARY TO MOLEX ELECTRONIC TECHNOLOGIES, LLC AND SHOULD NOT BE USED WITHOUT WRITTEN PERMISSION		
	DIMENSION UNITS	SCALE	CURRENT REV DESC: DEL ORIG PART NOS
▽ = 0	mm	8:1	<b>molex</b>  SL CRIMP TERMINAL <b>(32-36 AWG WIRE)</b>  PRODUCT CUSTOMER DRAWING
▽ = 0	GENERAL TOLERANCES (UNLESS SPECIFIED)		
▽ = 0	ANGULAR TOL ± °	EC NO: 600955	
▽ = 0	4 PLACES ±	DRWN: KSAMIEC 2018/07/03	
▽ = 0	3 PLACES ±	CHK'D: FSMITH 2018/08/27	
▽ = 0	2 PLACES ± 0.25	APPR: FSMITH 2018/08/27	
▽ = 0	1 PLACE ± 0.15	INITIAL REVISION:	
▽ = 0	0 PLACES ± 0.0	DRWN: KSAMIEC 2017/05/03	
▽ = 0	DRAFT WHERE APPLICABLE MUST REMAIN WITHIN DIMENSIONS	APPR: FSMITH 2017/06/16	
THIRD ANGLE PROJECTION	DRAWING	SERIES	DOCUMENT NUMBER
THIRD ANGLE PROJECTION	B-SIZE	70058	700580000-SD
			DOC TYPE
			PSD
			DOC PART
			000
			REVISION
			A4
			MATERIAL NUMBER
			SEE CHART
			CUSTOMER
			GENERAL MARKET
			SHEET NUMBER
			2 OF 4



TERMINALS STAMPED WITH THE LETTER "C"  
ACCEPT 22-24 AWG WIRE WITH A 1.63 MAX INSULATION DIA

NOTES:

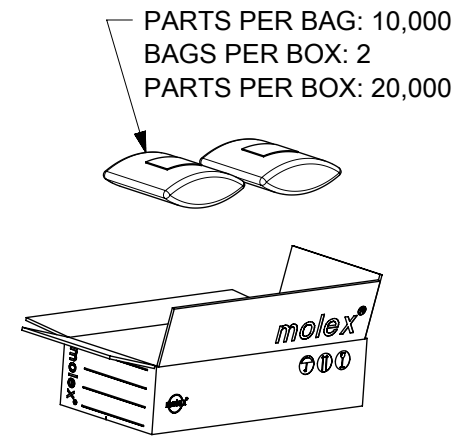
- MATERIAL: PHOSPHOR BRONZE
- PLATING:
  - 124 = SELECT BRIGHT TIN: 3.75 MICROMETERS MIN OVER NICKEL
  - 207 = SELECT HARD GOLD: 0.38 MICROMETERS MIN.  
SELECT TIN: 2.0 MICROMETERS MIN BOTH OVER NICKEL
  - 206 = SELECT HARD GOLD: 0.75 MICROMETERS MIN.  
SELECT TIN: 2.0 MICROMETERS MIN BOTH OVER NICKEL
  - P124 = PREPLATED OVERALL BRIGHT TIN: 3.75 MICROMETERS MIN OVER NICKEL  
(MAY HAVE UNPLATED EDGES)
- PRODUCT SPECIFICATION: TERMINALS CONFORM TO PS-70058 AND PS-70400 WHEN CRIMPED WITH MOLEX CRIMP TOOLS.
- COSMETIC SPECIFICATION: PS-45499-002 CLASS B
- TERMINAL FOR USE WITH HOUSING SERIES 70066 AND 70450
- WIRE SPECIFICATION: TERMINALS STAMPED WITH THE LETTER:
  - A = ACCEPTS 24-30 AWG STRANDED WIRE WITH A 1.52 MAX INSULATION DIA
  - B = ACCEPTS 32-36 AWG STRANDED WIRE WITH A 0.64 MAX INSULATION DIA.
  - C = ACCEPTS 22-24 AWG STRANDED WIRE WITH A 1.63 MAX INSULATION DIA

TERMINALS ON THIS SHEET ARE FOR USE  
WITH 22-24 AWG WIRE.  
SEE SHEETS 1 AND 2 FOR OTHER WIRE SIZES

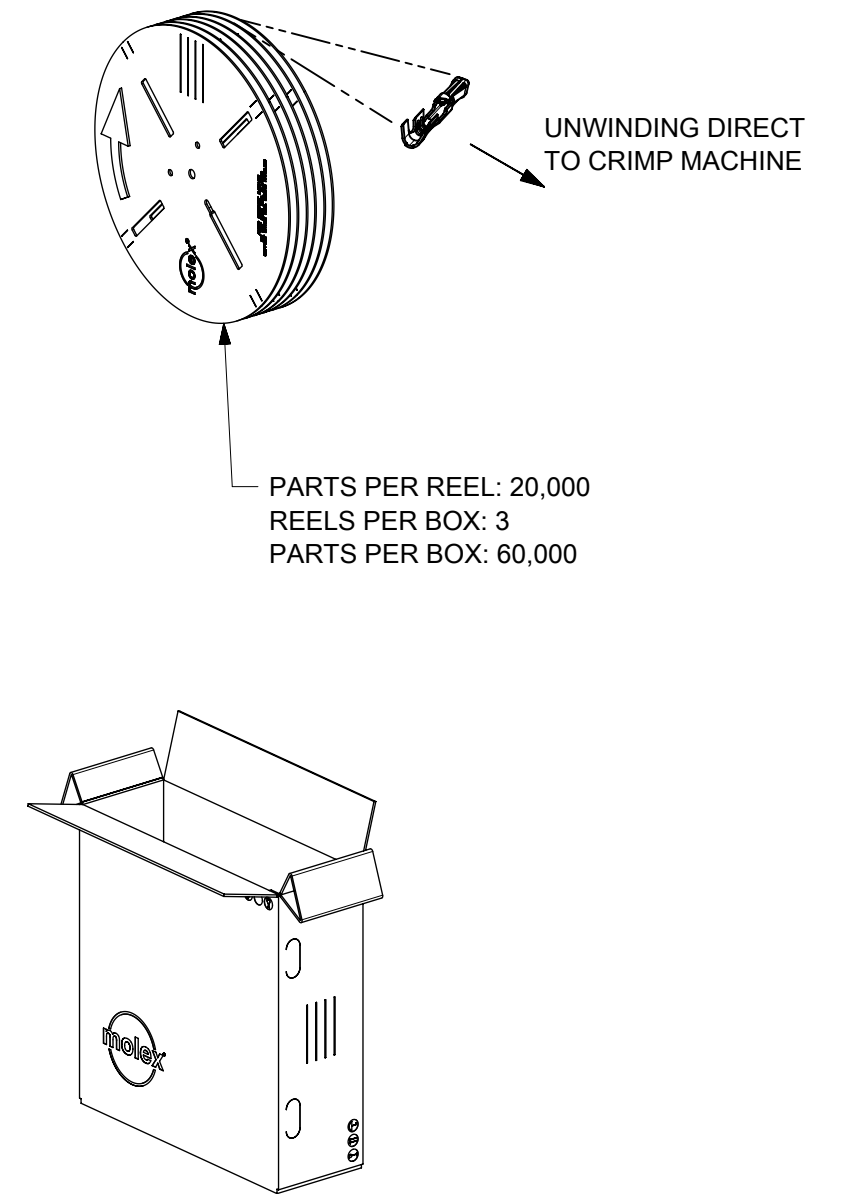
MATERIAL NO:	PACKAGING	PLATING SEE NOTE 2	WIRE SIZE	MAX INSULATION DIA
70058-1086	REEL	124 SELECT TIN	22-24 AWG	1.63 DIA MAX
70058-1102	LOOSE			
70058-0086	REEL	P124 OVERALL TIN		
70058-0102	LOOSE			
70058-0087	REEL	207 0.38 GOLD		
70058-0103	LOOSE			
70058-0088	REEL	206 0.75 GOLD		
70058-0104	LOOSE			

THIS DRAWING CONTAINS INFORMATION THAT IS PROPRIETARY TO MOLEX ELECTRONIC TECHNOLOGIES, LLC AND SHOULD NOT BE USED WITHOUT WRITTEN PERMISSION									
SYMBOLS	DIMENSION UNITS	SCALE	CURRENT REV DESC: DEL ORIG PART NOS						
	mm	8:1	<b>molex</b> SL CRIMP TERMINAL (22-24 AWG WIRE) PRODUCT CUSTOMER DRAWING						
▽ = 0	GENERAL TOLERANCES (UNLESS SPECIFIED)								
▽ = 0	ANGULAR TOL ± °		DRWN: KSAMIEC	2018/07/03	2018/08/27	2018/08/27	2017/05/03	2017/06/16	2017/06/16
▽ = 0	4 PLACES ±		CHK'D: FSMITH	2018/07/03	2018/08/27	2018/08/27	2017/05/03	2017/06/16	2017/06/16
▽ = 0	3 PLACES ±		APPR: FSMITH	2018/07/03	2018/08/27	2018/08/27	2017/05/03	2017/06/16	2017/06/16
▽ = 0	2 PLACES ± 0.25		INITIAL REVISION:			DOCUMENT NUMBER			
▽ = 0	1 PLACE ± 0.15		DRWN: KSAMIEC			700580000-SD			
▽ = 0	0 PLACES ± 0.0		APPR: FSMITH			PSD 000 A4			
■ = 0	DRAFT WHERE APPLICABLE MUST REMAIN WITHIN DIMENSIONS		THIRD ANGLE PROJECTION	DRAWING	SERIES	MATERIAL NUMBER	CUSTOMER	SHEET NUMBER	
▽ = 0				B-SIZE	70058	SEE CHART	GENERAL MARKET	3 OF 4	

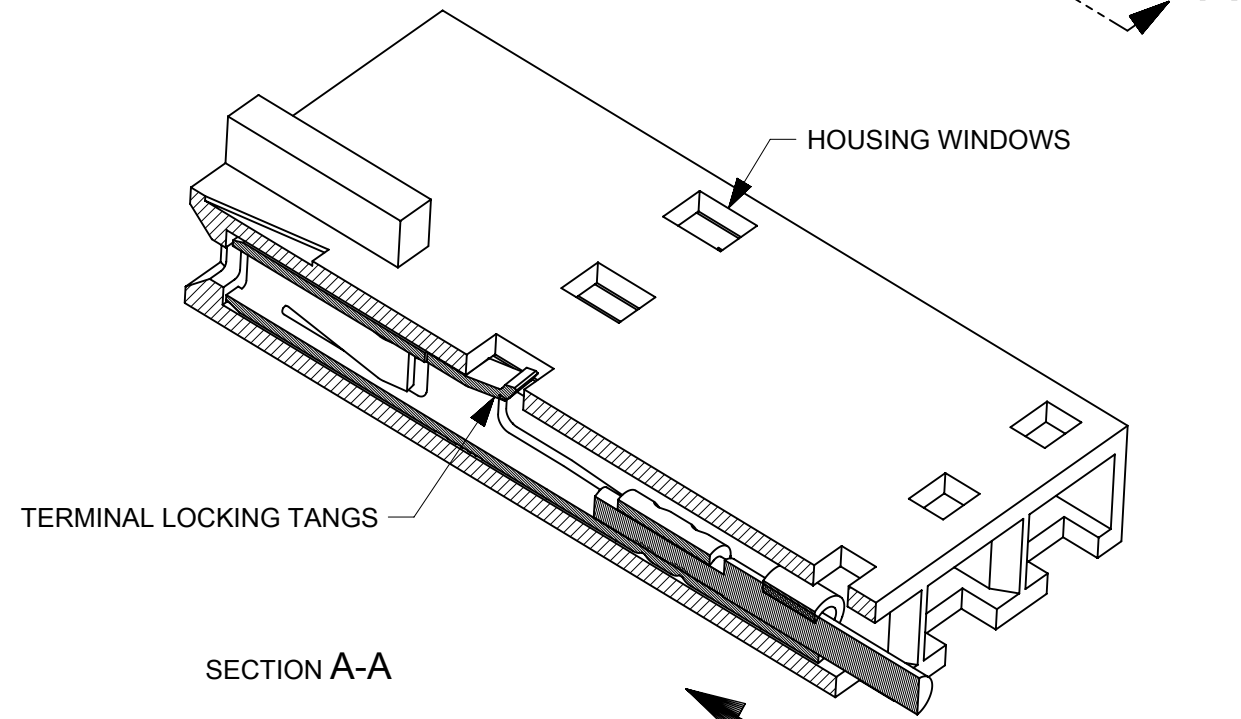
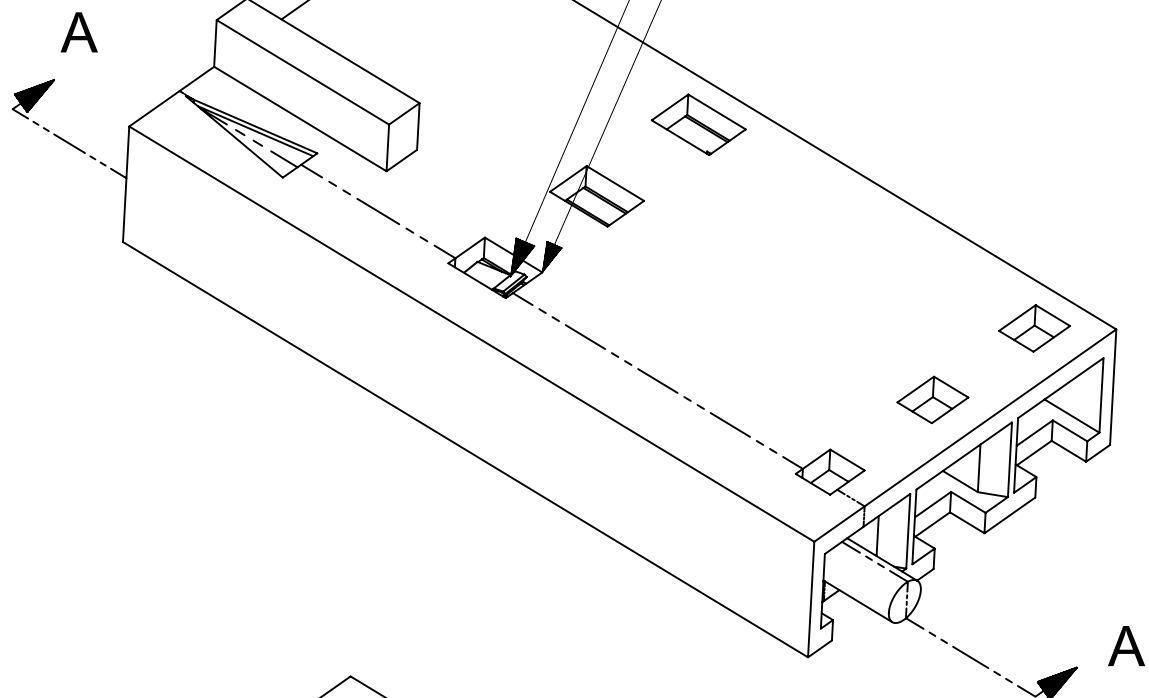
### LOOSE PACKED



### REEL PACKED



WHEN TERMINALS ARE FULLY INSERTED INTO THE HOUSINGS. THE TERMINAL'S LOCKING TANG SHOULD BE VISABLE IN THE HOUSING'S WINDOWS



CRIMPED TERMINALS SHOULD BE INSERTED INTO THE HOUSING IN THIS DIRECTION WITH THE LOCKING TANGS FACING UP TOWARD THE HOUSING WINDOWS

THIS DRAWING CONTAINS INFORMATION THAT IS PROPRIETARY TO MOLEX ELECTRONIC TECHNOLOGIES, LLC AND SHOULD NOT BE USED WITHOUT WRITTEN PERMISSION									
SYMBOLS	DIMENSION UNITS	SCALE	CURRENT REV DESC: DEL ORIG PART NOS				<b>molex</b>		
	mm	1:15							
▽ = 0	GENERAL TOLERANCES (UNLESS SPECIFIED)		EC NO: 600955				SL CRIMP TERMINAL		
▽ = 0	ANGULAR TOL ± °		DRWN: KSAMIEC 2018/07/03						
▽ = 0	4 PLACES ±		CHK'D: FSMITH 2018/08/27				PRODUCT CUSTOMER DRAWING		
▽ = 0	3 PLACES ±		APPR: FSMITH 2018/08/27						
▽ = 0	2 PLACES ± 0.25		INITIAL REVISION:				DOCUMENT NUMBER		
▽ = 0	1 PLACE ± 0.15		DRWN: KSAMIEC 2017/05/03						
▽ = 0	0 PLACES ± 0.0		APPR: FSMITH 2017/06/16				PSD 000 A4		
■ = 0	DRAFT WHERE APPLICABLE MUST REMAIN WITHIN DIMENSIONS		THIRD ANGLE PROJECTION	DRAWING	SERIES	MATERIAL NUMBER			
▽ = 0				B-SIZE	70058	SEE CHART	GENERAL MARKET	4 OF 4	