

MATERIALS AND FINISHES

BODY, OUTER CONTACT, WASHER, RETAINING RING BRASS
PLATED NICKEL

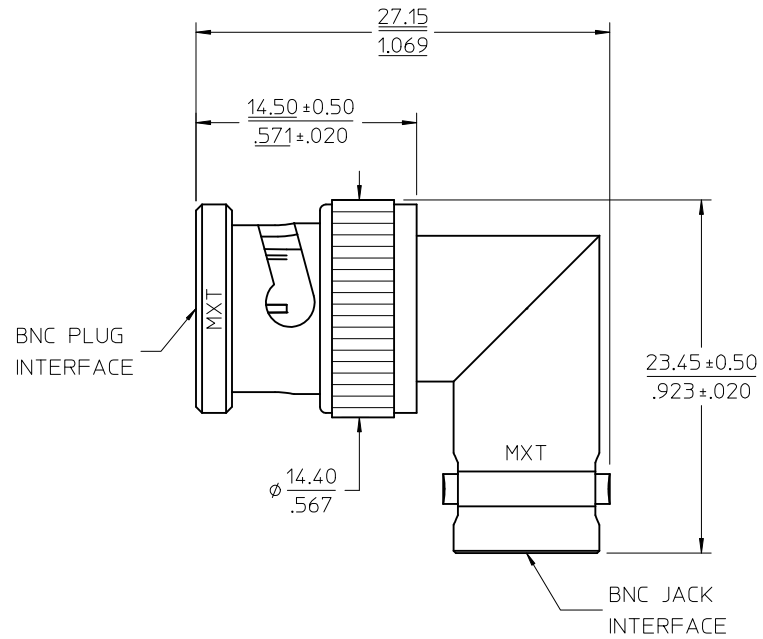
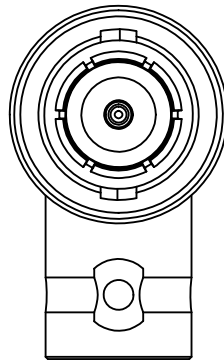
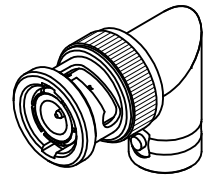
CENTER CONTACT (PLUG)-BRASS, (JACK)-PHOSPHOR BRONZE
PLATED SILVER

INSULATOR POLYPROPYLENE

COUPLING NUT ZINC ALLOY
PLATED NICKEL

GASKET SILICONE RUBBER

SPRING WASHER BERYLLIUM COPPER



PS-73598-0122	ELEC/MECH SPECIFICATION
ES-73599-0000	INTERFACE PLUG & JACK SPECIFICATION
	DESCRIPTION

73171-3140	73151-5001, ONE PER BAG
73151-5001	BULK
PART NO.	PACKAGING

CHG: UPDATED VIEW PER RF12-E016 IEC NO: URF2012-0131 DRWNR: YEH CHKD: APPR: HUANG 2011/09/13 2011/10/03	DESCRIPTION B4	QUALITY SYMBOLS ▼=0 ▽=0	GENERAL TOLERANCES (UNLESS SPECIFIED) mm INCH 4 PLACES ± --- ± --- 3 PLACES ± --- ± --- 2 PLACES ± --- ± --- 1 PLACE ± --- ± --- ANGULAR ± 2 °	DIMENSION STYLE MM/IN DRAWN BY IRIS WANG DATE 1991/01/21 CHECKED BY KERRIE DATE 2011/09/13 APPROVED BY DATE	SCALE DESIGN UNITS METRIC THIRD ANGLE PROJECTION	TITLE BNC JACK TO PLUG R/A ADAPTER
		DRAFT WHERE APPLICABLE MUST REMAIN WITHIN DIMENSIONS	MATERIAL NO. SEE TABLE	DOCUMENT NO. SD-73151-5001	SHEET NO. 1 OF 1	
		MOLEX INCORPORATED				
		THIS DRAWING CONTAINS INFORMATION THAT IS PROPRIETARY TO MOLEX INCORPORATED AND SHOULD NOT BE USED WITHOUT WRITTEN PERMISSION				

MATERIALS AND FINISHES

SEE SD-73151-5001

P/N: 73171-3140: THIS IS P/N: 73151-5001 PLACED IN A SINGLE BAG

CHG: NEW RELEASE

EC NO: URF2007-0396
DRW: TELAHERTY 2007/05/01
CHKD: SHAH 2007/05/01
APPR: WIENER 2007/05/01

DESCRIPTION

QUALITY SYMBOLS
▽=0
▽=0

GENERAL TOLERANCES (UNLESS SPECIFIED)

	mm	INCH
4 PLACES	± .---	± .---
3 PLACES	± .---	± .---
2 PLACES	± .---	± .---
1 PLACE	± .---	± .---
ANGULAR ± .---°		

DRAFT WHERE APPLICABLE MUST REMAIN WITHIN DIMENSIONS

DIMENSION STYLE
MM/IN

DRAWN BY	DATE
TEF	2007/03/22
CHECKED BY	DATE
SSS	2007/03/22
APPROVED BY	DATE
JDW	2007/03/22

MATERIAL NO. **731713140**

SCALE
DESIGN UNITS
METRIC

THIRD ANGLE PROJECTION

TITLE
BNC JACK TO BNC PLUG ADAPTER 50 OHMS BNC-JP/AD

MOLEX INCORPORATED

DOCUMENT NO. **SD-73171-314**

SHEET NO. **1 OF 1**

THIS DRAWING CONTAINS INFORMATION THAT IS PROPRIETARY TO MOLEX INCORPORATED AND SHOULD NOT BE USED WITHOUT WRITTEN PERMISSION