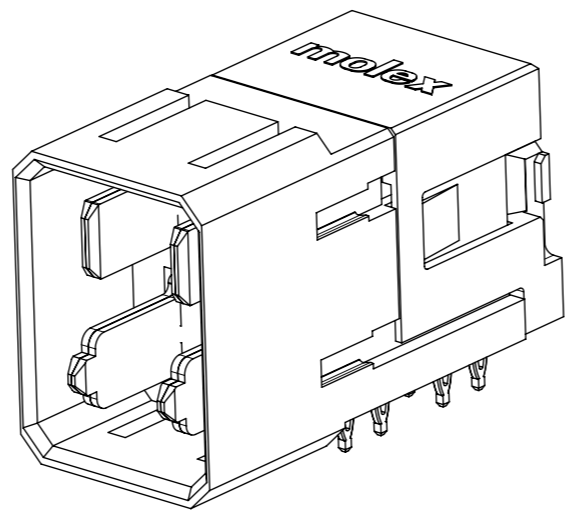
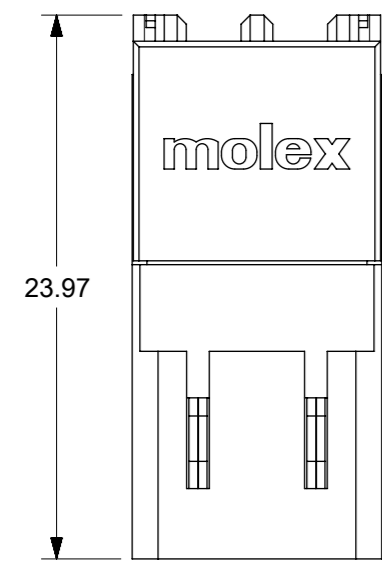


E

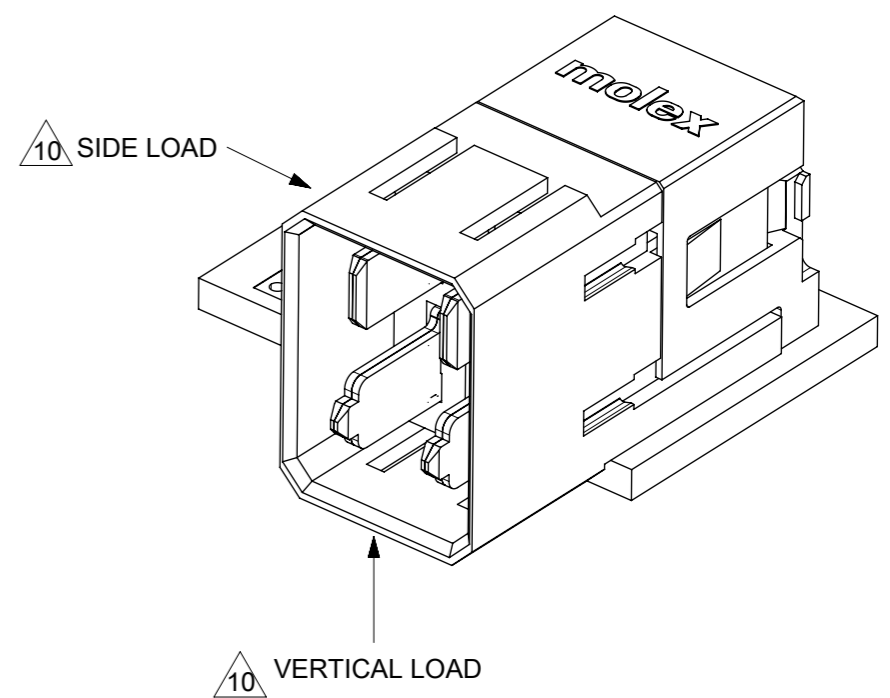
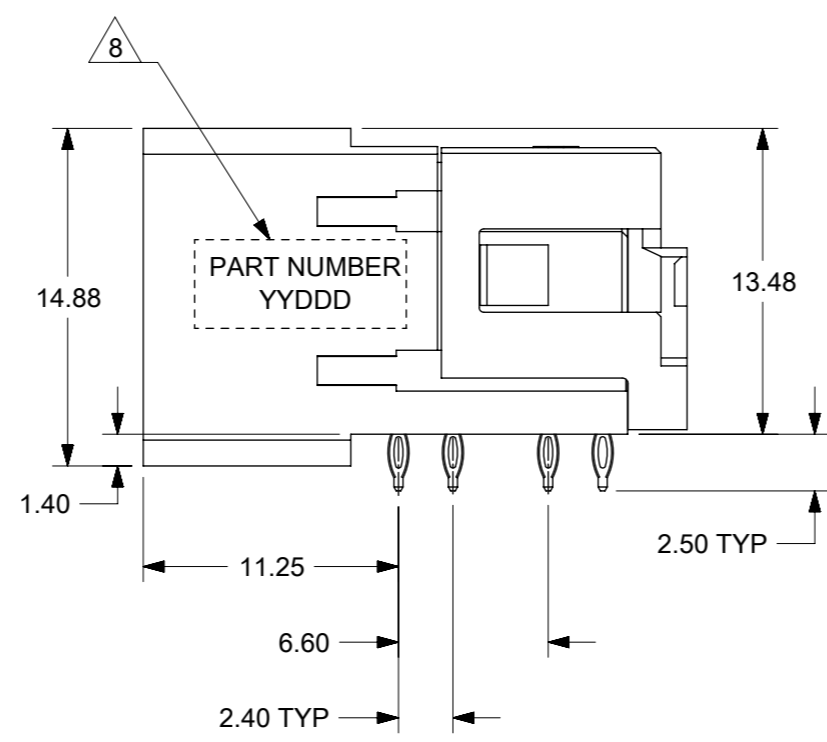
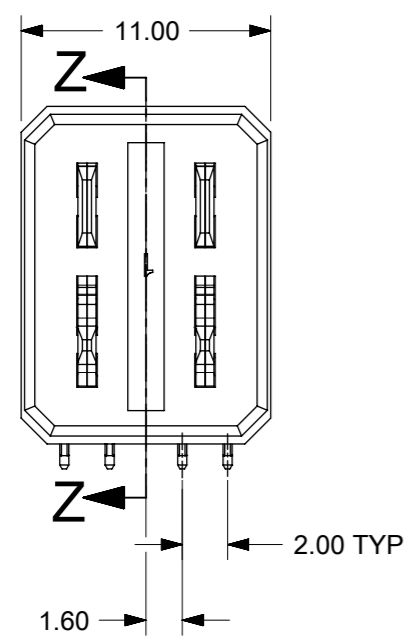


NOTES:

1. MATERIAL:
HOUSING - LCP, GLASS FILLED, UL94-V0, COLOR: BLACK
POWER PIN - COPPER ALLOY
2. FINISHES OPTION:
TIN - 0.76µm MINIMUM GOLD AT CONTACT AND
2.54µm MINIMUM TIN AT SOLDER TAIL AREA OVER
1.27µm MINIMUM NICKEL UNDERPLATE OVERALL.
3. PRODUCT SPECIFICATION: PS-78213-001.
4. PACKAGING SPECIFICATION: PK-78211-001.
5. MATES WITH 78247-**** & 78212-****.
6. REFER SHEET 3 FOR RECOMMENDED PCB LAYOUT.
7. REFER TO MOLEX PRODUCT SPECIFICATION PS-78213-001 FOR PLATED THROUGH-HOLE SPECIFICATIONS.
8. PART NUMBER AND DATE CODE (YYDDD) APPROXIMATELY SHOWN.
9. KEEP OUT ZONE FROM OTHER COMPONENTS.
10. CONNECTOR-TO-PCB RETENTION FORCE SHALL WITHSTAND VERTICAL LOAD OF 1.5KGF AND SIDE LOAD OF 3KGF MAXIMUM RESPECTIVELY. FOR APPLICATION THAT REQUIRES MORE CONNECTOR-TO-PCB RETENTION FORCE, PLEASE CONTACT MOLEX SALES TECHNICAL PERSONNEL FOR RECOMMENDATION.

D

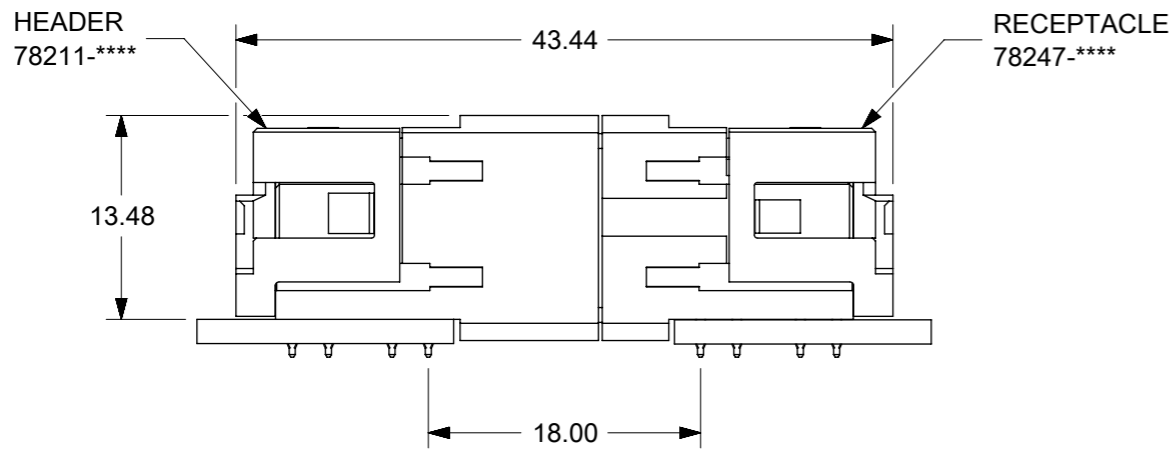
C



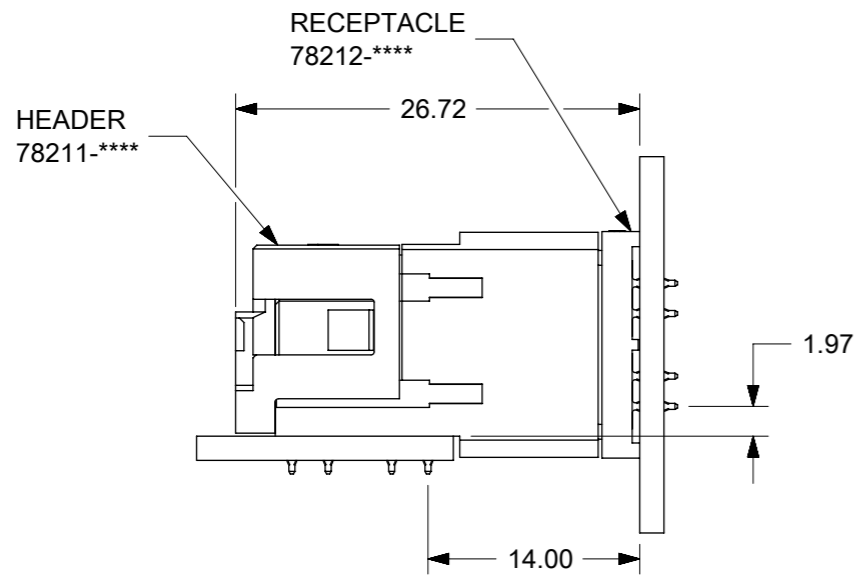
B

A

THIS DRAWING CONTAINS INFORMATION THAT IS PROPRIETARY TO MOLEX ELECTRONIC TECHNOLOGIES, LLC AND SHOULD NOT BE USED WITHOUT WRITTEN PERMISSION											
DIMENSION UNITS		SCALE		CURRENT REV DESC: MIGRATED TO NX						molex	
mm		NTS									
GENERAL TOLERANCES (UNLESS SPECIFIED)				EC NO: 612508						IMPACT POWER, 3 PAIR RIGHT ANGLE HEADER PRESS-FIT	
ANGULAR TOL ± 3.0 °				DRWN: NMUTHARAYAPP 2019/02/06						PRODUCT CUSTOMER DRAWING	
4 PLACES ±				CHK'D: ABN 2019/03/12						DOCUMENT NUMBER	
3 PLACES ±				APPR: CWANG25 2019/03/13						SD-78211-002	
2 PLACES ± 0.25				INITIAL REVISION:						DOC TYPE	
1 PLACE ±				DRWN: LNG 2007/12/11						DOC PART	
0 PLACES ±				APPR: SHONG 2007/12/12						REVISION	
DRAFT WHERE APPLICABLE MUST REMAIN WITHIN DIMENSIONS				THIRD ANGLE PROJECTION		DRAWING		SERIES		MATERIAL NUMBER	
				A3-SIZE		78211		CUSTOMER		SHEET NUMBER	
				SEE TABLE		GENERAL MARKET		1 OF 3			

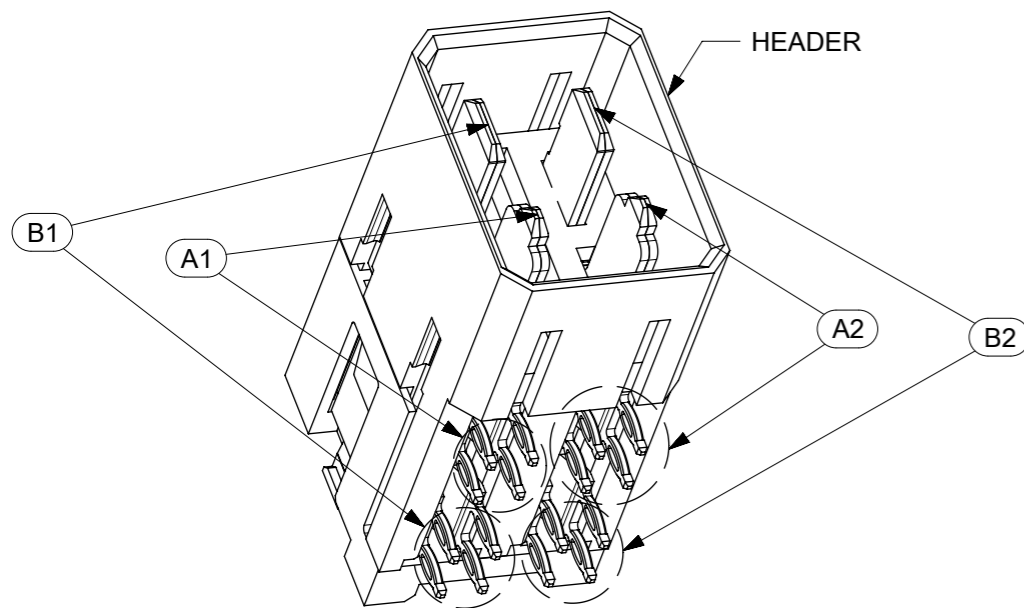


RIGHT ANGLE HEADER (78211) & RIGHT ANGLE RECEPTACLE (78247)

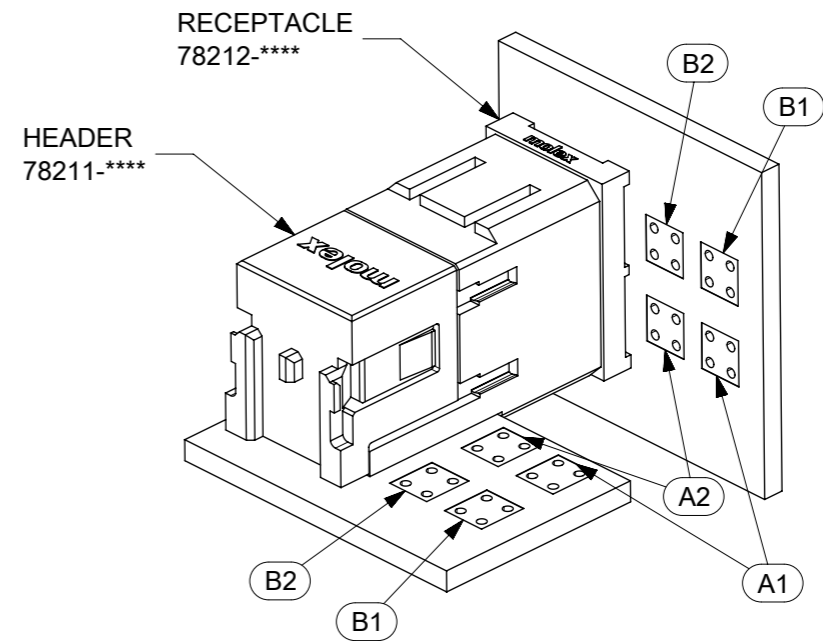
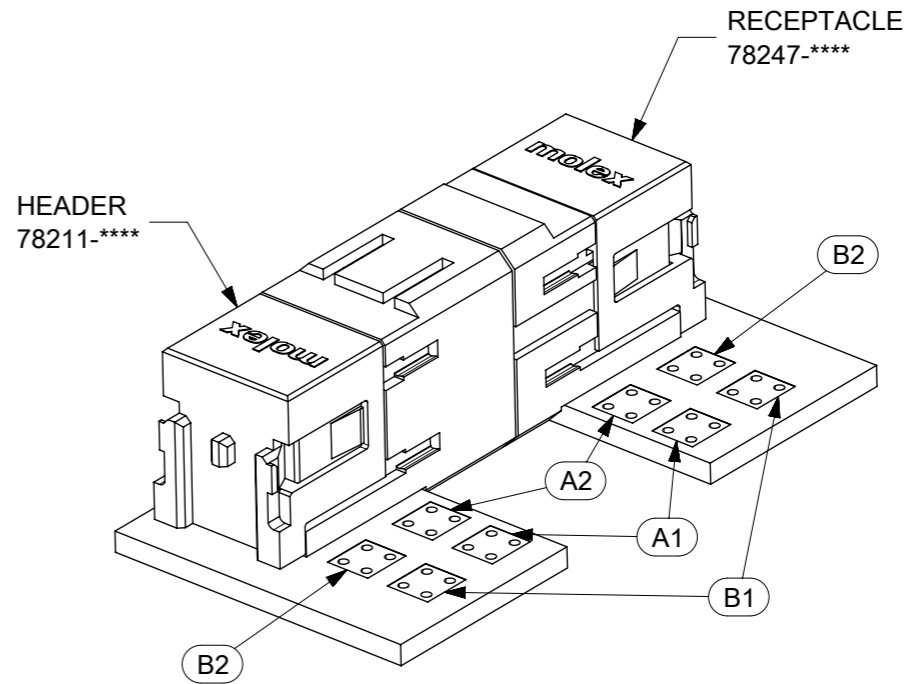


RIGHT ANGLE HEADER (78211) & VERTICAL RECEPTACLE (78212)

5 MATED SYSTEM OPTIONS WITH 78211



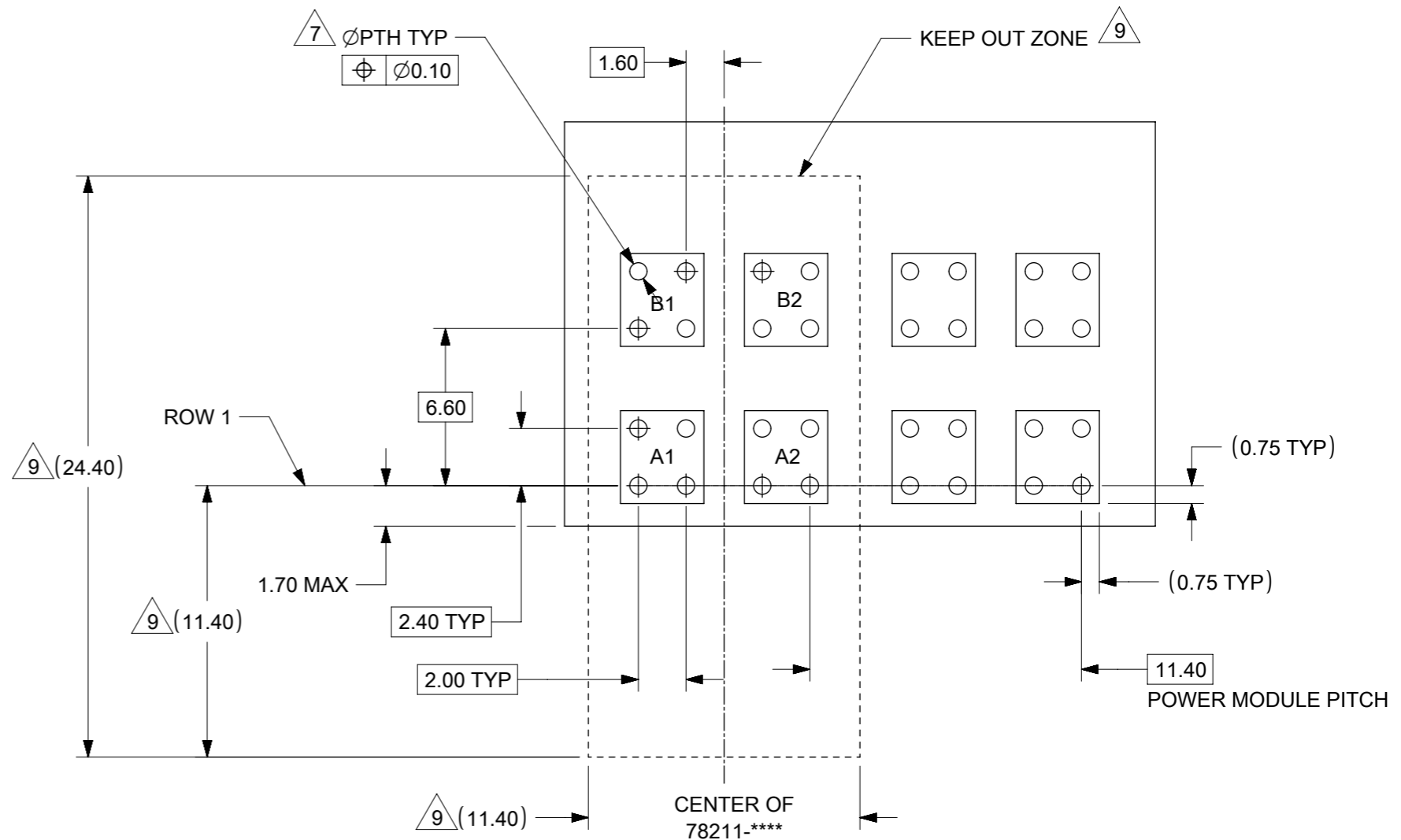
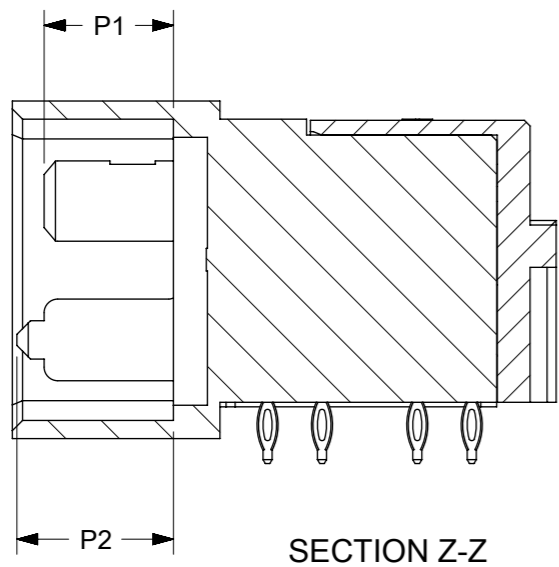
PIN NUMBER ASSIGNMENT FOR CIRCUIT PATH ON MATED SYSTEM IS BASED ON HEADER SIDE:
A1, B1 ON THE LEFT,
A2, B2 ON THE RIGHT.



CIRCUIT PATH OF MATED SYSTEM

THIS DRAWING CONTAINS INFORMATION THAT IS PROPRIETARY TO MOLEX ELECTRONIC TECHNOLOGIES, LLC AND SHOULD NOT BE USED WITHOUT WRITTEN PERMISSION		CURRENT REV DESC: MIGRATED TO NX		molex	
DIMENSION UNITS	SCALE				
mm	NTS			IMPACT POWER, 3 PAIR RIGHT ANGLE HEADER PRESS-FIT	
GENERAL TOLERANCES (UNLESS SPECIFIED)		EC NO: 612508		PRODUCT CUSTOMER DRAWING	
ANGULAR TOL	± 3.0 °	DRWN: NMUTHARAYAPP	2019/02/06	DOCUMENT NUMBER	DOC TYPE DOC PART REVISION
4 PLACES	±	CHK'D: ABN	2019/03/12	SD-78211-002	PSD 001 A5
3 PLACES	±	APPR: CWANG25	2019/03/13		
2 PLACES	± 0.25	INITIAL REVISION:		MATERIAL NUMBER	CUSTOMER
1 PLACE	±	DRWN: LNG	2007/12/11	SEE TABLE	GENERAL MARKET
0 PLACES	±	APPR: SHONG	2007/12/12		
DRAFT WHERE APPLICABLE MUST REMAIN WITHIN DIMENSIONS	THIRD ANGLE PROJECTION	DRAWING	SERIES	SHEET NUMBER	
		A3-SIZE	78211	2 OF 3	

PART NUMBER	P1 (APPLIES TO B1 & B2)	P2 (APPLIES TO A1 & A2)	PLATING OPTIONS	PACKAGING
78211-1011	6.90	6.90	TIN PLATING	TRAY
78211-1022	5.70	5.70		
78211-1033	6.90	5.70		
78211-1044	5.70	6.90		



RECOMMENDED PCB LAYOUT
(COMPONENT SIDE SHOWN)
MINIMUM BOARD THICKNESS: 1.60mm

THIS DRAWING CONTAINS INFORMATION THAT IS PROPRIETARY TO MOLEX ELECTRONIC TECHNOLOGIES, LLC AND SHOULD NOT BE USED WITHOUT WRITTEN PERMISSION		CURRENT REV DESC: MIGRATED TO NX		molex	
DIMENSION UNITS	SCALE				
mm	NTS			IMPACT POWER, 3 PAIR RIGHT ANGLE HEADER PRESS-FIT	
GENERAL TOLERANCES (UNLESS SPECIFIED)		EC NO: 612508		PRODUCT CUSTOMER DRAWING	
ANGULAR TOL	± 3.0 °	DRWN: NMUTHARAYAPP	2019/02/06	DOCUMENT NUMBER	
4 PLACES	±	CHK'D: ABN	2019/03/12	SD-78211-002	
3 PLACES	±	APPR: CWANG25	2019/03/13	DOC TYPE	DOC PART
2 PLACES	± 0.25	INITIAL REVISION:		PSD	001
1 PLACE	±	DRWN: LNG	2007/12/11	REVISION	
0 PLACES	±	APPR: SHONG	2007/12/12	A5	
DRAFT WHERE APPLICABLE MUST REMAIN WITHIN DIMENSIONS		THIRD ANGLE PROJECTION	DRAWING	SERIES	MATERIAL NUMBER
			A3-SIZE	78211	SEE TABLE
		CUSTOMER	SHEET NUMBER		
		GENERAL MARKET	3 OF 3		

DOCUMENT STATUS	P1	RELEASE DATE	2019/03/13	10:32:41
-----------------	----	--------------	------------	----------