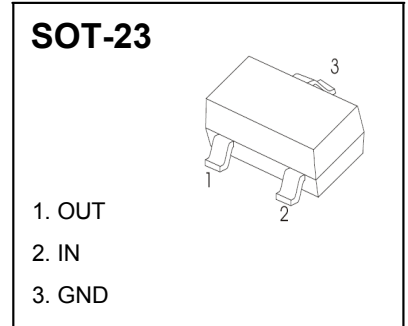


## SOT-23 Plastic-Encapsulate Three-terminal positive voltage regulator

### FEATURES

- Maximum output current  $I_O$ : 0.1 A
- Output voltage  $V_O$ : 5 V
- Continuous total dissipation  
 $P_D$ : SOT-23 0.35 W ( $T_a = 25^\circ\text{C}$ )



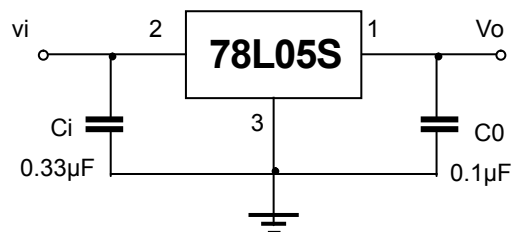
### ABSOLUTE MAXIMUM RATINGS (Operating temperature range applies unless otherwise specified)

Parameter	Symbol	Value	Unit
Input Voltage	$V_I$	30	V
Operating Junction Temperature Range	$T_{OPR}$	0~+125	$^\circ\text{C}$
Storage Temperature Range	$T_{STG}$	-55~+150	$^\circ\text{C}$

### ELECTRICAL CHARACTERISTICS AT SPECIFIED VIRTUAL JUNCTION TEMPERATURE ( $V_i=10V, I_o=40mA, C_i=0.33\mu F, C_o=0.1\mu F$ , unless otherwise specified)

Parameter	mbol	Test conditions	MIN	TYP	MAX	UNIT	
Output voltage	$V_o$	$25^\circ\text{C}$	4.8	5		V	
		0-125 $^\circ\text{C}$	7V $\leq V_i \leq 20V, I_o=1mA \sim 40mA$	4.75	5.0	5.25	V
			$I_o=1mA \sim 70mA$	4.75		5.25	V
Load Regulation	$\Delta V_o$	$I_o=1mA \sim 100mA$		15	60	mV	
		$I_o=1mA \sim 40mA$	$25^\circ\text{C}$		8	30	mV
Line regulation	$\Delta V_o$	7V $\leq V_i \leq 20V$		32	150	mV	
		8V $\leq V_i \leq 20V$	$25^\circ\text{C}$		26	100	mV
Quiescent Current	$I_q$	$25^\circ\text{C}$		3.8	6	mA	
Quiescent Current Change	$\Delta I_q$	$\leq V_i \leq 20V$	0-125 $^\circ\text{C}$		1.5	mA	
	$\Delta I_q$	1 $\leq V_i \leq 40mA$	0-125 $^\circ\text{C}$		0.1	mA	
Output Noise Voltage	$V_N$	10Hz $\leq f \leq 100KHz$	$25^\circ\text{C}$	42		$\mu V$	
Ripple Rejection	RR	8V $\leq V_i \leq 20V, f=120Hz$	0-125 $^\circ\text{C}$	41	4	dB	
Dropout Voltage	$V_d$	$25^\circ\text{C}$		1.7		V	

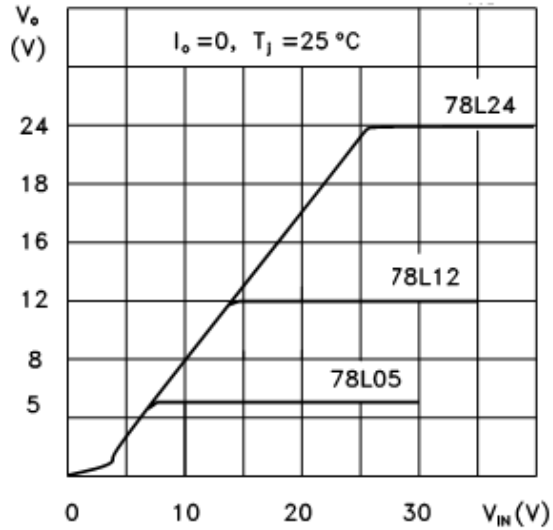
### TYPICAL APPLICATION



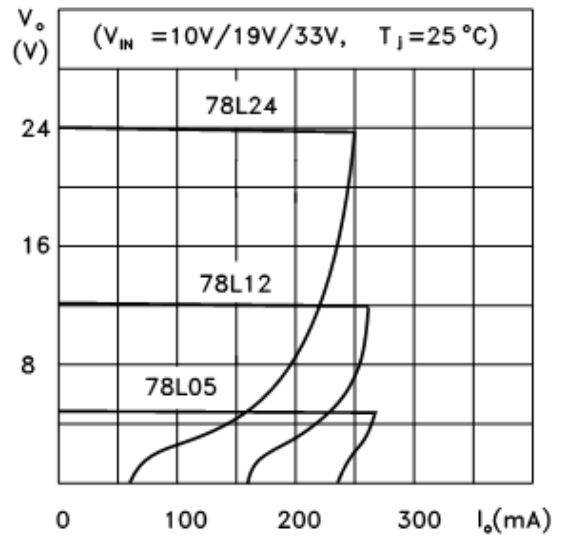
Note: Bypass capacitors are recommended for optimum stability and transient response and should be located as close as Possible to the regulators.

## Typical Characteristics

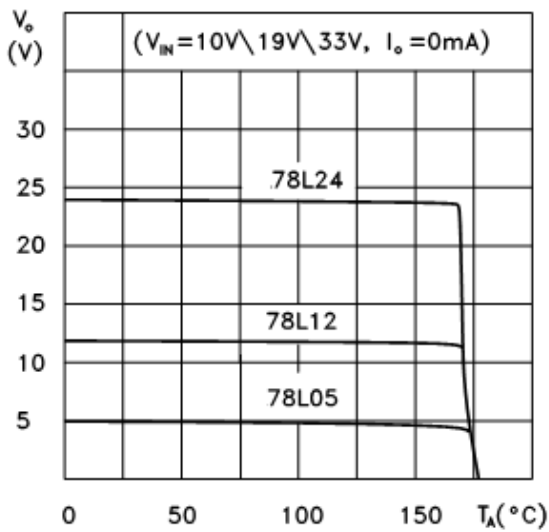
### 78L05/12/24 Output Characteristics



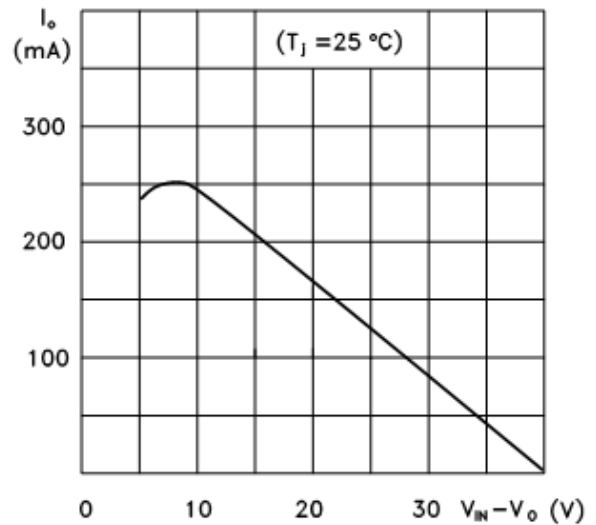
### 78L05/12/24 Load Characteristics



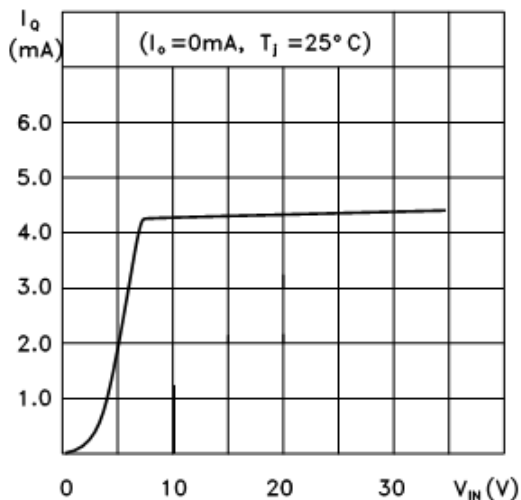
### 78L05/12/24 Thermal Shutdown



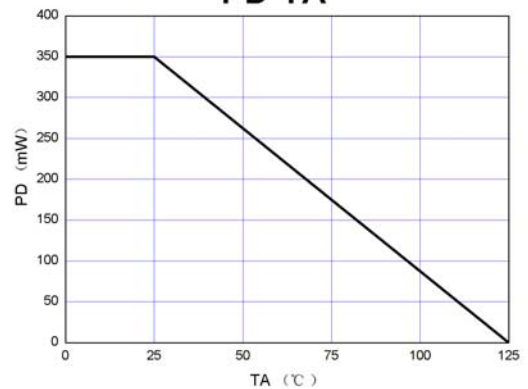
### 78L00 Series Short Circuit Output Current



### 78L05 Quiescent Current vs Input Voltage

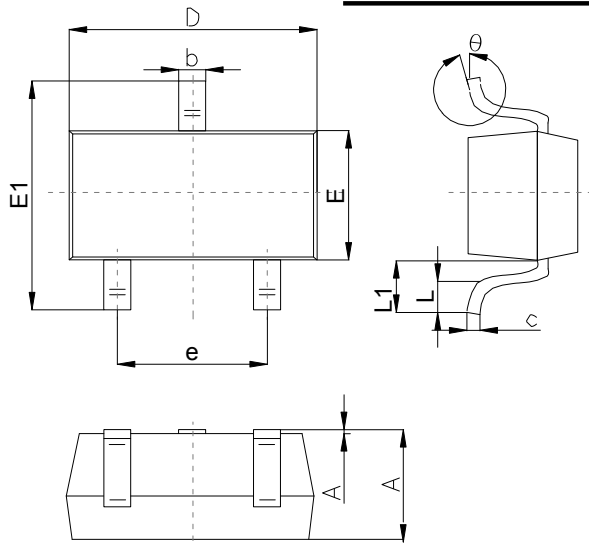


### PD-TA



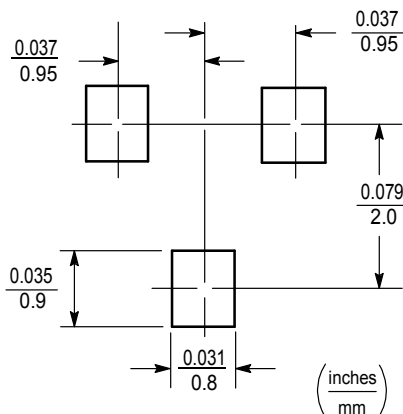
## Outlitne Drawing

### SOT-23 Package Outline Dimensions



Symbol	Dimensions In Millimeters		
	Min	Typ	Max
A	0.90		1.40
A1	0.00		0.10
b	0.30		0.50
c	0.08		0.20
D	2.80	2.90	3.10
E	1.20		1.60
E1	2.25		2.80
e	1.80	1.90	2.00
L	0.10		0.50
L1	0.4		0.55
θ	0°		10°

### Suggested Pad Layout



**Note:**

1. Controlling dimension:in/millimeters.
2. General tolerance:  $\pm 0.05\text{mm}$ .
3. The pad layout is for reference purposes only.

## Important Notice and Disclaimer

Microdiode Electronics (Jiangsu) reserves the right to make changes to this document and its products and specifications at any time without notice. Customers should obtain and confirm the latest product information and specifications before final design,purchase or use.

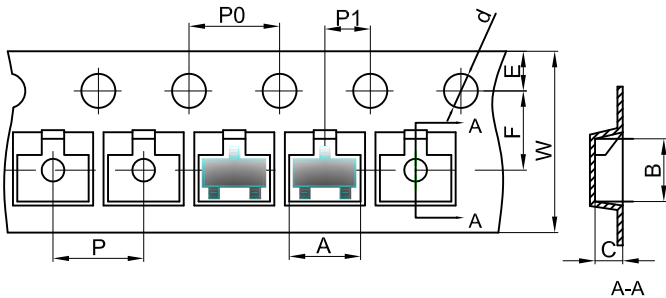
Microdiode Electronics (Jiangsu) makes no warranty, representation or guarantee regarding the suitability of its products for any particular purpose, not does Microdiode Electronics (Jiangsu) assume any liability for application assistance or customer product design. Microdiode Electronics (Jiangsu) does not warrant or accept any liability with products which are purchased or used for any unintended or unauthorized application.

No license is granted by implication or otherwise under any intellectual property rights of Microdiode Electronics (Jiangsu).

Microdiode Electronics (Jiangsu) products are not authorized for use as critical components in life support devices or systems without express written approval of Microdiode Electronics (Jiangsu).

**SOT-23 Tape and Reel**

SOT-23 Embossed Carrier Tape

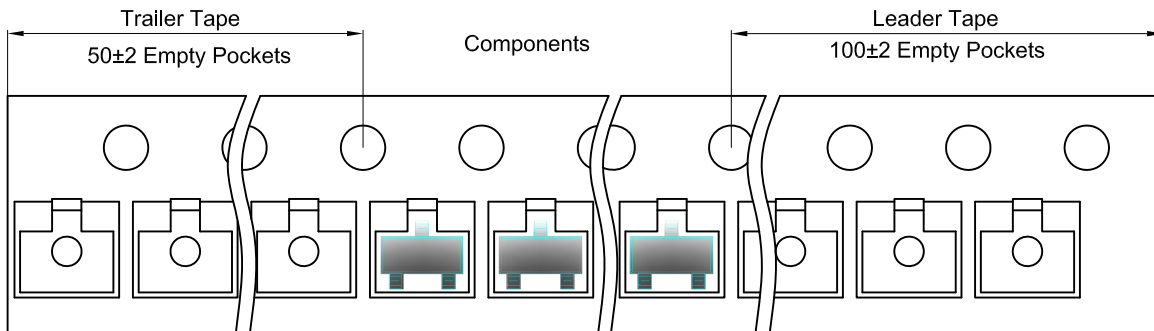


Packaging Description:

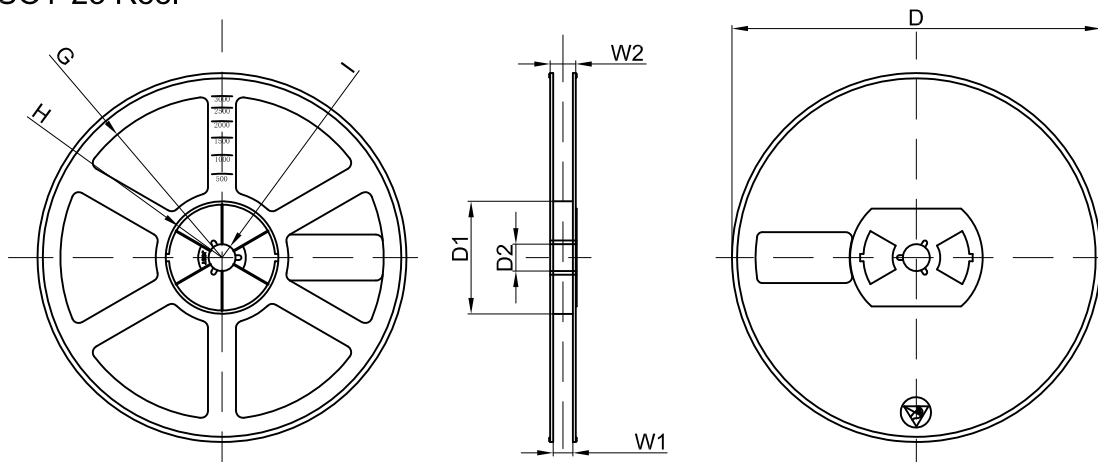
SOT-23 parts are shipped in tape. The carrier tape is made from a dissipative (carbon filled) polycarbonate resin. The cover tape is a multilayer film (Heat Activated Adhesive in nature) primarily composed of polyester film, adhesive layer, sealant, and anti-static sprayed agent. These reeled parts in standard option are shipped with 3,000 units per 7" or 17.8cm diameter reel. The reels are clear in color and is made of polystyrene plastic (anti-static coated).

Dimensions are in millimeter										
Pkg type	A	B	C	d	E	F	P0	P	P1	W
SOT-23	3.15	2.77	1.22	Ø1.50	1.75	3.50	4.00	4.00	2.00	8.00

SOT-23 Tape Leader and Trailer



SOT-23 Reel



Dimensions are in millimeter								
Reel Option	D	D1	D2	G	H	I	W1	W2
7" Dia	Ø178.00	54.40	13.00	R78.00	R25.60	R6.50	9.50	12.30

REEL	Reel Size	Box	Box Size(mm)	Carton	Carton Size(mm)	G.W.(kg)
3000 pcs	7 Inch	45,000 pcs	203×203×195	180,000 pcs	438×438×220	