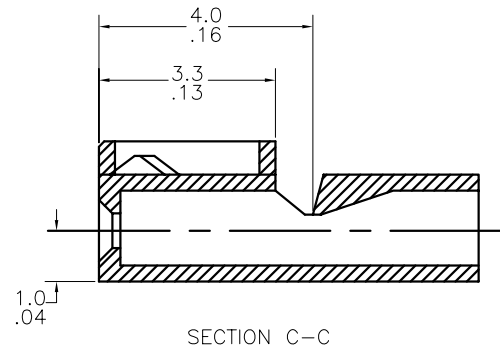
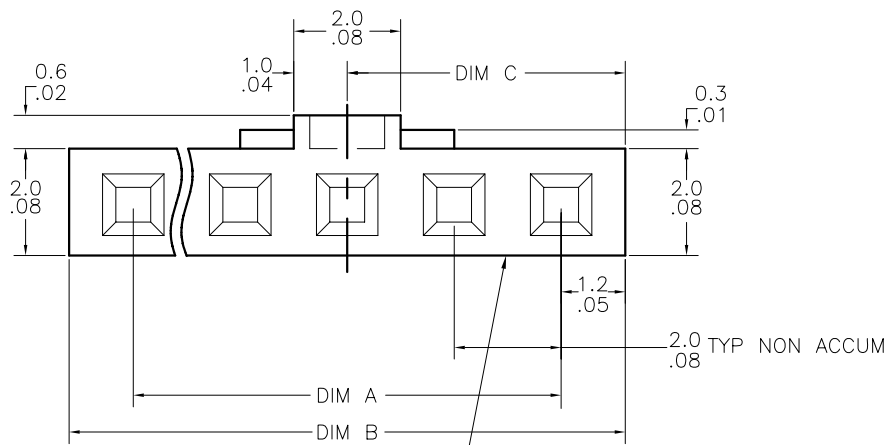
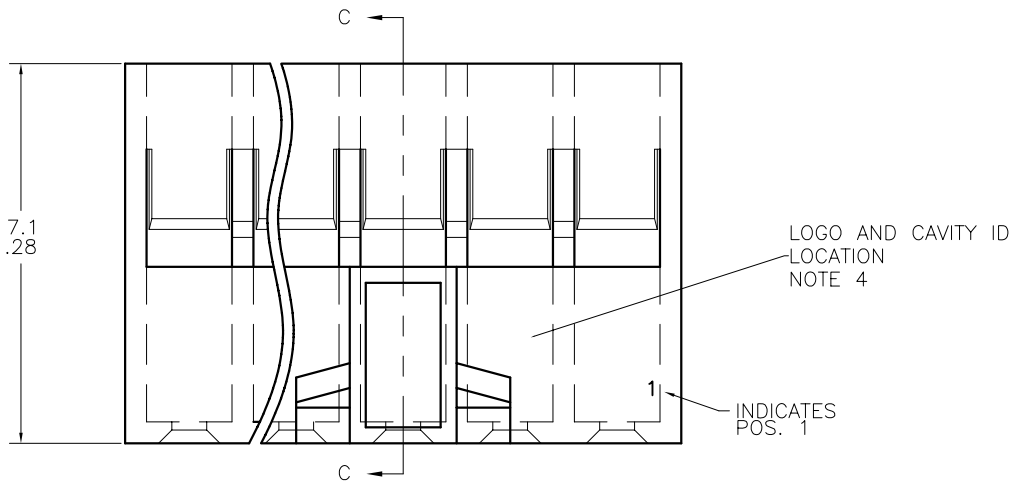


PRODUCT NUMBER  
SEE TABLE



mat'l. code SEE NOTE 1				surface <input checked="" type="checkbox"/> tolerance		projection		product family MINITEK HOUSINGS	
ltr	ecm no	dr	date	tolerances unless otherwise specified		title		MINITEK CTW HSG. SGL ROW POLARIZATION & LATCHING	
R	v08-0392	HTB	2008-09-12	angles	linear	MM/INCH		sheet 1 of 2 size	
-	-	-	-			scale 8:1		A3	
K	v91487	EPK	1999-11-09	0'±2'				90312	
L	v00252	MDF	2000-02-29	dr	D. WHITING	1991-02-15		type Product Customer Drawing	
M	v05-0733	DAI	2005-08-11	engr	S. OLSON	1991-02-15			
N	v06-0516	HTB	2006-06-05	chr	A. RAISTRICK	1991-08-27			
P	v07-0266	HTB	2007-04-02	appd	S. OLSON	1991-08-27			
sheet	revision	R	R						
index	sheet	1	2						



Copyright FCJ

form A3

PRODUCT NUMBER	POSITIONS	DIM A	DIM B	DIM C	LATCHING FEATURES	EQUIVALENT HIGH-TEMP P/N
90312-003LF	1 X 3	4.0/.16	6.4/.25	3.2/.13	2	10087009-003LF
90312-004LF	1 X 4	6.0/.24	8.4/.33	4.2/.17	2	10087009-004LF
90312-005LF	1 X 5	8.0/.32	10.4/.41	5.2/.21	2	10087009-005LF
90312-006LF	1 X 6	10.0/.39	12.4/.49	6.2/.24	2	10087009-006LF
90312-007LF	1 X 7	12.0/.47	14.4/.57	7.2/.28	2	10087009-007LF
90312-008LF	1 X 8	14.0/.55	16.4/.65	8.2/.32	2	10087009-008LF
90312-009LF	1 X 9	16.0/.63	18.4/.72	9.2/.36	2	10087009-009LF
90312-010LF	1 X 10	18.0/.71	20.4/.80	10.2/.40	2	10087009-010LF
90312-011LF	1 X 11	20.0/.79	22.4/.88	11.2/.44	2	10087009-011LF
90312-012LF	1 X 12	22.0/.87	24.4/.96	12.2/.48	2	10087009-012LF
90312-013LF	1 X 13	24.0/.95	26.4/1.04	13.2/.52	2	10087009-013LF
90312-014LF	1 X 14	26.0/1.02	28.4/1.12	14.2/.56	2	10087009-014LF
90312-015LF	1 X 15	28.0/1.10	30.4/1.20	15.2/.60	2	10087009-015LF
90312-016LF	1 X 16	30.0/1.18	32.4/1.28	16.2/.64	2	10087009-016LF
90312-017LF	1 X 17	32.0/1.26	34.4/1.35	17.2/.68	2	10087009-017LF

NOTES:

- ① MATERIAL: UNFILLED FLAME RETARDANT NYLON, FLAME RETARDANT PER UL94V-0, COLOR: BLACK
2. FOR USE WITH MINITEK LATCHING HEADERS WHEN MATING AND UNMATING THE FORCES WILL BE APPROX 1Kg/2.2LBS GREATER THAN THE FORCES DETAILED IN DPS-12-011, PARAGRAPH 3.5 & 3.4.
3. LOGO ON 1 x 5'S AND LARGER.
- ④ LOGO AND CAVITY ID LOCATION TO BE DETERMINED BY MANUFACTURER.
5. PRODUCT MEETS EUROPEAN UNION DIRECTIVES AND OTHER COUNTRY REGULATIONS AS DESCRIBED IN GS-22-008.
6. THIS PRODUCT IS NOT INTENDED TO BE EXPOSED TO MANUFACTURING SOLDER PROCESSES.



FCconnect.com

Copyright FCJ

mat'l. code SEE NOTE 1		surface ✓	tolerance	projection ⊕	product family MINITEK HOUSINGS
ltr	ec'n no	dr	date	tolerances unless otherwise specified .X+3/XX+01	title MINITEK CTW HSG. SGL ROW POLARIZATION & LATCHING
R				angles linear XX+13/XXX+005 0'±2'	MM/INCH scale 8:1
				dr D. WHITING 1991-02-15	dwg no 90312
				enr S. OLSON 1991-02-15	sheet 2 of 2
				chr A. RAISTRICK 1991-08-27	size A3
				appd S. OLSON 1991-08-27	type Product Customer Drawing
sheet index	revision				
	sheet				

form A3