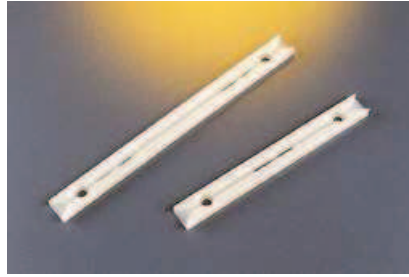
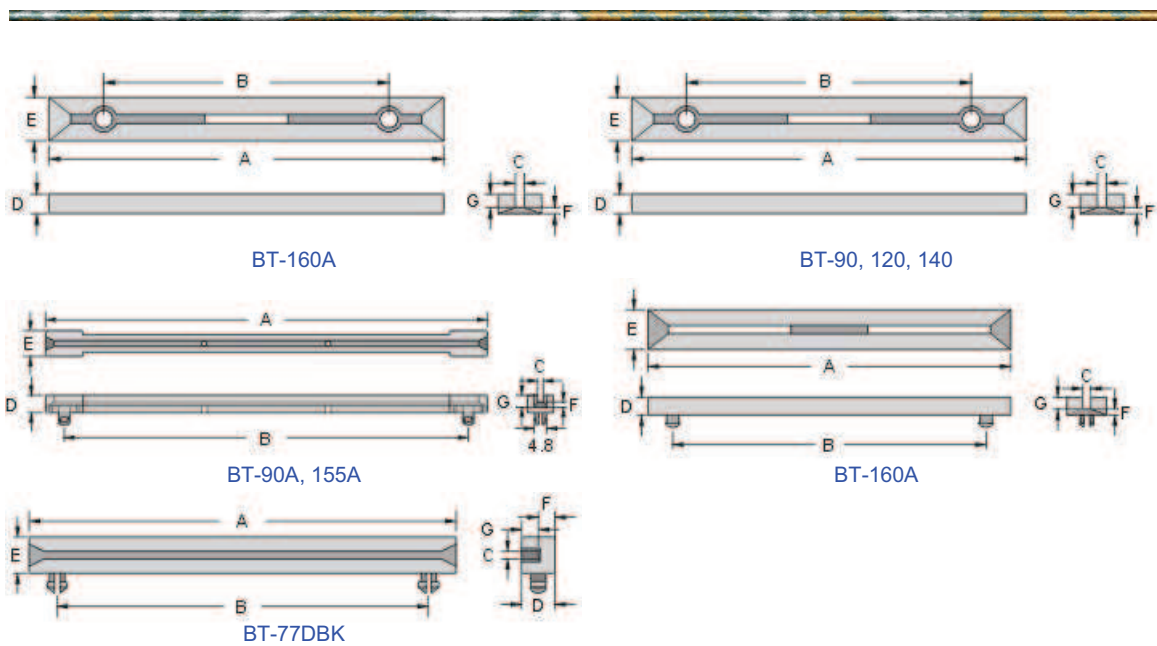


1110 KSS Circuit Board Track



- Material: UL approved Nylon 66, 94V-2.
- Color: Natural, available in other colors.
- To be fixed by 2 sets of 3mm flat-head screw.
- ★ BT-90A,BT-155A,BT-160A with snap in design.



Unit: mm

Item No.	A	B	C	D	E	F	G	Packing
BT-90A	89.5	77.5	2.0	4.5	9.7	1.5	3.0	100 pcs / Bag
BT-90	89.5	64.4	2.0	4.5	9.7	1.5	3.0	
BT-120	119.0	94.5	2.0	4.5	9.5	1.5	3.0	
BT-140	141.0	115.4	2.0	4.5	9.7	1.5	3.0	
BT-155A	154.0	141.0	2.0	4.6	6.5	1.3	3.3	
BT-160	160.5	134.5	2.0	4.5	9.7	1.5	3.0	
BT-160A	163.0	149.5	2.0	6.5	9.5	4.0	2.5	
BT-77DBK	77.0	67.0	1.4	6.0	6.6	1.5	3.0	