

CD4511BM/CD4511BC BCD-to-7 Segment Latch/Decoder/Driver

General Description

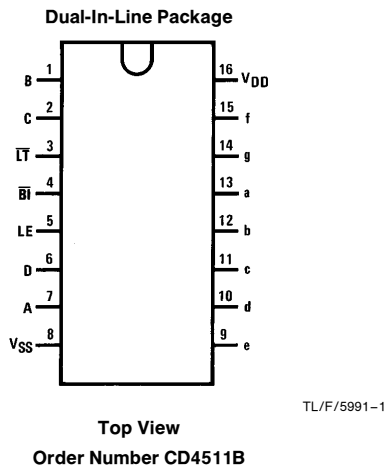
The CD4511BM/CD4511BC BCD-to-seven segment latch/decoder/driver is constructed with complementary MOS (CMOS) enhancement mode devices and NPN bipolar output drivers in a single monolithic structure. The circuit provides the functions of a 4-bit storage latch, an 8421 BCD-to-seven segment decoder, and an output drive capability. Lamp test (LT), blanking (BI), and latch enable (LE) inputs are used to test the display, to turn-off or pulse modulate the brightness of the display, and to store a BCD code, respectively. It can be used with seven-segment light emitting diodes (LED), incandescent, fluorescent, gas discharge, or liquid crystal readouts either directly or indirectly.

Applications include instrument (e.g., counter, DVM, etc.) display driver, computer/calculator display driver, cockpit display driver, and various clock, watch, and timer uses.

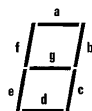
Features

- Low logic circuit power dissipation
- High current sourcing outputs (up to 25 mA)
- Latch storage of code
- Blanking input
- Lamp test provision
- Readout blanking on all illegal input combinations
- Lamp intensity modulation capability
- Time share (multiplexing) facility
- Equivalent to Motorola MC14511

Connection Diagram



Segment Identification

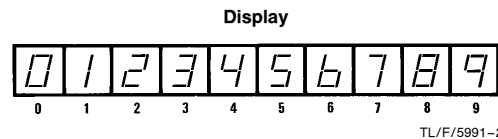


Truth Table

Inputs						Outputs								
LE	BI	LT	D	C	B	A	a	b	c	d	e	f	g	Display
X	X	0	X	X	X	X	1	1	1	1	1	1	1	B
X	0	1	X	X	X	X	0	0	0	0	0	0	0	
0	1	1	0	0	0	0	1	1	1	1	1	1	0	0
0	1	1	0	0	0	1	0	1	1	0	0	0	0	1
0	1	1	0	0	1	0	1	1	0	1	1	0	1	2
0	1	1	0	0	1	1	1	1	1	1	0	0	1	3
0	1	1	0	1	0	0	0	1	1	0	0	1	1	4
0	1	1	0	1	0	1	1	0	1	1	0	1	1	5
0	1	1	0	1	1	0	0	0	1	1	1	1	1	6
0	1	1	0	1	1	1	1	1	1	0	0	0	0	7
0	1	1	1	0	0	0	1	1	1	1	1	1	1	8
0	1	1	1	0	0	1	1	1	1	0	0	1	1	9
0	1	1	1	0	1	0	0	0	0	0	0	0	0	
0	1	1	1	0	1	1	0	0	0	0	0	0	0	
0	1	1	1	1	0	1	0	0	0	0	0	0	0	
0	1	1	1	1	1	0	0	0	0	0	0	0	0	
0	1	1	1	1	1	1	0	0	0	0	0	0	0	
1	1	1	X	X	X	X				*				*

X = Don't Care

*Depends upon the BCD code applied during the 0 to 1 transition of LE.



Absolute Maximum Ratings (Notes 1 & 2)

If Military/Aerospace specified devices are required, please contact the National Semiconductor Sales Office/Distributors for availability and specifications.

DC Supply Voltage (V_{DD})	-0.5V to +18V
Input Voltage (V_{IN})	-0.5V to $V_{DD} + 0.5V$
Storage Temperature Range (T_S)	-65°C to +150°C
Power Dissipation (P_D)	
Dual-In-Line	700 mW
Small Outline	500 mW
Lead Temperature (T_L)	
(Soldering, 10 seconds)	260°C

Recommended Operating Conditions (Note 2)

DC Supply Voltage (V_{DD})	3V to 15V
Input Voltage (V_{IN})	0V to V_{DD}
Operating Temperature Range (T_A)	
CD4510BM, CD4516BM	-55°C to +125°C
CD4510BC, CD4516BC	-40°C to +85°C

DC Electrical Characteristics CD4511BM

Symbol	Parameter	Conditions	-55°C		+25°C			+125°C		Units
			Min	Max	Min	Typ	Max	Min	Max	
I_{DD}	Quiescent Supply Current	$V_{DD} = 5V, V_{IN} = V_{DD}$ or V_{SS}		5			5		150	μA
		$V_{DD} = 10V, V_{IN} = V_{DD}$ or V_{SS}		10			10		300	μA
		$V_{DD} = 15V, V_{IN} = V_{DD}$ or V_{SS}		20			20		600	μA
V_{OL}	Output Voltage Logical "0" Level	$V_{DD} = 5V$		0.01		0	0.01		0.05	V
		$V_{DD} = 10V$		0.01		0	0.01		0.05	V
		$V_{DD} = 15V$		0.01		0	0.01		0.05	V
V_{OH}	Output Voltage Logical "1" Level	$V_{DD} = 5V$	4.1		4.1	4.57		4.1		V
		$V_{DD} = 10V$	9.1		9.1	9.58		9.1		V
		$V_{DD} = 15V$	14.1		14.1	14.59		14.1		V
V_{IL}	Low Level Input Voltage	$V_{DD} = 5V, V_{OUT} = 3.8V$ or $0.5V$		1.5		2	1.5		1.5	V
		$V_{DD} = 10V, V_{OUT} = 8.8V$ or $1.0V$		3.0		4	3.0		3.0	V
		$V_{DD} = 15V, V_{OUT} = 13.8V$ or $1.5V$		4.0		6	4.0		4.0	V
V_{IH}	High Level Input Voltage	$V_{DD} = 5V, V_{OUT} = 0.5V$ or $3.8V$	3.5		3.5	3		3.5		V
		$V_{DD} = 10V, V_{OUT} = 1.0V$ or $8.8V$	7.0		7.0	6		7.0		V
		$V_{DD} = 15V, V_{OUT} = 1.5V$ or $13.8V$	11.0		11.0	9		11.0		V
V_{OH}	Output (Source) Drive Voltage	$V_{DD} = 5V, I_{OH} = 0mA$	4.1		4.1	4.57		4.1		V
		$V_{DD} = 5V, I_{OH} = 5mA$				4.24				V
		$V_{DD} = 5V, I_{OH} = 10mA$	3.9		3.9	4.12		3.5		V
		$V_{DD} = 5V, I_{OH} = 15mA$				3.94				V
		$V_{DD} = 5V, I_{OH} = 20mA$	3.4		3.4	3.75		3.0		V
		$V_{DD} = 5V, I_{OH} = 25mA$				3.54				V
		$V_{DD} = 10V, I_{OH} = 0mA$	9.1		9.1	9.58		9.1		V
		$V_{DD} = 10V, I_{OH} = 5mA$				9.26				V
		$V_{DD} = 10V, I_{OH} = 10mA$	9.0		9.0	9.17		8.6		V
		$V_{DD} = 10V, I_{OH} = 15mA$				9.04				V
		$V_{DD} = 10V, I_{OH} = 20mA$	8.6		8.6	8.9		8.2		V
		$V_{DD} = 10V, I_{OH} = 25mA$				8.75				V
V_{OH}	Output (Source) Drive Voltage	$V_{DD} = 15V, I_{OH} = 0mA$	14.1		14.1	9.58		14.1		V
		$V_{DD} = 15V, I_{OH} = 5mA$				14.27				V
		$V_{DD} = 15V, I_{OH} = 10mA$	14.0		14.0	14.17		13.6		V
		$V_{DD} = 15V, I_{OH} = 15mA$				14.07				V
		$V_{DD} = 15V, I_{OH} = 20mA$	13.6		13.6	13.95		13.2		V
		$V_{DD} = 15V, I_{OH} = 25mA$				13.8				V
I_{OL}	Low Level Output Current	$V_{DD} = 5V, V_{OL} = 0.4V$	0.64		0.51	0.88		0.36		mA
		$V_{DD} = 10V, V_{OL} = 0.5V$	1.6		1.3	2.25		0.9		mA
		$V_{DD} = 15V, V_{OL} = 1.5V$	4.2		3.4	8.8		2.4		mA
I_{IN}	Input Current	$V_{DD} = 15V, V_{IN} = 0V$		-0.10		-10^{-5}	-0.10		-1.0	μA
		$V_{DD} = 15V, V_{IN} = 15V$		0.10		10^{-5}	0.10		1.0	μA

Note 1: Devices should not be connected with power on.

DC Electrical Characteristics CD4511BC										
Symbol	Parameter	Conditions	-55°C		+25°C			+85°C		Units
			Min	Max	Min	Typ	Max	Min	Max	
I _{DD}	Quiescent Supply Current	V _{DD} = 5V		20			20		150	μA
		V _{DD} = 10V		40			40		300	μA
		V _{DD} = 15V		80			80		600	μA
V _{OL}	Output Voltage Logical "0" Level	V _{DD} = 5V		0.01		0	0.01		0.05	V
		V _{DD} = 10V		0.01		0	0.01		0.05	V
		V _{DD} = 15V		0.01		0	0.01		0.05	V
V _{OH}	Output Voltage Logical "1" Level	V _{DD} = 5V	4.1		4.1	4.57		4.1		V
		V _{DD} = 10V	9.1		9.1	9.58		9.1		V
		V _{DD} = 15V	14.1		14.1	14.59		14.1		V
V _{IL}	Low Level Input Voltage	V _{DD} = 5V, V _{OUT} = 3.8V or 0.5V		1.5		2	1.5		1.5	V
		V _{DD} = 10V, V _{OUT} = 8.8V or 1.0V		3.0		4	3.0		3.0	V
		V _{DD} = 15V, V _{OUT} = 13.8V or 1.5V		4.0		6	4.0		4.0	V
V _{IH}	High Level Input Voltage	V _{DD} = 5V, V _{OUT} = 0.5V or 3.8V	3.5		3.5	3		3.5		V
		V _{DD} = 10V, V _{OUT} = 1.0V or 8.8V	7.0		7.0	6		7.0		V
		V _{DD} = 15V, V _{OUT} = 1.5V or 13.8V	11.0		11.0	9		11.0		V
V _{OH}	Output (Source) Drive Voltage	V _{DD} = 5V, I _{OH} = 0 mA	4.1		4.1	4.57		4.1		V
		V _{DD} = 5V, I _{OH} = 5 mA				4.24				V
		V _{DD} = 5V, I _{OH} = 10 mA	3.6		3.6	4.12		3.3		V
		V _{DD} = 5V, I _{OH} = 15 mA				3.94				V
		V _{DD} = 5V, I _{OH} = 20 mA	2.8		2.8	3.75		2.5		V
		V _{DD} = 5V, I _{OH} = 25 mA				3.54				V
		V _{DD} = 10V, I _{OH} = 0 mA	9.1		9.1	9.58		9.1		V
		V _{DD} = 10V, I _{OH} = 5 mA				9.26				V
		V _{DD} = 10V, I _{OH} = 10 mA	8.75		8.75	9.17		8.45		V
		V _{DD} = 10V, I _{OH} = 15 mA				9.04				V
		V _{DD} = 10V, I _{OH} = 20 mA	8.1		8.1	8.9		7.8		V
		V _{DD} = 10V, I _{OH} = 25 mA				8.75				V
I _{OL}	Low Level Output Current	V _{DD} = 5V, V _{OL} = 0.4V	0.52		0.44	0.88		0.36		mA
		V _{DD} = 10V, V _{OL} = 0.5V	1.3		1.1	2.25		0.9		mA
		V _{DD} = 15V, V _{OL} = 1.5V	3.6		3.0	8.8		2.4		mA
I _{IN}	Input Current	V _{DD} = 15V, V _{IN} = 0V		-0.30		-10 ⁻⁵	-0.30		-1.0	μA
		V _{DD} = 15V, V _{IN} = 15V		0.30		10 ⁻⁵	0.30		1.0	μA

AC Electrical Characteristics*						
T _A = 25°C and C _L = 50 pF, typical temperature coefficient for all values of V _{DD} = 0.3%/°C						
Symbol	Parameter	Conditions	CD4511BX			Units
			Min	Typ	Max	
C _{IN}	Input Capacitance	V _{IN} = 0		5.0	7.5	pF
t _r	Output Rise Time (Figure 1a)	V _{DD} = 5V		40	80	ns
		V _{DD} = 10V		30	60	ns
		V _{DD} = 15V		25	50	ns
t _f	Output Fall Time (Figure 1a)	V _{DD} = 5V		125	250	ns
		V _{DD} = 10V		75	150	ns
		V _{DD} = 15V		65	130	ns
t _{PLH}	Turn-Off Delay Time (Data) (Figure 1a)	V _{DD} = 5V		640	1280	ns
		V _{DD} = 10V		250	500	ns
		V _{DD} = 15V		175	350	ns
t _{PHL}	Turn-On Delay Time (Data) (Figure 1a)	V _{DD} = 5V		720	1440	ns
		V _{DD} = 10V		290	580	ns
		V _{DD} = 15V		195	400	ns
t _{PLH}	Turn-Off Delay Time (Blank) (Figure 1a)	V _{DD} = 5V		320	640	ns
		V _{DD} = 10V		130	260	ns
		V _{DD} = 15V		100	200	ns
t _{PHL}	Turn-On Delay Time (Blank) (Figure 1a)	V _{DD} = 5V		485	970	ns
		V _{DD} = 10V		200	400	ns
		V _{DD} = 15V		160	320	ns
t _{PLH}	Turn-Off Delay Time (Lamp Test) (Figure 1a)	V _{DD} = 5V		313	625	ns
		V _{DD} = 10V		125	250	ns
		V _{DD} = 15V		90	180	ns
t _{PHL}	Turn-On Delay Time (Lamp Test) (Figure 1a)	V _{DD} = 5V		313	625	ns
		V _{DD} = 10V		125	250	ns
		V _{DD} = 15V		90	180	ns
t _{SETUP}	Setup Time (Figure 1b)	V _{DD} = 5V	180	90		ns
		V _{DD} = 10V	76	38		ns
		V _{DD} = 15V	40	20		ns
t _{HOLD}	Hold Time (Figure 1b)	V _{DD} = 5V	0	-90		ns
		V _{DD} = 10V	0	-38		ns
		V _{DD} = 15V	0	-20		ns
PW _{LE}	Minimum Latch Enable Pulse Width (Figure 1c)	V _{DD} = 5V	520	260		ns
		V _{DD} = 10V	220	110		ns
		V _{DD} = 15V	130	65		ns

*AC Parameters are guaranteed by DC correlated testing.

Switching Time Waveforms

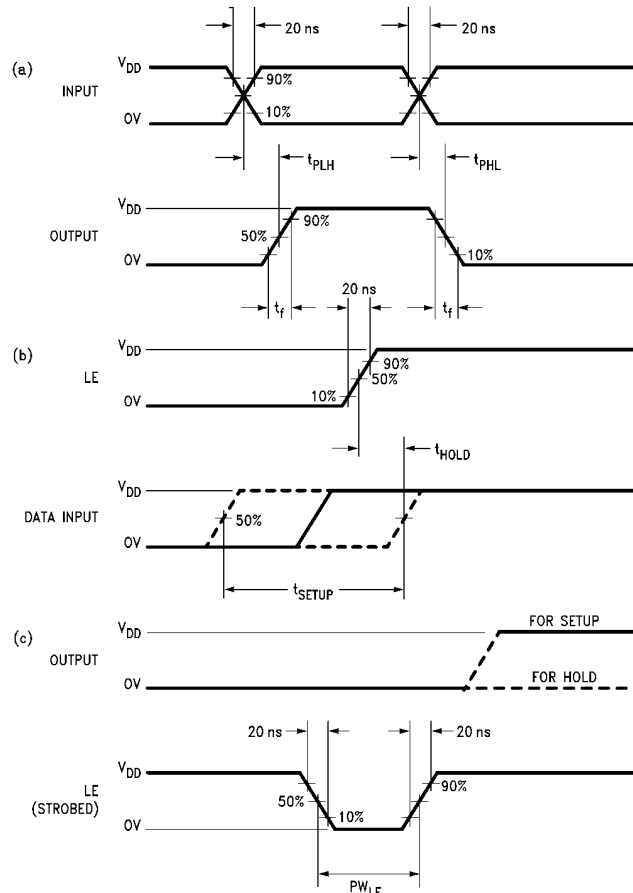
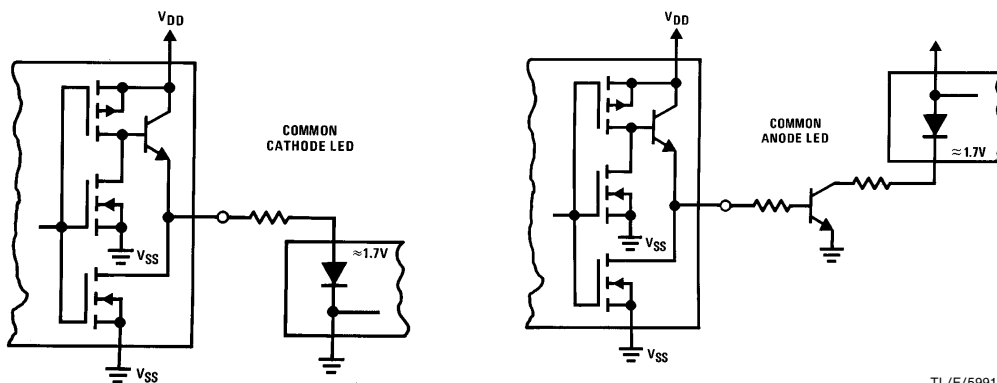


FIGURE 1

TL/F/5991-4

Typical Applications

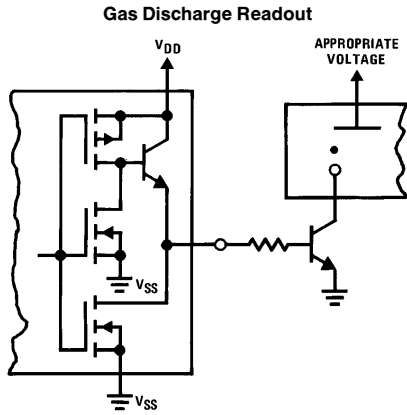
Light Emitting Diode (LED) Readout



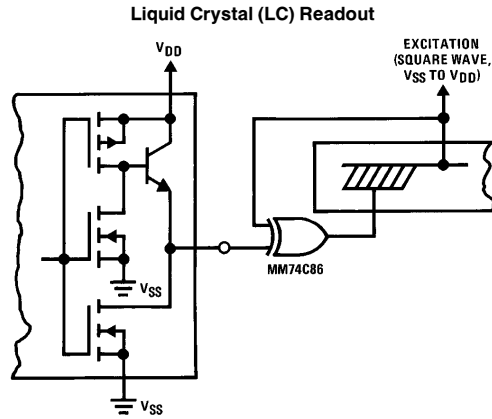
TL/F/5991-5

TL/F/5991-6

Typical Applications (Continued)

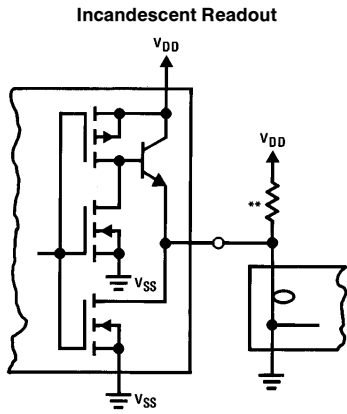


TL/F/5991-7



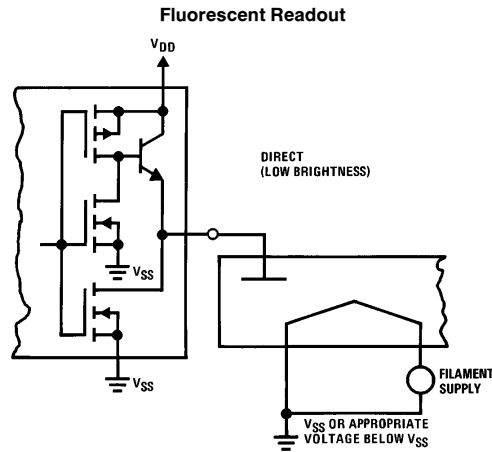
TL/F/5991-8

Direct DC drive of LC's not recommended for life of LC readouts.



TL/F/5991-9

**A filament pre-warm resistor is recommended to reduce filament thermal shock and increase the effective cold resistance of the filament.



TL/F/5991-10

Important statement:

Huaguan Semiconductor Co,Ltd. reserves the right to change the products and services provided without notice. Customers should obtain the latest relevant information before ordering, and verify the timeliness and accuracy of this information.

Customers are responsible for complying with safety standards and taking safety measures when using our products for system design and machine manufacturing to avoid potential risks that may result in personal injury or property damage.

Our products are not licensed for applications in life support, military, aerospace, etc., so we do not bear the consequences of the application of these products in these fields.

Our documentation is only permitted to be copied without any tampering with the content, so we do not accept any responsibility or liability for the altered documents.