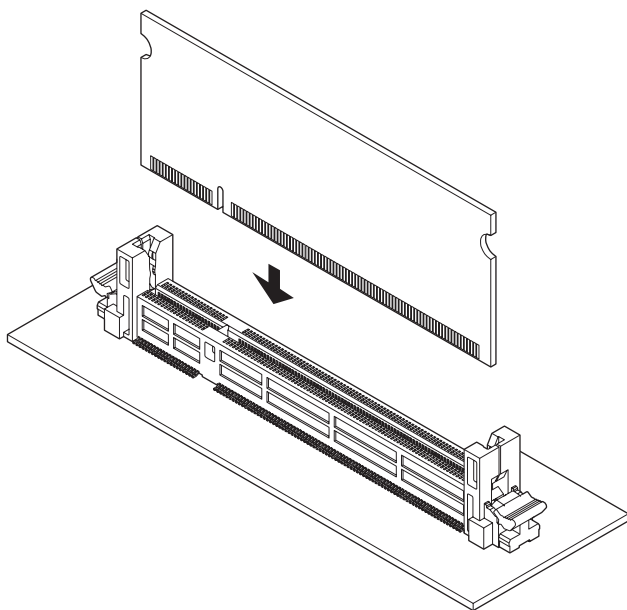




DM-200P CONNECTOR

0.6mm pitch/Socket for DDR/DDR2 S.O.DIMM



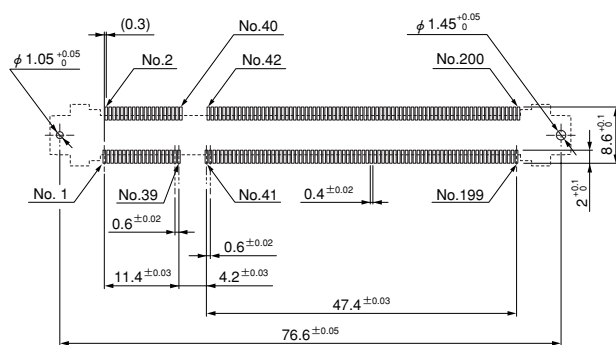
Socket for DDR/DDR2 S.O.DIMM 200 circuits complying with JEDEC (MO-224).

- Easy module inserting/ejecting
- 14.0 mm height
- Socket for each S.O.DIMM of DDR/DDR2 is prepared.

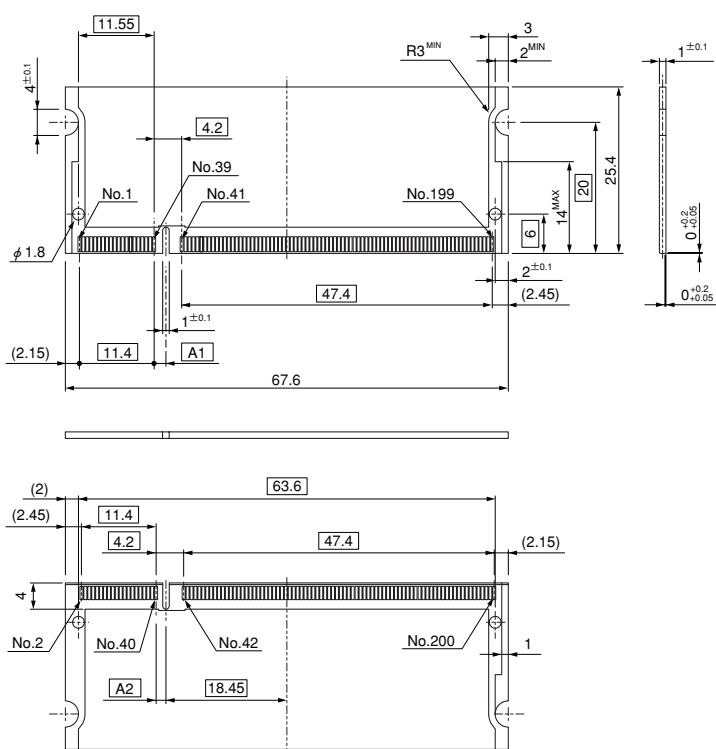
Specifications

- Current rating: 0.3 A AC, DC
 - Voltage rating: 25 V AC, DC
 - Temperature range: -25°C to +85°C
(including temperature rise in applying electrical current)
 - Insulation resistance: 125 MΩ min.
 - Withstanding voltage: 125 VAC/minute
- * Refer to "General Instruction and Notice when using Terminals and Connectors" at the end of this catalog.
* Contact JST for details.
* Compliant with RoHS.

PC board layout (Common)



Applicable PC board layout (Reference)



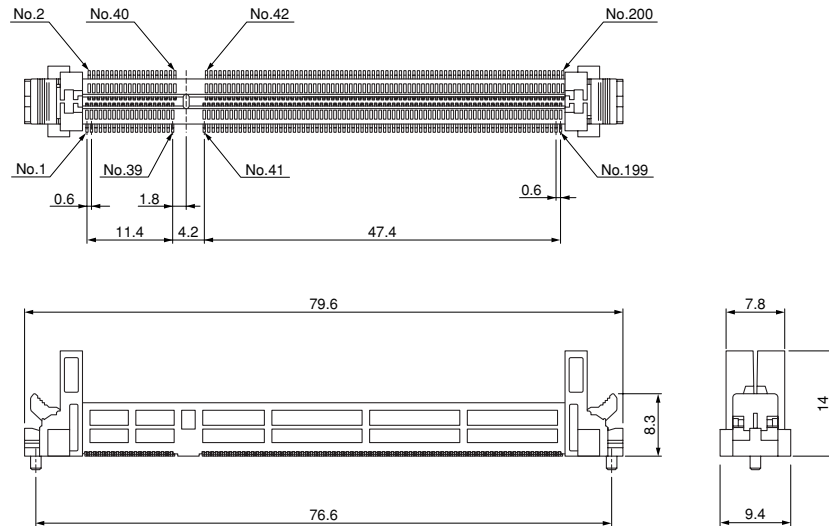
Note: The dimensions above should serve as a guideline.
Contact JST for details.

Applicable DIMM	A1	A2
Complying with JEDEC (MO224) DDR SDRAM S.O.DIMM 200P (2.5 V)	1.8	1.5
Complying with JEDEC (MO224) DDR2 SDRAM S.O.DIMM 200P (1.8 V)	2.7	2.4

DM-200P CONNECTOR

Connector

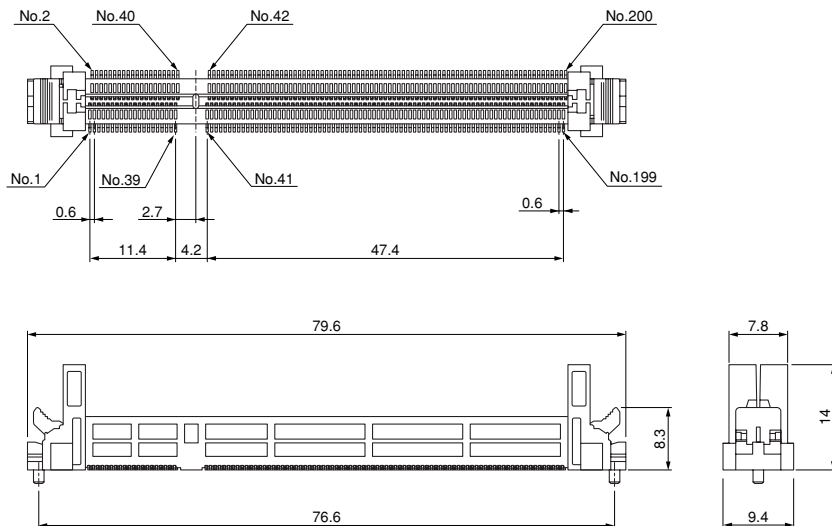
For DDR
(Operating voltage 2.5 V)



Model No.	Material and Finish	Q'ty/box
DM-6D4-B2500	Contact: Copper alloy, nickel-undercoated, gold-plated Housing: Heat resisting resin, UL94V-0, black Ejector: Heat resisting resin, UL94V-0, blue	224

RoHS compliance

For DDR2
(Operating voltage 1.8 V)



Model No.	Material and Finish	Q'ty/box
DM-7D4-H2500	Contact: Copper alloy, nickel-undercoated, gold-plated Housing: Heat resisting resin, UL94V-0 Ejector: Heat resisting resin, UL94V-0	224

RoHS compliance