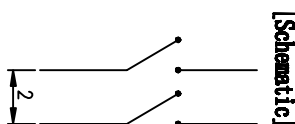
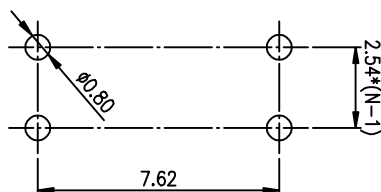
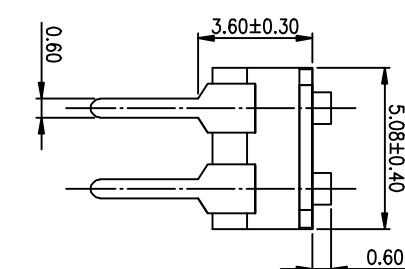
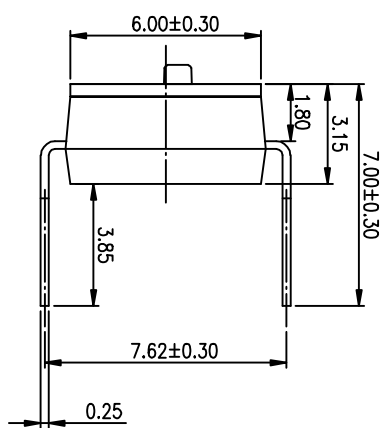
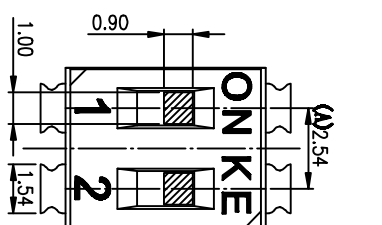
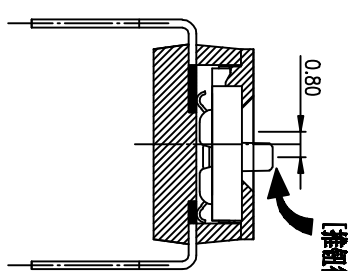


PRODUCT NO.	DISC02LHGET
ROHS COMPLIANT	RoHS compliant



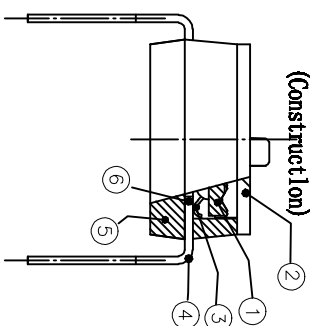
RECOMMENDED P.C.B. LAYOUT (TOP VIEW)



- NOTES :
- 1> Specification:
 - 1> Operating force: 1000gf Max
 - 2> Operating Temperature: -40° to +85°
 - 3> Storage Temperature: -40° to +85°
 - 4> Mechanical Life: 3000cycles minimum
 - 5> Electrical Life: 2000cycles 25mA 24VDC
 2. PLATING:
 - GOLD FLASH 1u"(min.) SOLDER TAIL,
 - 3u" GOLD PLATING ON THE CONTACT AREA,
 - WITH 50u" NICKEL UNDERPLATING OVERALL.

3. PART NUMBER DESCRIPTION

- DISC XX T S G E T
- [包裝方式: T=管裝 R=盒裝]
 - [電鍍層: B=鍍鍍銀3u" G=鍍鍍銀3u" / 鍍鍍銀1-2u"]
 - [G=鍍金 S=內金少鍍]
 - [腳型: S脚 / J脚 / 環 / A脚 / Z脚]
 - [T=低推力度 S=低推不推度 L=長推]
 - [產品碼: 01=1P 02=2P 03=3P 12=12P]



Number	Part Name	Material	Finished
①	Actuator	UL94 V0	White
②	Cover	UL94 V0	Black
③	Movable	Copper Alloy	3u"Gold
④	Terminal	Brass	1u"Gold
⑤	Base	UL94 V0	Black
⑥	Terminal Contact	Brass	3u"Gold

TOLERANCE UNLESS OTHERWISE SPECIFIED		INSPECTION	
LINER	ANGLES	COPY	PROJECTION
0 ± 0.25	0. ± 2'		
.00 ± 0.15	.0 ± 1'		
.000 ± 0.10	.00 ± 0.5'		
DESIGN	kathy	2012/04/12	
DRAWING			
CHECK			
APPRO.			

東莞市 實業有限公司
Dongguan Kingtek Industrial Co., Ltd.

BY DISC SERIES PITCH 2.54mm
PRODUCT FAMILY DISC SERIES
PRAT NO. DISC02LHGET
FILE NO. DISC02LHGET-A
SIZE UNIT SCALE SHEET REV.
A4 mm 2 : 1 1 OF 1 A