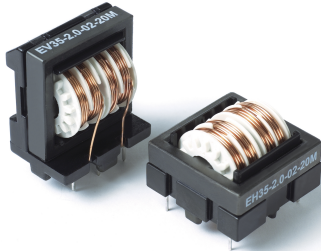


Common-mode Suppression Chokes



- Rated currents up to 5 A
- Broadband attenuation characteristics
- Low magnetic leakage flux
- UL rated materials
- RoHS compliant



Approvals & Compliances



Common-mode suppression chokes are mainly used to filter noise on AC power lines. Noise on commercial power lines could enter the equipment and disturb the proper function. Noise generated by the equipment for example from switch mode power supplies need to be filtered and the spread of such generated noise need to be suppressed. Common-mode suppression chokes together with line bypass capacitors building an AC EMI suppression filter device.

Technical specifications

Maximum continuous operating voltage	250 VAC @ 50°C
Operating frequency	DC to 400 Hz
Rated currents	0.3 to 5 A
Overcurrent	1.5x Inominal for 1 minute, once per hour
winding-to-winding @ 25°C	3000 VAC, 60 sec, guaranteed 2000 V, 50 Hz, 2 sec, factory test
Temperature range (operation and storage)	-25°C to +100°C (25/100/21)
Flammability corresponding to	UL 94 V-0
Measuring frequency	10 kHz; 5 mA <16 µH; 500 µA >16 µH <160 µH; 50 µA >160 µH >16 mH; 50 mV >16 mH <160 mH Inductance tolerance ±30%
Resistance	Tolerance max. ±15% @ 25°C; ≤20 mΩ, 1 A; >20 mΩ ≤200 mΩ, 100 mA; >200 mΩ ≤2 V, 10 mA
Electrical characteristics	@ 25°C ±2°C
MTBF @ 40°C/230 V (Mil-HB-217F)	>5,000,000 hours

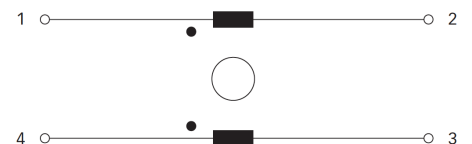
Features and benefits

- Rated currents up to 5 A
- Compact and light weight
- Low magnetic leakage flux
- Sectional winding
- Standard foot print
- Broad range of available inductances and current ratings
- Custom-specific versions
- Schaffner offers you also EMI measurement service to verify that your design will pass the required safety standards

Typical applications

- Input filters for switch mode power supplies
- Filters to reduce leaking noise
- TVs, VCRs, multimedia and audio equipment
- Office automation, communications and other electronic devices
- Electric ballast
- AC/AC converters

Typical electrical schematic



Choke selection table

EH choke	Buy (EH)	EV choke	Buy (EV)	L nominal (±30%) [mH]	DC resistance R [mΩ]	Rated current I (50°C) [A]	Weight [g]
EH20-0.3-02-33M		EV20-0.3-02-33M		33	1780	0.3	10
EH20-0.5-02-18M		EV20-0.5-02-18M		18	725	0.5	10
EH20-0.8-02-5M6		EV20-0.8-02-5M6		5.6	245	0.8	10
EH20-1.0-02-3M9		EV20-1.0-02-3M9		3.9	168	1.0	10
EH20-1.2-02-3M3		EV20-1.2-02-3M3		3.3	127	1.2	10
EH20-1.5-02-1M8		EV20-1.5-02-1M8		1.8	72	1.5	10
EH20-2.0-02-0M8		EV20-2.0-02-0M8		0.82	38	2.0	10
EH24-0.5-02-44M		EV24-0.5-02-44M		44	1250	0.5	18
EH24-0.8-02-18M		EV24-0.8-02-18M		18	438	0.8	18
EH24-1.0-02-10M		EV24-1.0-02-10M		10	244	1.0	18
EH24-1.5-02-4M5		EV24-1.5-02-4M5		4.5	116	1.5	18
EH24-2.0-02-2M5		EV24-2.0-02-2M5		2.5	62	2.0	18
EH24-3.0-02-1M2		EV24-3.0-02-1M2		1.2	29	3.0	18
EH24-4.0-02-0M5		EV24-4.0-02-0M5		0.5	16	4.0	18
EH28-1.0-02-75M-X				75	880	1.0	31
EH28-1.0-02-36M		EV28-1.0-02-36M		36	591	1.0	31
EH28-1.5-02-27M-X		EV28-1.5-02-27M-X		27	282	1.5	31
EH28-1.5-02-20M		EV28-1.5-02-20M		20	282	1.5	31
EH28-2.0-02-15M-X				15	196	2.0	33
EH28-2.0-02-11M		EV28-2.0-02-11M		11	162	2.0	31
EH28-3.0-02-9M0-X		EV28-3.0-02-9M0-X		9	115	3.0	31
EH28-3.0-02-5M0		EV28-3.0-02-5M0		5	79	3.0	31
EH28-4.0-02-3M5-X				3.5	52	4.0	31
EH28-4.0-02-2M3		EV28-4.0-02-2M3		2.3	40	4.0	31
EH28-5.0-02-1M1		EV28-5.0-02-1M1		1.1	27	5.0	31
EH35-1.0-02-90M		EV35-1.0-02-90M		90	628	1.0	70
EH35-2.0-02-20M		EV35-2.0-02-20M		20	150	2.0	70
EH35-3.0-02-10M		EV35-3.0-02-10M		10	72	3.0	70
EH35-4.0-02-5M0		EV35-4.0-02-5M0		5	53	4.0	70
EH35-5.0-02-3M6		EV35-5.0-02-3M6		3.6	33	5.0	70

All wires rated 130°C or higher.

Distribution inventory

Up-to-date inventory levels for global distributors is available at

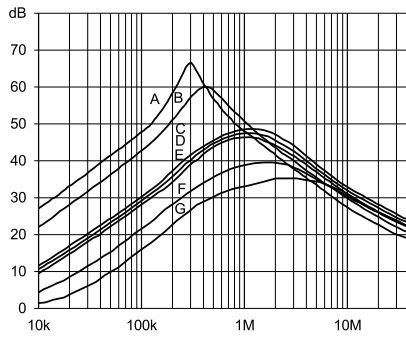
<https://products.schaffner.com/stock>



Typical choke attenuation

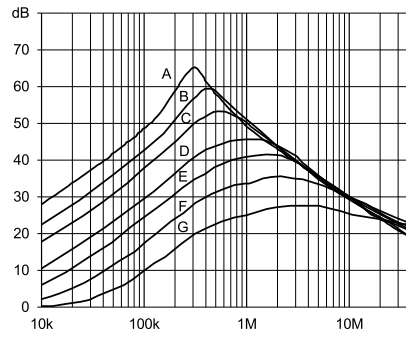
Per CISPR 17; 50 Ω/50 Ω asym

EV/EH 20 types



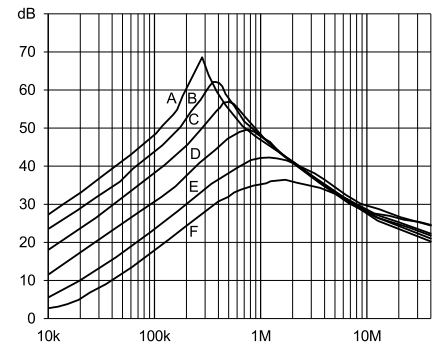
A = 33 mH; B = 18 mH; C = 5.6 mH
 D = 3.9 mH; E = 3.3 mH; F = 1.8 mH
 G = 0.8 mH

EV/EH 24 types



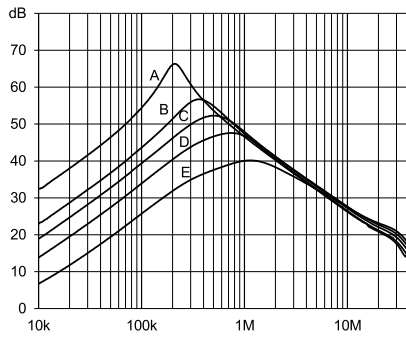
A = 44 mH; B = 18 mH; C = 10 mH
 D = 5.5 mH; E = 2.5 mH; F = 1.2 mH
 G = 0.5 mH

EV/EH 28 types



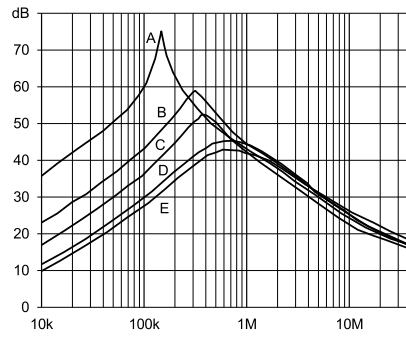
A = 36 mH; B = 20 mH; C = 11 mH
 D = 5 mH; E = 2.3 mH; F = 1.1 mH

EV/EH 28 X types



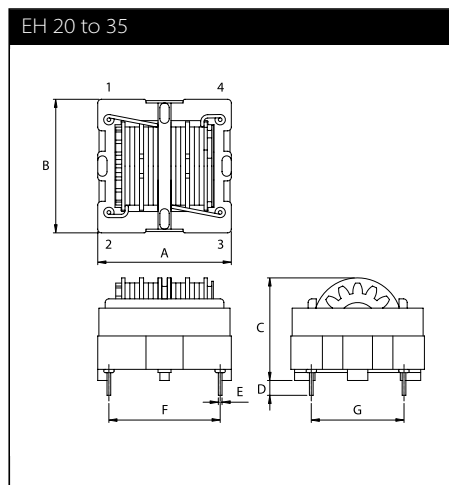
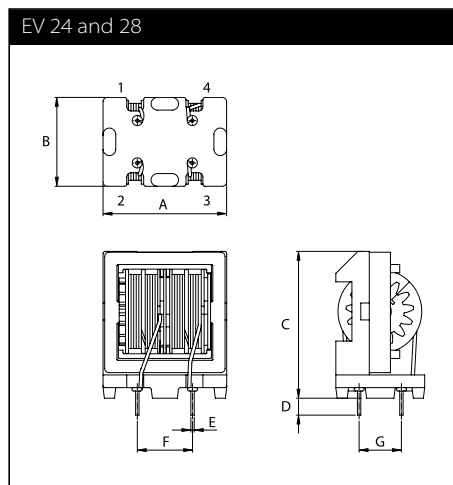
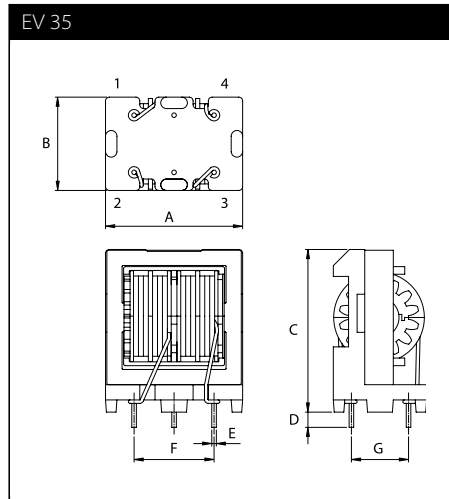
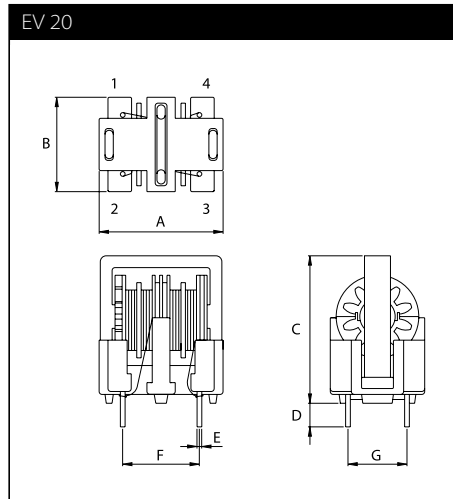
A = 75 mH; B = 27 mH; C = 15 mH
 D = 9 mH; E = 3.5 mH

EV/EH 35 types



A = 90 mH; B = 20 mH; C = 10 mH
 D = 5 mH; E = 3.6 mH

Mechanical data



Dimensions

	EV 20	EV 24	EV 28	EV 35	EH 20	EH 24	EH 28	EH35	Tolerances
A	21	24.6	29.2	36	21	24	28	36	±1
B	16	17.4	21	25.5	21	24	28	36	±1
C	25*	29.1	34.7	42.7	17.8	20	22.9	27.7	±1
D	4	4	4	4	4	4	4	4	±1
E	Ø0.8	Ø0.8	Ø0.8	Ø1.2	Ø0.8	Ø0.8	Ø0.8	Ø1.0	±0.1
F	13	13	13	21	13	21	24	30	±0.5
G	10	10	10	15	10	15	20	25	±0.5

All dimensions in mm; 1 inch = 25.4 mm

* Tolerance is +1/-2 mm

Please visit www.schaffner.com to find more details on filter connectors.



Headquarters, global innovation and development

Switzerland

Schaffner Group

Industrie Nord
Nordstrasse 11e
4542 Luterbach
T +41 32 681 66 26
info@schaffner.com



Sales and application centers

China

Schaffner EMC Ltd. Shanghai

T20-3 C, No 565 Chuangye Road,
Pudong district
201201 Shanghai
T +86 21 3813 9500
cschina@schaffner.com
www.schaffner.com.cn

Finland

Schaffner Oy

Sauvonrinne 19 H
08500 Lohja
T +358 50 468 7284
finlandsales@schaffner.com

France

Schaffner EMC S.A.S.

16-20 Rue Louis Rameau
95875 Bezons
T +33 1 34 34 30 60
F +33 1 39 47 02 28
francesales@schaffner.com

Germany

Schaffner Deutschland GmbH

Schoemperlenstrasse 12B
76185 Karlsruhe
T +49 721 56910
germanysales@schaffner.com

India

Schaffner India Pvt. Ltd

REGUS WORLD TRADE CENTRE
WTC, 22nd Floor Unit No 2238, Brigade
Gateway Campus, 26/1, Dr. Rajkumar Road
Malleshwaram (W)
560055 Bangalore
T +91 80 67935355
indiasales@schaffner.com

Italy

Schaffner EMC S.r.l.

Via Ticino, 30
20900 Monza (MB)
T +39 039 21 41 070
italysales@schaffner.com

Japan

Schaffner EMC K.K.

Taiju-Seimei Sangenjaya Bldg.
1-32-12, Kamiyuma, Setagaya-ku
154-0011 Tokyo
T +81 3 5712 3650
F +81 3 5712 3651
japansales@schaffner.com
www.schaffner.jp

Singapore

Schaffner EMC Pte Ltd.

#05-09, Kg Ubi Ind. Estate
408705 Singapore
T +65 6377 3283
F +65 6377 3281
singaporesales@schaffner.com

Spain

Schaffner EMC España

Calle Caléndula 93, Miniparc III, Edificio E
El Soto de Moraleja, Alcobendas
28109 Madrid
T +34 917 912 900
F +34 917 912 901
spainsales@schaffner.com

Sweden

Schaffner EMC AB

Östermalmstorg 1
114 42 Stockholm
T +46 8 5050 2425
swedensales@schaffner.com
www.schaffner.com

Switzerland

Schaffner EMV AG

Industrie Nord
Nordstrasse 11e
4542 Luterbach
T +41 32 681 66 88
T +41 32 681 66 26
switzerlandsales@schaffner.com

Taiwan

Schaffner EMV Ltd.

20 Floor-2, No 97, Section 1, XinTai 5th Road
22175 XiZhi District New Taipei City 22175
T +886 2 2697 5500
F +886 2 2697 5533
taiwansales@schaffner.com
www.schaffner.com.tw

Thailand

Schaffner EMC Co. Ltd.

Northern Region Industrial Estate
67 Moo 4 Tambon Ban Klang
Amphur Muangng P.O. Box 14
51000 Lamphun
T +66 53 58 11 04
F +66 53 58 10 19
thailandsales@schaffner.com

United Kingdom

Schaffner Ltd.

1, Oakmede Place
Binfield
RG42 4JF Berkshire
T +44 118 9770070
F +44 118 9792969
uksales@schaffner.com

USA

Schaffner EMC Inc.

52 Mayfield Avenue
Edison, New Jersey
T +1 732 225 9533
F +1 732 225 4789
usasales@schaffner.com
www.schaffnerusa.com

To find your local partner within Schaffner's global network: www.schaffner.com

© 2021 Schaffner Group

The content of this document has been carefully checked and understood. However, neither Schaffner nor its subsidiaries assume any liability whatsoever for any errors or inaccuracies of this document and the consequences thereof. Published specifications are subject to change without notice. Product suitability for any area of application must ultimately be determined by the customer. In all cases, products must never be operated outside their published specifications. Schaffner does not guarantee the availability of all published products. This disclaimer shall be governed by substantive Swiss law and resulting disputes shall be settled by the courts at the place of business of Schaffner Holding AG. Latest publications and a complete disclaimer can be downloaded from the Schaffner website. All trademarks recognized.

Mouser Electronics

Authorized Distributor

Click to View Pricing, Inventory, Delivery & Lifecycle Information:

Schaffner:

[EH20-0.5-02-18M](#) [EH20-0.3-02-33M](#) [EH20-0.8-02-5M6](#) [EH20-1.0-02-3M9](#) [EH20-1.2-02-3M3](#) [EH20-1.5-02-1M8](#)
[EH20-2.0-02-0M8](#) [EH24-0.5-02-44M](#) [EH24-0.8-02-18M](#) [EH24-1.0-02-10M](#) [EH24-1.5-02-4M5](#) [EH24-2.0-02-2M5](#)
[EH24-3.0-02-1M2](#) [EH24-4.0-02-0M5](#) [EH28-1.0-02-36M](#) [EH28-1.5-02-20M](#) [EH28-2.0-02-11M](#) [EH28-3.0-02-5M0](#)
[EH28-4.0-02-2M3](#) [EH28-5.0-02-1M1](#) [EH35-1.0-02-90M](#) [EH35-2.0-02-20M](#) [EH35-3.0-02-10M](#) [EH35-4.0-02-5M0](#)
[EH35-5.0-02-3M6](#) [EV20-0.3-02-33M](#) [EV20-0.5-02-18M](#) [EV20-0.8-02-5M6](#) [EV20-1.0-02-3M9](#) [EV20-1.2-02-3M3](#)
[EV20-1.5-02-1M8](#) [EV20-2.0-02-0M8](#) [EV24-0.5-02-44M](#) [EV24-0.5-02-44M-1](#) [EV24-0.8-02-18M](#) [EV24-1.0-02-10M](#)
[EV24-1.5-02-4M5](#) [EV24-2.0-02-2M5](#) [EV24-3.0-02-1M2](#) [EV24-4.0-02-0M5](#) [EV28-1.0-02-36M](#) [EV28-1.5-02-20M](#)
[EV28-3.0-02-5M0](#) [EV28-4.0-02-2M3](#) [EV28-5.0-02-1M1](#) [EV35-1.0-02-90M](#) [EV35-2.0-02-20M](#) [EV35-3.0-02-10M](#)
[EV35-4.0-02-5M0](#) [EV35-5.0-02-3M6](#) [EH28-3.0-02-9M0-X](#) [EH28-4.0-02-3M5-X](#) [EV28-1.5-02-27M-X](#) [EV28-3.0-02-9M0-X](#) [EV28-2.0-02-11M](#) [EH20-0.5-02-18M](#)