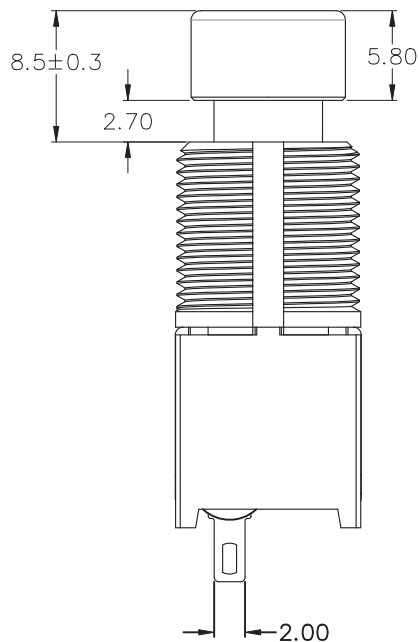


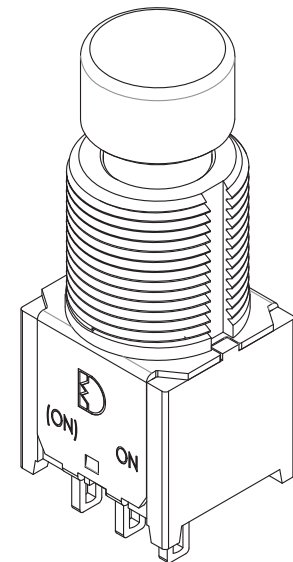
PANEL MOUNTING



本公司智慧財產，未經同意不得複製  
DAILYWELL copyright, may not be used  
without permission from DAILYWELL

SWITCH FUNCTION		Term. Comm.
ON	(ON)	2-1 ON 2-3 (ON)

( )=MOMENTARY



**SPECIFICATIONS**

RATING: DC9V,1A

CONTACT RESISTANCE:50mΩ MAX.

INSULATION RESISTANCE:DC 500V 100MΩ MIN.

DIELECTRIC STRENGTH:1,000V RMS @SEA LEVEL.

OPERATING FORCE : 1.7±0.7Kgf

OPERATING TEMP : -10°C ~ +70°C

MECHANICAL LIFE:20,000 CYCLES

RoHS & Lead Free

	PART NO.	PART NAME	Q'TY
1	MNU-PA03	M12x0.75 SI NUTS	2
2	NU-7K01	WASHER	1
3	NU-1M09	TOOTH WASHER	1

FILE NAME : HARDWARE-0097

**德利威電子股份有限公司**  
DAILYWELL ELECTRONICS CO.,LTD.

	符號	原尺寸	修改後尺寸	變更日期
1	Ⓐ			
2	Ⓑ			
3	Ⓒ			
4	Ⓓ			
5	Ⓔ			

**SCALE (比例): 2:1**

TOLERANCE (公差):  
0.00 mm ± 0.25mm  
0.0 mm ± 0.40mm  
ANGULAR:±5°

FILE NAME : FK0010

TITLE 圖名	Pushbutton Switches			SIZE 圖紙	A4
DWG NO. 圖號	FKS7P10B1C3M1QES-5			UNIT 單位	mm
REV. 版本	A	DATE 日期	OCT - 18 - 2016	SHEET 張數	1 of 1
CHECKED BY 審核			DRAWN BY 製圖	IRENE	