

規格承認書

PECIFICATION FOR APPROVAL

客 戶
CUSTOMER : 立創
項 目
ITEM : 塑壳插针内磁喇叭
型 號
TYPE : GSPK2308P-8R0.5W
描述
DESCRIPTION : ϕ 23.0 x H8.0 mm 8 Ω 0.5W S.P.L: 85dB+/- 3dB
客戶料號
CUSTOMER NO. :
規 格 書 號
SPECIFICATION NO.:
版 本
EDITION NO. : V1.0
日 期
DATE : 2020-6-15

客戶承認

CUSTOMER CONFIRM AND SIGN

檢 查 TESTED BY	審 核 CHECKED BY	承 認 APPROVED BY

東莞市贏海電子有限公司

DONGUAN INGHAI ELECTRONICS CO.,LTD

製 作 ISSUED BY	審 查 CHECKED BY	確 認 APPROVED BY
周明	刘承成	

地址：广东省东莞市虎门镇怀德社区雅瑶工业区
電話 / TEL: 0769-83060958 傳真 / FAX: 0769-81608993
網址: [HTTP://WWW.INGHAI.COM](http://www.inghai.com)

A. 范围/SCOPE

该规格书适用于移动电话等使用的扬声器单元。

This Specification Applies to The Speaker, Used In Mobilephone sec.

B. 型号/PART No

客户型号/Customer'S Part no:

本公司型号/Our Part no : GSPK2307P-8R0.5W

C. 尺寸与重量/TYPE

23*8.0mm 圆形喇叭 电动式/ 20mm Rectangle Dynamic type

D. 尺寸与重量/DIMENSION

尺寸: 参考外观图面 (Figure.3)

Dimension: Refer To The Appearance Drawing. (Figure.3)

重量: 7.5 /±0.1g

Weight: 7.5 /±0.1g

E. 标准测试条件/STANDARD TEST CONDITION

在没有其他特别指定时, 测试应如下所记的标准测试条件下进行。

Unless Otherwise Specified, The Test Shall Be Made Under The Standard Conditions.

- 温度/Temperature : 17℃~25℃ (Standard: 20.5℃)
- 相对湿度/Relative Humidity : 45%~85% (Standare: 65%)
- 大气压力/Pressure : 86Kpa~106Kpa(Standard: 101.3 Kpa)

F. 使用与储存温度/OPERATION AND STORAGE TEMPERATUR

• 使用温度/Operation Temperature : -40℃~85℃

• 储存温度/Storage Temperature : -30℃~ 70℃

G. 电气特性规格/Electrical Specification

参考特性规格页面/Refer To The Appearance Page

H. 外观与尺寸：参考附图

Appearance&Size: Refer To The Apprarence Drawing

1. 额定/Rated

项目/Items	规格/Specification	条件/Conditions
额定阻抗/Rated Impedance	8 Ohm±15%	At 1kHz 1.0 V
额定输入功率/Rated input power	0.25 W	At 2.0 V
最大输入功率/Max input power	0.5 W	At 2.0 V
最低共振频率 /Min Resonant Frequency	1800±20% Hz	2.0 V Input
灵敏度/Sound pressure level	85±3dB	At 0.1m 0.1W
有效频率范围 /Effective Frequency Range	F0~20KHz	
谐波失真/THD	≤5% at 1kHz	

2. 动作检查/OPERATIONAL TEST

项目/ITEM	信号/SIGNAL	输入/INPUT	扫频范围/SWEEP RANGE
SWEEP TEST	Sine Wave	0.5W(2.0V)	200~5000Hz

- 在动作检查中不得有异常音出现
- Without Abnormal Sound In Operation Test.

3. 负荷实验/LOAD TEST

项目/ITEM	信号/SIGNAL	输入/INPUT	驱动时间 DRIVING TIME
Continuous load Test	White Noise (Sunlilab Model 8121C)	0.5W(2.0V)	96 hours

- 负荷实验后，常温两小时存放再次听音不得有异常音出现,灵敏度应保持在限度范围内。
- Store At Normal Temperature For Two Hours After Load Test ,Without Abnormal Sound In Sweep Test, And The S.P.L Shall Be In The Limit.

4. 可靠性实验/Reliability Test

项目/Item	条件/Condition	判定/Judgement
高温放置实验 High Temp Storage Test	70°C±2°C/20~40%RH/96H & 20°C±5°C,2H	实验完成后产品应满足上述 第 1, 2, 3 项要求. Clause 1, 2, 3 Shall be Satisfied After Test
低温放置实验 Low Temp Storage Test	-40°C±2°C/20~40%RH/96H & 20°C±5°C,2H	

耐湿实验 Humidity Test	40°C±2°C/90~95%RH/96H & 20°C±5°C,1H	
耐高温负荷实验 Heat Running Test	70°C±2°C/20~40%RH, 1H	
耐低温负荷实验 Cold Running Test	-40°C±2°C/20~40%RH, 1H	
热冲击实验 Thermal Shock Test	70°C±2°C — -40°C±2°C — 70°C±2°C 5 Cycles	
震动实验 Vibration Test	X: 10Hz; Y: 40Hz; Z: 10Hz /2H	

5. 跌落实验/DROP TEST

项目/Item	条件/Condition	判定/Judgement
Drop Test	产品在包装状态下,从 1 米高处向混凝土地面跌落:6 面 8 角各一次 Speaker Shall Be Packed In The Carton And Dropped To The Concrete Floor(High:1m):Once Each 6 flat and 8 Angle	实验完成后新产品应满足上述第 3 项要求 Clause 3 Shall be Satisfied After Test

典型频响曲线 /TYPICAL FREQUENCY RESPONSE CURVE

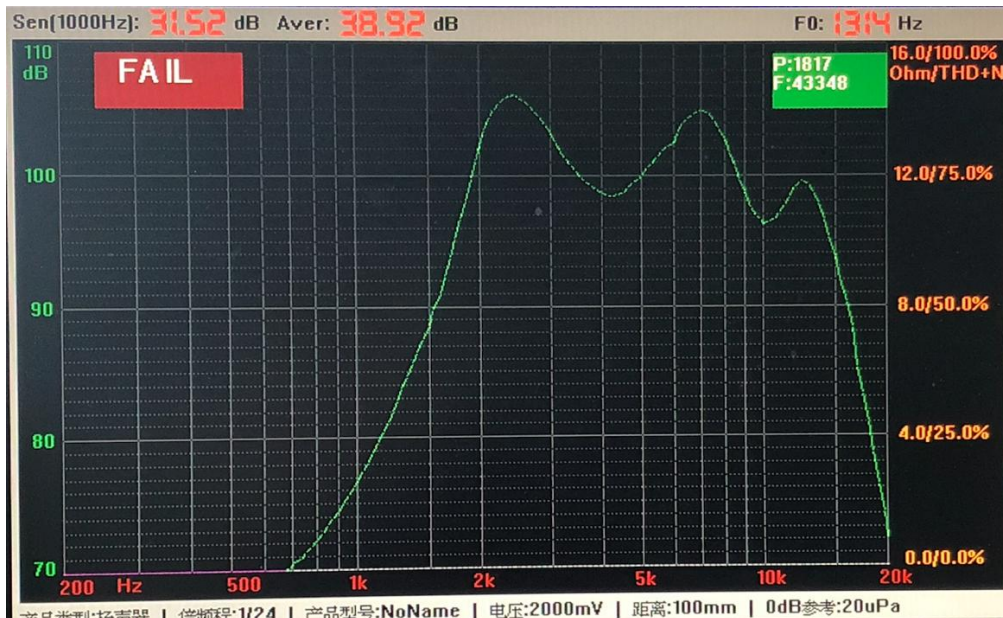


Figure.1 ■

FREQUENCY MEASURING CIRCUIT AND EAR PIECE

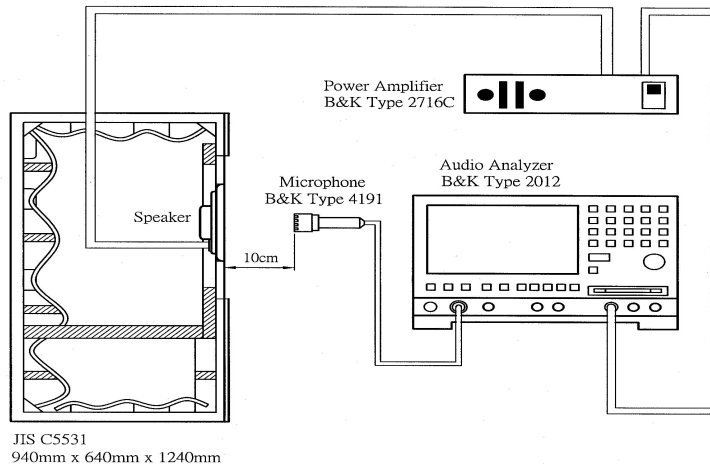
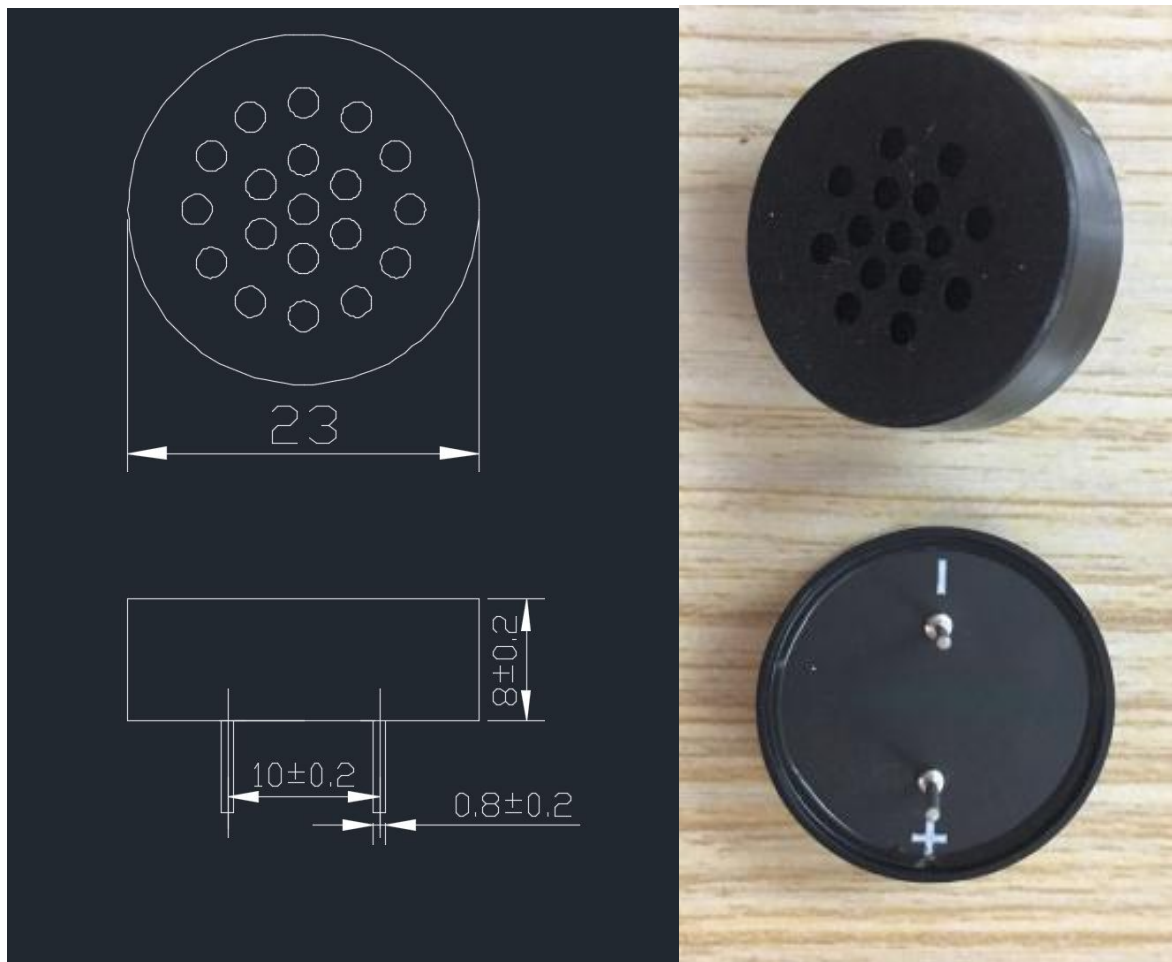


Figure.2

■ 产品外观图/ DIMENSIONAL DRAWING

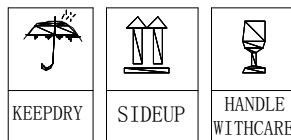
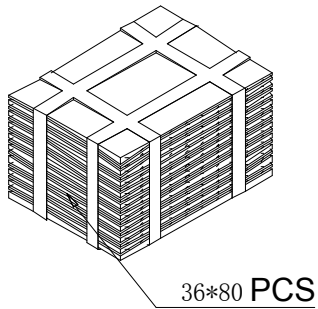
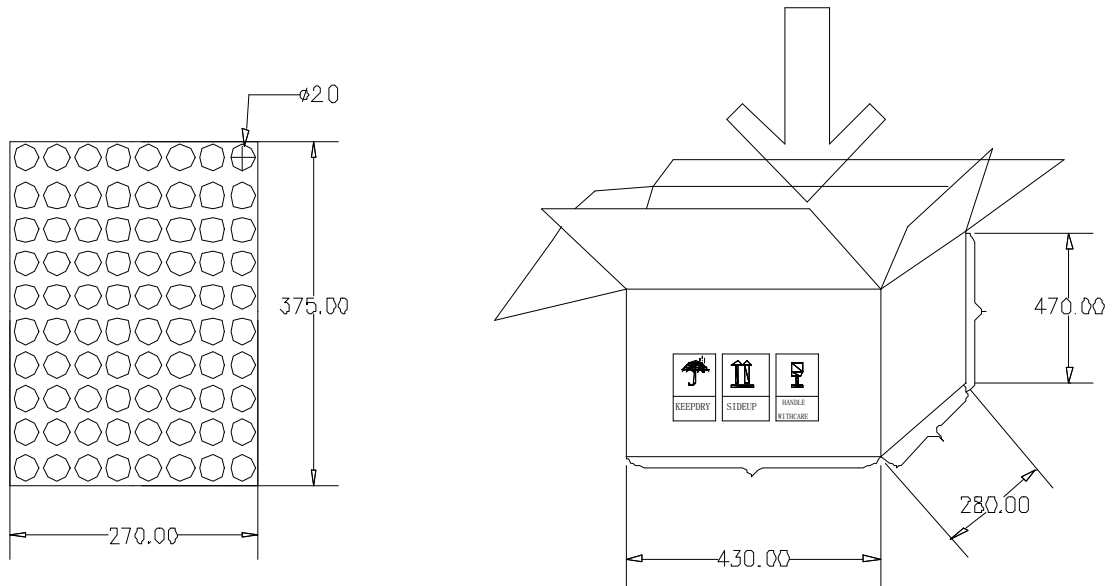


ITEM	DESCRIPTIONS	SPEC.	SUPPLIER	QTY	REMARK
1	Front foam ring	Adhesive		1	
2	Front cover	1Cr18Ni9		1	
3	Diaphragm	PEN		1	
4	Voice coil	Self-bonding wire		1	

5	Inner pole shoe	08F,		1	
6	Magnet	Nd-Fe-B		1	
7	U YOKE	SPCE		1	
8	PCB	T0.3		1	
9	Lead wire	UL1571 AWG30#		2	
10	Yoke assembly	PBT, black		1	
11	Insulator pad	Mylar		0	

Figure.3

■ 包装明细/Packaging details



侧面

DYNAMIC RECEIVER
 TYPE:
 QUANTITY: 2800PCS
 GROSS WT: Kg
 NET WT: Kg
 CM: 370*270*80

正面