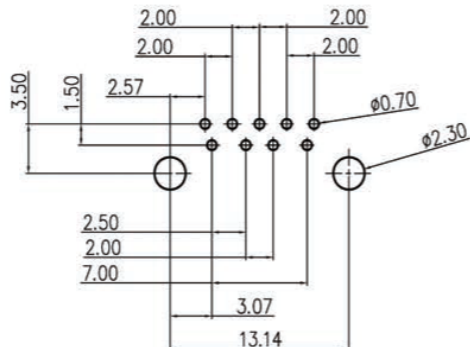
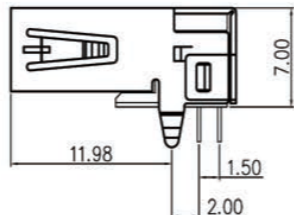
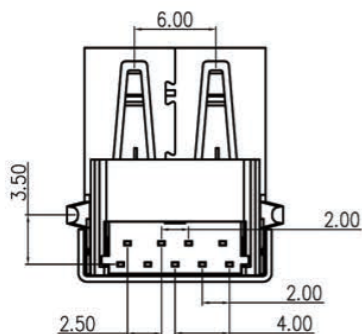
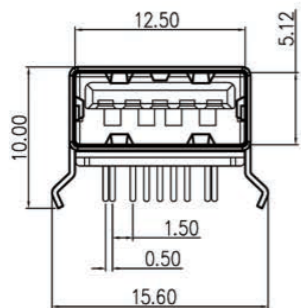
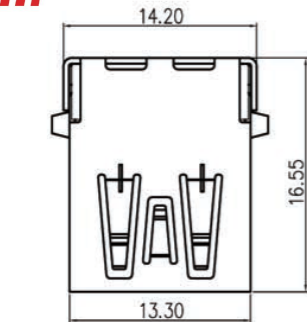


Kinghelm®

REV.	ECN.NO.	APPD.
A	/	Hexing



Remark:

1.MATERIAL:

- 1.1 Housing:thermoplastic plastics.
- 1.2 terminals:Copper Alloy
- 1.3 Shell:Copper Alloy/SPCC.

2.characteristics:

- 2.1 Rating Voltage : 30V AC.
- 2.2 Rating Current:PIN1&PIN4(Vbus&Correponding ground PIN)
1.8A MAX Other PINS 0.25A min.
- 2.3 Contact Resistance:PIN1&PIN4:30 mΩ MAX. Other PINS: 50 mΩ
- 2.4 Insulation Resistance:100 MΩ MIN.
- 2.5 Withstanding Voltage:AC 100V between adjacent contacts
- 2.6 Mating force: 3.57Kgf MAX(35N MAX)
- 2.7 Extraction force:1Kgf Min(9.8N Min)
- 2.8 Life test:1500Cycles MIN.
- 2.9 Temperature Range: -30℃~+80℃.

U321-062X-XXX0X1

- 1:Iron alloy
Ni plating
- 5:Copper alloy
Ni plating
- 1:Au 1u"
- 3:Au 3u"
- 5:Au 5u"
- 7:Au 10u"
- 8:Au 15u"
- A:Au 30u"
- 1:tray
- 2:Tube
- 8:Tape&Reel
- 9:Tape&Reel+Mylar
- 1:Black
- 7:Blue 300C
- 8:Blue 300C-1
- C:Blue 300C-2
- E:Blue 300C-3
- 9:Carbon black425C
- 1:PA66
- 2:PBT
- 6:LCP

TOLERANCE UNLESS OTHERWISE SPECIFIED		深圳市金航标电子有限公司		WWW.BDS666.COM	
.XXX ±0.10	.XX ±0.20	.X ±0.30	.X ±3'	.XX ±2'	
		KH-3.0AF90WJ-16.5		0755-83044319	
APPROVED		PART NAME:	USB 3.0 AF 90度无卷边		
CHECKED		PART No:	U321-062X-XXX0XX		C
DRAWN	Hexing	PROJECTION:	UNIT:	SCALE:	SHEET:
DATE	2014.08.01		mm	1:1	10F1
					REV. A