

# PV6 SERIES ANTI-VANDAL SWITCH

ANTI-VANDAL SWITCHES  
DETECTOR SWITCHES  
DIP SWITCHES  
KEYLOCK SWITCHES  
NAVIGATION SWITCHES  
PUSHBUTTON SWITCHES  
ROCKER SWITCHES  
ROTARY SWITCHES  
SLIDE SWITCHES  
SNAP ACTION SWITCHES  
TACTILE SWITCHES  
TOGGLE SWITCHES  
CAP OPTIONS



## APPLICATIONS / MARKETS



## SPECIFICATIONS

**Electrical Rating:** 2A, 48VDC  
**Mechanical Life:** 1,000,000 Cycles  
**Electrical Life:** 50,000 Cycles  
**Contact Resistance:** 50mΩ Max.  
**Insulation Resistance:** 1000 MΩ Min.  
**Dielectric Strength:** 2,000VAC  
**Operating/Storage Temperature:** -20°C to 55°C  
**Travel:** 1.80mm (Non-Illuminated)  
           2.20mm (Illuminated)  
**Moisture Protection:** IP65  
**Contact Arrangement:** SPST Off-(On)  
**Actuation Force:** 400 gf  
**Panel Thickness:** 1-10mm  
**Mounting Nut Torque:** 5-14Nm

## FEATURES & BENEFITS

- 16mm diameter panel cutout
- Single, Bi-color, and RGB LED options
- Dot or ring illumination options available
- Illuminated ring with laser etched power symbol graphic option
- Illuminated ring and power symbol graphic option
- Multiple actuator options
- Pilot indicator option
- IP65 rated, Off-(On), SPST
- Soldered wire leads (300mm long) optional

## PART NUMBER CONFIGURATOR

Series	Actuator Options	Terminal Options	Function Options	Rating Options	Body Finish Options	Actuator Finish Options	Contact Material Options	Lens Style Options	LED Color Options	Illumination Voltage Options	Graphic Options
PV6	F - Flat H - High	2 - Solder W - Wire Leads 300mm long	4 - Off - (On)* P - Pilot Indicator**	0 - 2A, 48VDC X - Pilot Indicator	N - Nickel Plated S - Stainless Steel 1 - Black Anodized	N - Nickel Plated S - Stainless Steel 1 - Black Anodized	NONE - Silver G - Gold	NONE - Non- Illuminated 2 - Dot Illumination 3 - Ring Illumination	NONE- Non- Illuminated 0 - White 1 - Red 2 - Orange 3 - Green 4 - Blue 5 - Yellow F - Red/Orange G - Red/Green H - Red/Blue J - Red/Yellow K - Orange/Green L - Orange/Blue M - Orange/Yellow R - RGB	NONE - Non- Illuminated 1 - Base Voltage <sup>‡</sup>	NONE - Base M01 - Illuminated Ring Laser Etched Power Symbol M15 - Illuminated Ring and Power Symbol

**NOTES:**  
 \*(On) denotes function is momentary  
 \*\*Pilot indicator does not have internal switch contacts, only illumination  
 †Base voltage for LED colors red, yellow, and orange is 1.8V @ 20mA  
 ‡Base voltage for LED colors blue, green and white is 2.8V @ 20mA

Specifications subject to change without notice 6.16.2021



**E-SWITCH®**

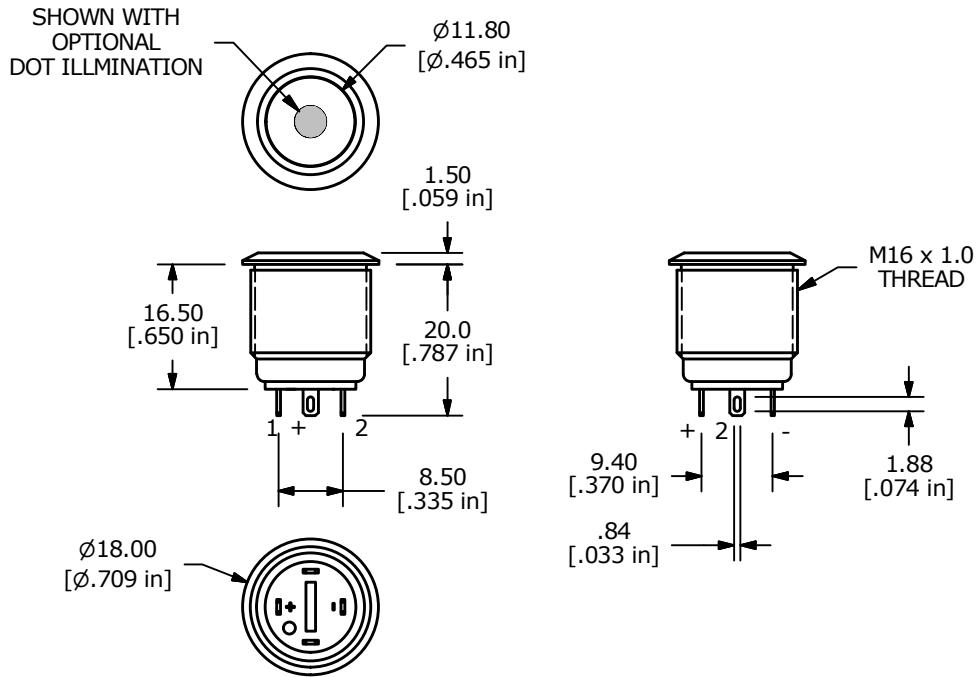
www.e-switch.com

800.867.2717

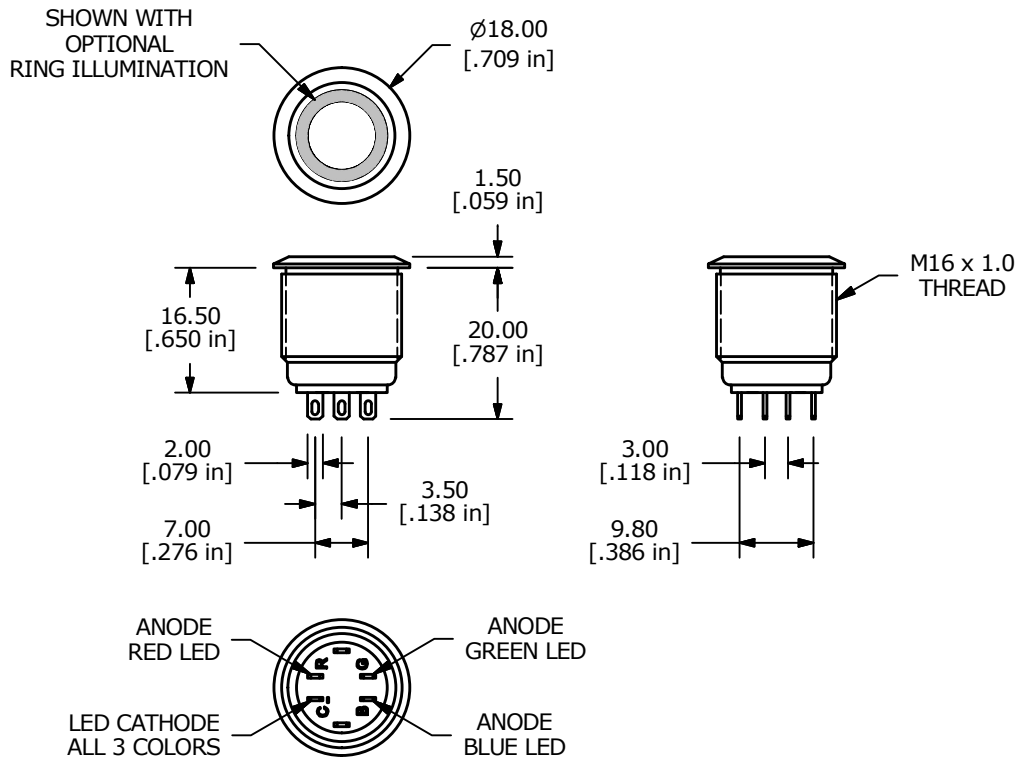
1

# PV6 SERIES ANTI-VANDAL SWITCH

## BODY DIMENSIONS LED ILLUMINATION



## BODY DIMENSIONS RGB ILLUMINATION

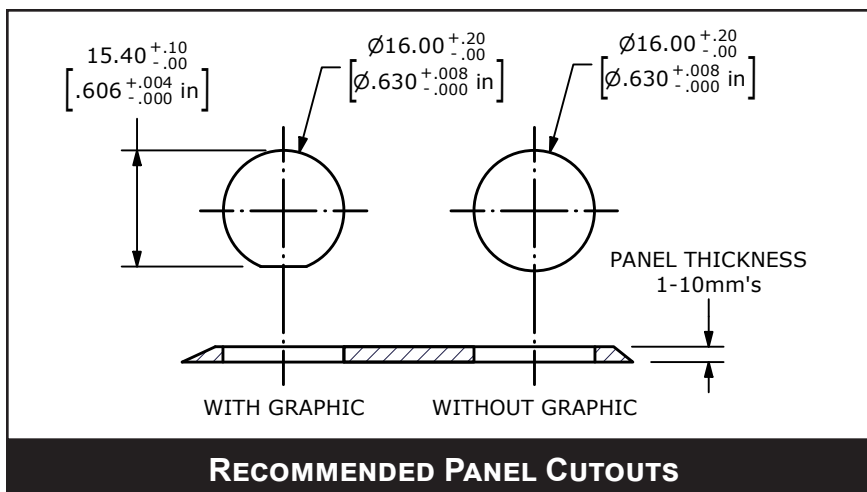
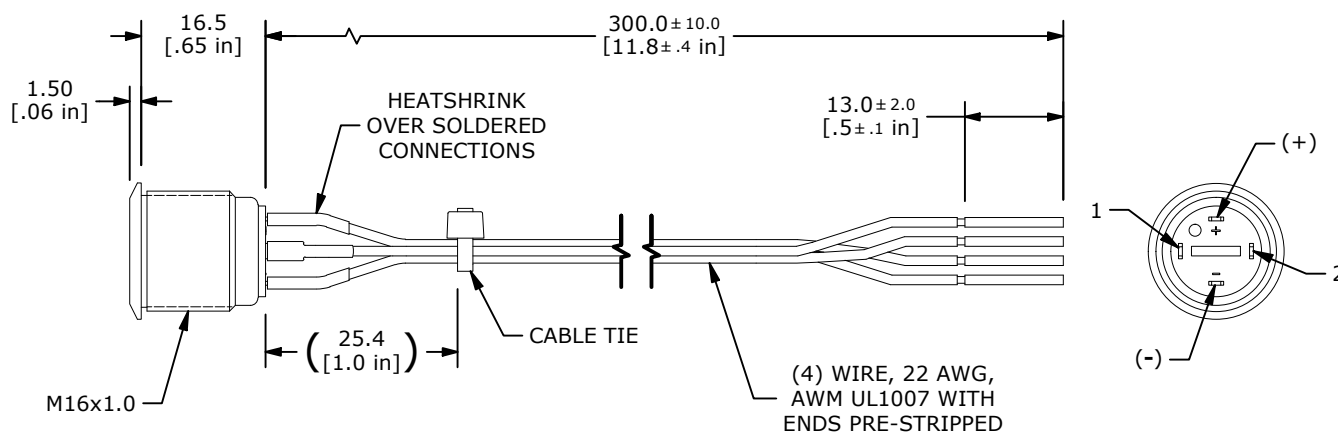


# PV6 SERIES ANTI-VANDAL SWITCH

## BODY DIMENSIONS STANDARD LED WIRE LEAD

SWITCH	WIRE	LENGTH
SW1-1	WIRE, 22AWG AWM UL1007, WHITE	300.0 [11.8 in]
SW1-2	WIRE, 22AWG AWM UL1007, GREEN	300.0 [11.8 in]
SW1- (+)	WIRE, 22AWG AWM UL1007, RED	300.0 [11.8 in]
SW1- (-)	WIRE, 22AWG AWM UL1007, BLACK	300.0 [11.8 in]

\*\* WIRE LEADS PROVIDED ARE DEPENDANT ON THE FUNCTION AND/OR ILLUMINATION SELECTED \*\*

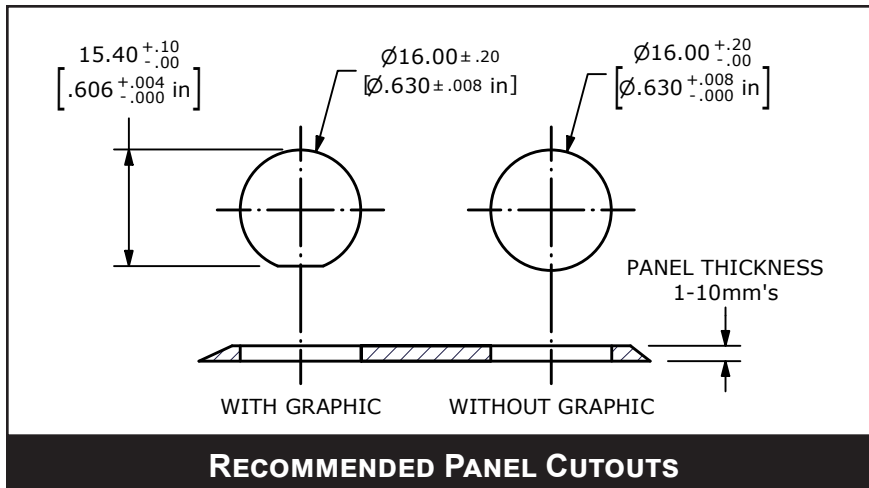
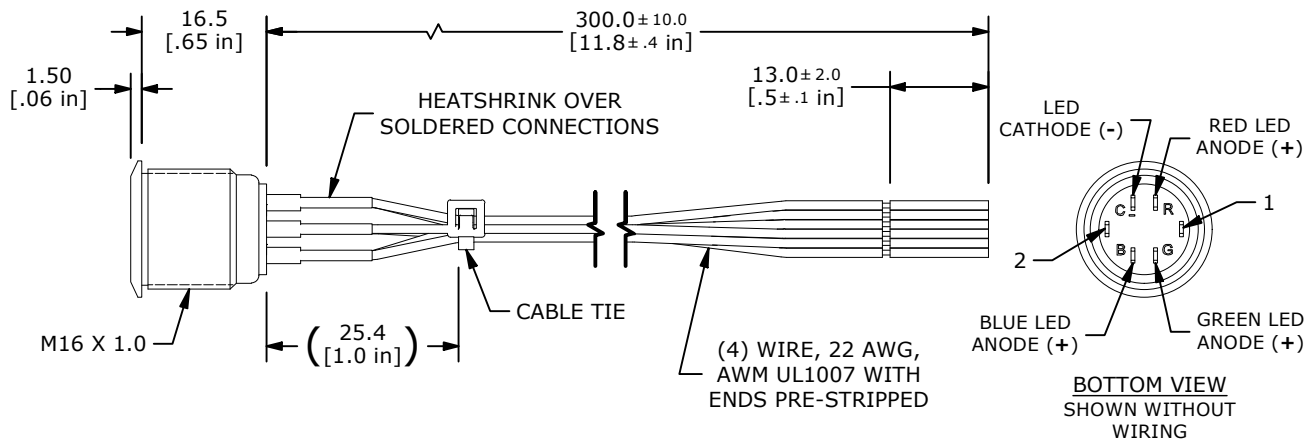


# PV6 SERIES ANTI-VANDAL SWITCH

## BODY DIMENSIONS STANDARD RGB WIRE LEAD

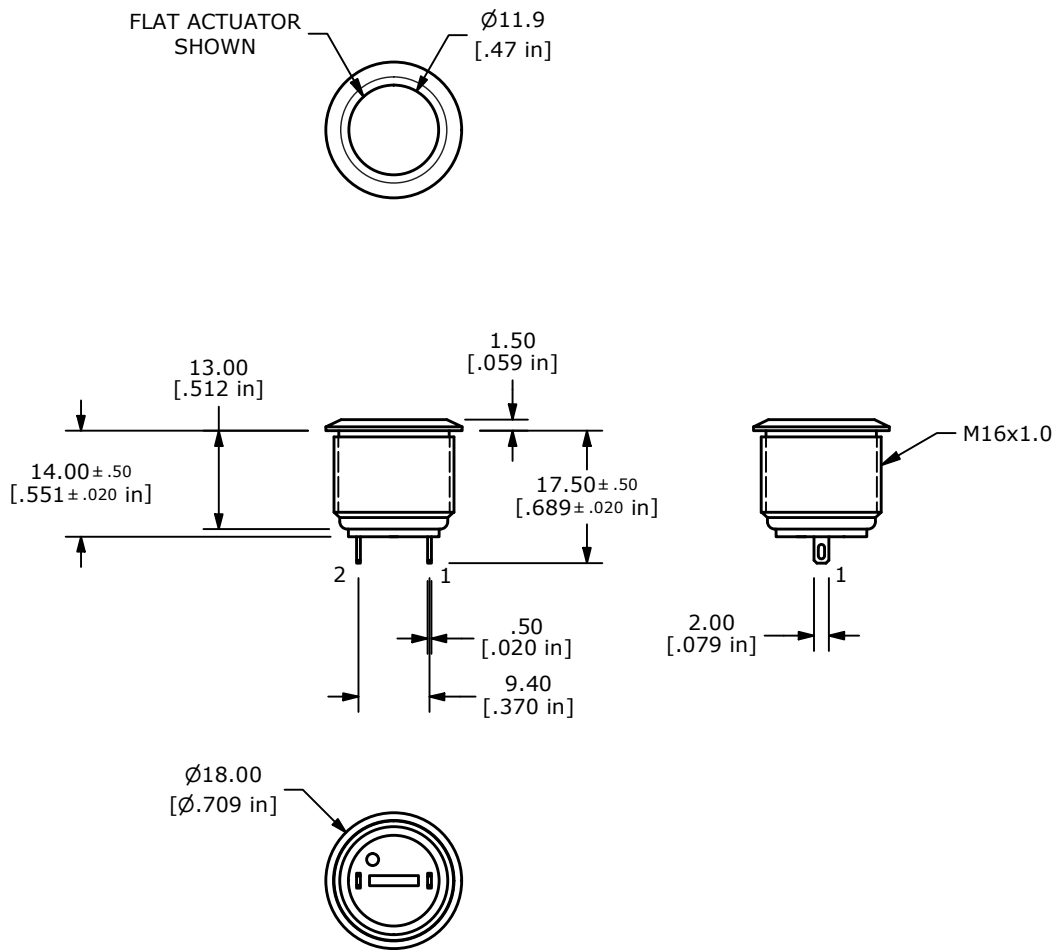
SWITCH	WIRE
SW1-1	WIRE, 22AWG STRANDED AWM UL1007, WHITE
SW1-2	WIRE, 22AWG STRANDED AWM UL1007, YELLOW
SW1-RED (+)	WIRE, 22AWG STRANDED AWM UL1007, RED
SW1-GREEN (+)	WIRE, 22AWG STRANDED AWM UL1007, GREEN
SW1-BLUE (+)	WIRE, 22AWG STRANDED AWM UL1007, BLUE
SW1- (-)	WIRE, 22AWG STRANDED AWM UL1007, BLACK

\*\* WIRE LEADS PROVIDED ARE DEPENDANT ON THE FUNCTION AND/OR ILLUMINATION SELECTED \*\*

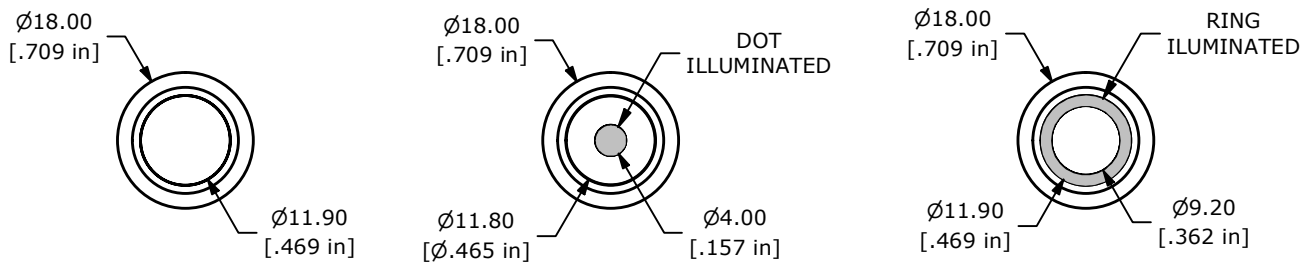


# PV6 SERIES ANTI-VANDAL SWITCH

## BODY DIMENSIONS NON ILLUMINATED



## ILLUMINATION OPTIONS



**NON-ILLUMINATED**

**DOT ILLUMINATED**

**RING ILLUMINATED**



**E-SWITCH®**

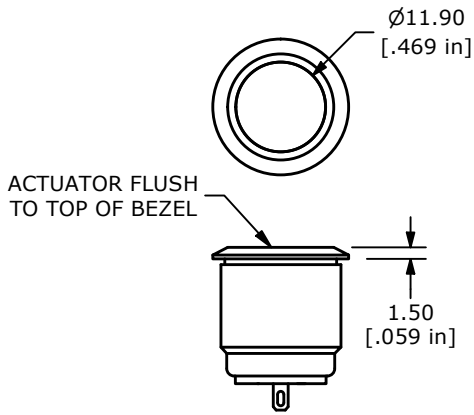
[www.e-switch.com](http://www.e-switch.com)

800.867.2717

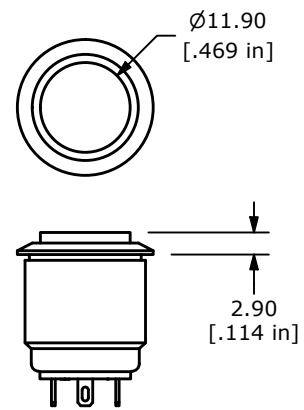
5

# PV6 SERIES ANTI-VANDAL SWITCH

## ACTUATOR OPTIONS

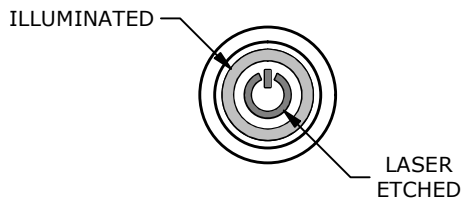


**FLAT ACTUATOR**

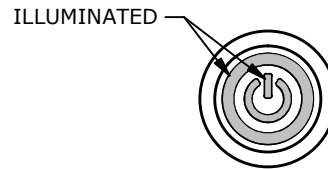


**HIGH ACTUATOR**

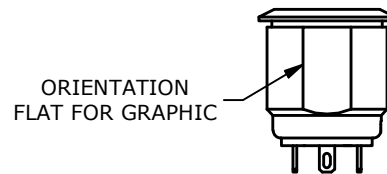
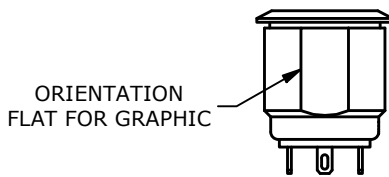
## GRAPHIC OPTIONS



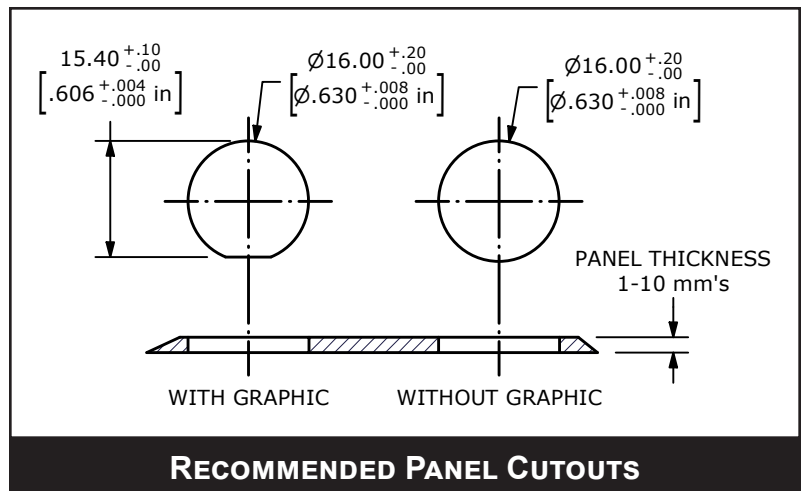
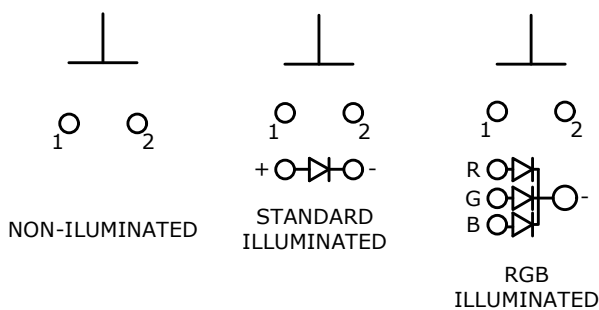
**M01 - ILLUMINATED RING LASER ETCHED POWER SYMBOL**



**M15 - ILLUMINATED RING AND POWER SYMBOL**



## SCHEMATICS AND PANEL CUTOUTS



**RECOMMENDED PANEL CUTOUTS**



ANTI-VANDAL SWITCHES  
 DETECTOR SWITCHES  
 DIP SWITCHES  
 KEYLOCK SWITCHES  
 NAVIGATION SWITCHES  
 PUSHBUTTON SWITCHES  
 ROCKER SWITCHES  
 ROTARY SWITCHES  
 SLIDE SWITCHES  
 SNAP ACTION SWITCHES  
 TACTILE SWITCHES  
 TOGGLE SWITCHES  
 CAP OPTIONS

# Mouser Electronics

Authorized Distributor

Click to View Pricing, Inventory, Delivery & Lifecycle Information:

## E-Switch:

[PV6F240NN-341](#) [PV6F240SS-3N1](#) [PV6F240SSG-301](#) [PV6F240SSG-311](#) [PV6F240SS-341](#) [PV6F240SS-311](#)  
[PV6F240SS-331](#) [PV6F240SS-211](#) [PV6F240SS-221](#) [PV6F240SS-301](#) [PV6F240SSG-331](#) [PV6F240SSG-3G1](#)  
[PV6F240NNG-341](#) [PV6H240SS-321](#) [PV6F2PXSS-241](#) [PV6H240SS-341](#) [PV6H240SS-351](#) [PV6H240SS-241](#)  
[PV6F240SS-321](#) [PV6H240SS-331](#) [PV6F240SSG-341](#) [PV6F2PXSS-251](#) [PV6F2PXSS-211](#) [PV6F240SS](#)  
[PV6H240SS-311](#) [PV6F2PXSS-231](#) [PV6H24011-341](#) [PV6F240SS-301-M01](#) [PV6F24011G-341](#) [PV6H24011-311](#)  
[PV6H240NN-3R1](#) [PV6F240SS-3R1](#) [PV6H240SS-3R1](#) [PV6F240NN-3R1](#) [PV6F240SS-351](#) [PV6F240SS-314](#)  
[PV6F240NN-304](#) [PV6H240SS-3G1](#) [PV6F24011-3G1](#) [PV6F2401S-341](#) [PV6F24011G-321](#) [PV6F240NN-311](#)  
[PV6F240NN-331](#) [PV6H24011-331](#) [PV6F240SS-341-M01](#) [PV6H24011-231](#) [PV6F24011G-301](#) [PV6H24011-351](#)  
[PV6F24011-331](#) [PV6F24011-341](#) [PV6H24011-3K1](#) [PV6F24011-3R1](#) [PV6F240SS-241](#) [PV6F240SSG-3M1](#)  
[PV6F240SSG-321](#) [PV6F24011G-3M1](#) [PV6F240SS-3H1](#) [PV6F240SS-3L1-M01](#) [PV6F24011-3L1](#) [PV6H2PXXSS-301](#)  
[PV6F2PXSS-331](#) [PV6F2PXSS-311](#) [PV6H2PXXSS-311](#) [PV6H240SSG-3G1](#) [PV6H24011-201](#) [PV6F24011-3K1-M01](#)  
[PV6F24011G-3G1](#) [PV6F240SS-3G1-M01](#) [PV6F2PXSS-3G1](#) [PV6H24011-3G1](#) [PV6F240SS-331-M15](#) [PV6F240SS-](#)  
[3K1](#) [PV6F240SSG-241](#) [PV6F240SS-341-M15](#) [PV6F240SS-3G1](#) [PV6F24011-2H1](#) [PV6H2PXXSS-341](#) [PV6F24011-](#)  
[2G1](#) [PV6F24011-3H1](#) [PV6F24011-301](#) [PV6F24011-311](#) [PV6F24011-321](#) [PV6F24011-3K1](#) [PV6F240SSG-3H1](#)  
[PV6F240SSG-3L1-M15](#) [PV6H24011G-321](#) [PV6F24011-3K1-M15](#) [PV6F24011-3R1-M15](#) [PV6F240SSG](#)  
[PV6H24011G-301](#) [PV6F240NN-3K1](#) [PV6F2PXSS-3R1](#) [PV6F240SS-3G1-M15](#) [PV6F240SSG-3G1-M01](#)  
[PV6H240SSG-311](#) [PV6H24011-3R1](#) [PV6H240SS-301](#) [PV6H24011-211](#) [PV6H240NN-331](#) [PV6F240SSG-3R1](#)