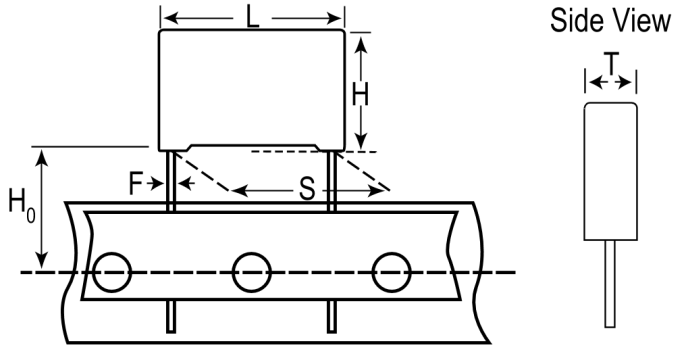


## R71VN3680DQ30K

Aliases (71VN3680DQ30K)

R71, Film, Metallized Polypropylene, General Purpose, 0.68 uF, 10%, 520 VDC, 105°C, Lead Spacing = 22.5mm



Click [here](#) for the 3D model.

### Dimensions

L	26.5mm +0.3/-0.5mm
H	16mm +0.1/-0.5mm
T	7mm +0.2/-0.5mm
S	22.5mm +/-0.4mm
H0	18.5mm +/-0.5mm
F	0.8mm +/-0.05mm

### Packaging Specifications

Packaging	Ammo, 360x340x59mm, Box
Packaging Quantity	380

### General Information

Series	R71
Dielectric	Metallized Polypropylene
Style	Radial
Features	PFC and Pulse
RoHS	Yes
Lead	Wire Leads
AEC-Q200	No
Typical Component Weight	1.429 g
Miscellaneous	Above 105C DC And AC Voltage Derating Is 4%/C.

### Specifications

Capacitance	0.68 uF
Capacitance Tolerance	10%
Voltage AC	250 VAC
Voltage DC	520 VDC
Temperature Range	-40/+110°C
Rated Temperature	105°C
Dissipation Factor	0.1% 25C
Insulation Resistance	44.1176 GOhms
Max dV/dt	120 V/us
Resistance	140.4 mOhms (100kHz)
Ripple Current	1.32 Amps (100kHz 85C), 81.6 Amps (Peak)
Inductance	18 nH