

626065 ✓ ACTIVE

FASTIN-FASTON | FASTIN-FASTON 110

TE Internal #: 626065

Crimp Terminal Housings, Tab, Tab Housing, 2 Position, Straight, UL 94V-0, Natural, Polyamide, Contact Mating Retention, FASTIN-FASTON 110

[View on TE.com >](#)



Terminals & Splices > Terminal Housings, Insulation Sleeves & Blocks > Crimp Terminal Housings



Terminal Type: **Tab**

Connector & Housing Type: **Tab Housing**

Number of Positions: **2**

Terminal Orientation: **Straight**

UL Flammability Rating: **UL 94V-0**

Features

Product Type Features

Sealable	No
Connector & Housing Type	Tab Housing

Configuration Features

Number of Positions	2
---------------------	---

Body Features

Primary Product Color	Natural
-----------------------	---------

Contact Features

Terminal Type	Tab
Terminal Orientation	Straight
Contact Mating Retention	With

Mechanical Attachment

Mating Retention Type	Latch
Mating Alignment	With

Connector Mounting Type	Cable Mount (Free-Hanging)
-------------------------	----------------------------

Housing Features

Housing Material	Polyamide
Centerline (Pitch)	4.6 mm[.181 in]

Dimensions

Product Length	25.43 mm[1 in]
----------------	----------------

Usage Conditions

Operating Temperature Range	-40 – 105 °C[-40 – 221 °F]
-----------------------------	----------------------------

Industry Standards

UL Flammability Rating	UL 94V-0
------------------------	----------

Packaging Features

Packaging Quantity	5500
--------------------	------

Product Compliance

[For compliance documentation, visit the product page on TE.com>](#)

EU RoHS Directive 2011/65/EU	Compliant
EU ELV Directive 2000/53/EC	Compliant
China RoHS 2 Directive MIIT Order No 32, 2016	No Restricted Materials Above Threshold
EU REACH Regulation (EC) No. 1907/2006	Current ECHA Candidate List: JUNE 2023 (235) Candidate List Declared Against: JAN 2023 (233) Does not contain REACH SVHC
Halogen Content	Low Halogen - Br, Cl, F, I < 900 ppm per homogenous material. Also BFR/CFR/PVC Free
Solder Process Capability	Not reviewed for solder process capability

Product Compliance Disclaimer

This information is provided based on reasonable inquiry of our suppliers and represents our current actual knowledge based on the information they provided. This information is subject to change. The part numbers that TE has identified as EU RoHS compliant have a maximum concentration of 0.1% by weight in homogenous materials for lead, hexavalent chromium, mercury, PBB, PBDE, DBP, BBP, DEHP, DIBP, and 0.01% for cadmium, or qualify for an exemption to these limits as defined in the Annexes of Directive 2011/65/EU (RoHS2). Finished electrical and electronic equipment products will be CE marked as required by Directive 2011/65/EU. Components may not be CE marked. Additionally, the part numbers that TE has identified as EU ELV compliant have a maximum concentration of 0.1% by weight in homogenous materials for lead, hexavalent chromium, and mercury, and 0.01% for cadmium, or qualify for an exemption to these limits as defined in the Annexes of Directive 2000/53/EC (ELV). Regarding the REACH Regulation, the information TE provides on SVHC in articles for this part number is based on the latest European Chemicals Agency (ECHA) 'Guidance on requirements for substances in articles' posted at this URL: <https://echa.europa.eu/guidance-documents/guidance-on-reach>

Compatible Parts



TE Part # 1-626065-2
FF 110 2P HOUSING TAB NATURAL
PA6.6 V-0



TE Part # 626065-5
HOUSING 2P .110 FASTIN-ON TAB

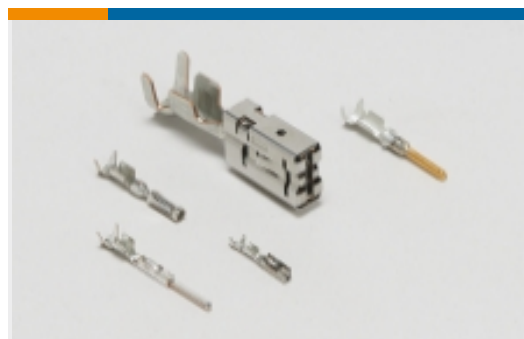


TE Part # 626063-1
FASTIN-ON .110 HOUSING TAB PA
6.6

Also in the Series | FASTIN-FASTON 110



Automotive Housings(6)



Automotive Terminals(6)



Crimp Terminal Housings(34)



Insertion & Extraction Tools(3)



Quick Disconnects(83)

Customers Also Bought



TE Part #3336796001
RBK-ESS-CROSS-10.0-X-8MM



TE Part #2-130130-1
SOLIS R 16-14 M6 TAPE



TE Part #2359941-1
96POS,MCON-1.2 CB,REC HSG,ASSY



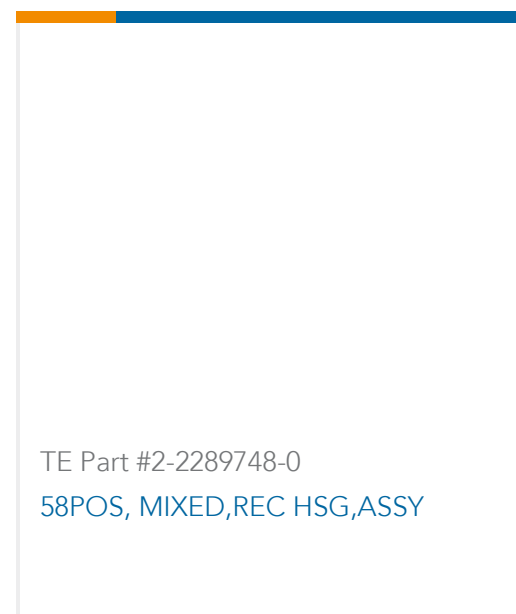
TE Part #444156-4
.250 FASTON REC.



TE Part #9-2348782-1
HD MATEnet 2+6 TAB HSG ASSY,
GRP E



TE Part #CB88166002
RBK-VWS-125-NR1-X-100MM



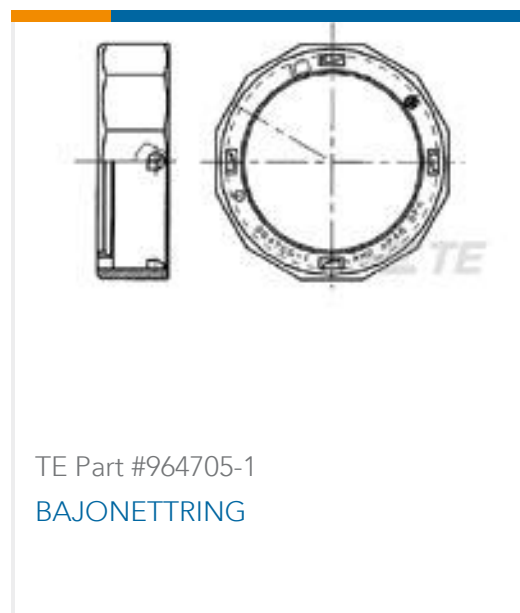
TE Part #2-2289748-0
58POS, MIXED, REC HSG, ASSY



TE Part #2359941-6
96POS, MCON-1.2 CB, REC HSG, ASSY



TE Part #2359943-2
96POS, MCON-1.2 CB, REC HSG, ASSY



TE Part #964705-1
BAJONETTRING

Documents

Product Drawings

[2 P FASTIN-ON 110 HOUSING TAB PA66 NAT](#)

English

CAD Files

[3D PDF](#)

3D

Customer View Model

[ENG_CVM_CVM_626065_L.2d_dxf.zip](#)

English

Customer View Model

[ENG_CVM_CVM_626065_L.3d_igs.zip](#)

English

Customer View Model

[ENG_CVM_CVM_626065_L.3d_stp.zip](#)

English

By downloading the CAD file I accept and agree to the [Terms and Conditions](#) of use.

Datasheets & Catalog Pages

[FASTIN_FASTON_Product_Line](#)

English

[White Paper: Nylon Discoloration](#)

English

Product Specifications

[Application Specification](#)

English

626065

Crimp Terminal Housings, Tab, Tab Housing, 2 Position, Straight, UL 94V-0, Natural, Polyamide, Contact Mating Retention, FASTIN-FASTON 110

