

FEATURES

- ※Center common terminal pin
- ※Through hole or SMT
- ※Flush & raised actuator

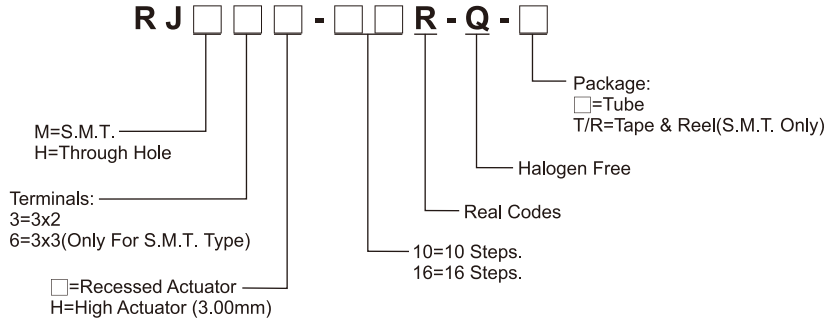
APPLICATION

- ※Industrial equipment
- ※Power supply
- ※Safety relay

SPECIFICATION

Contact Rating	25mA, 24V DC
Contact Resistance	100mΩ max.
Insulation Resistance	100MΩ min. 100V DC
Dielectric Strength	250V AC/1 minute
Operating Force	200gf·cm max.
Operating Life	20, 000 Steps
Operating Temp.	-40°C ~ +85°C
Storage Temp.	-40°C ~ +85°C

HOW TO ORDER

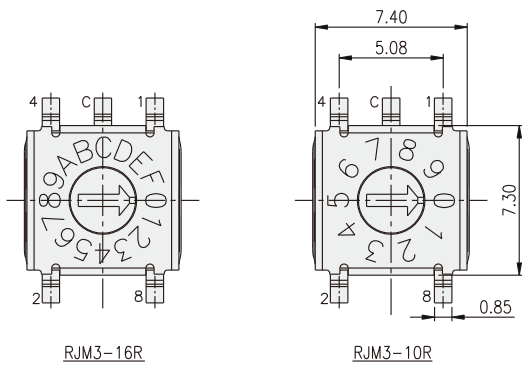


PACKAGE

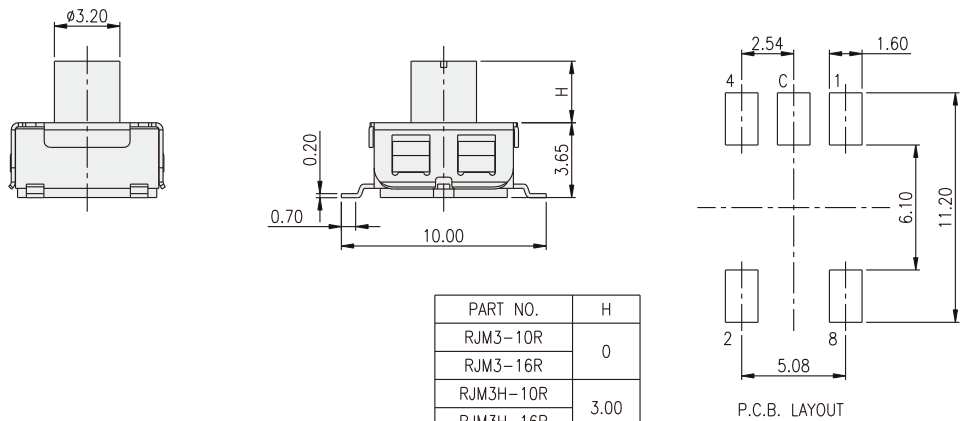
<Tube>
62 pcs
<Tape & Reel>
RJM[]: 1200 pcs
RJH[]: 650 pcs

ROTARY CODED SWITCH

RJM3

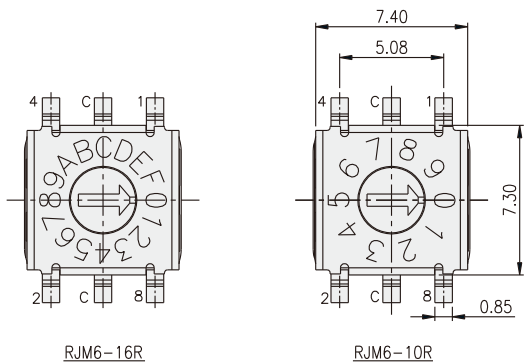


TYPE	POSITION	CODE			
		1	2	4	8
10R	0	●	●	●	●
	1	○	●	●	●
	2	●	○	●	●
	3	○	○	●	●
	4	●	●	○	●
	5	○	●	○	●
	6	●	○	○	●
	7	○	○	○	●
	8	○	●	●	○
	9	○	●	●	○
16R	A	●	○	●	○
	B	○	○	●	○
	C	○	●	○	○
	D	○	○	○	○
	E	●	○	○	○
	F	○	○	○	○



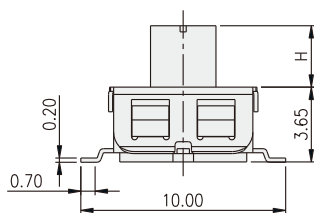
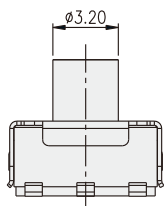
PART NO.	H
RJM3-10R	0
RJM3-16R	0
RJM3H-10R	3.00
RJM3H-16R	3.00

RJM6

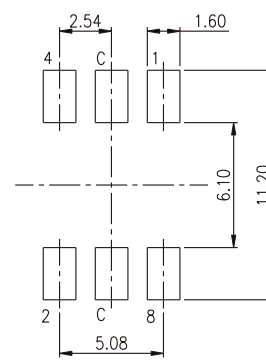


RJM6-16R

RJM6-10R



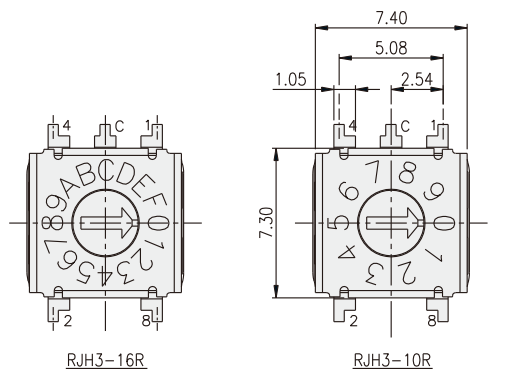
PART NO.	H
RJM6-10R	0
RJM6-16R	0
RJM6H-10R	3.00
RJM6H-16R	3.00



P.C.B. LAYOUT

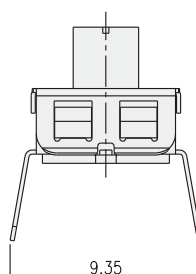
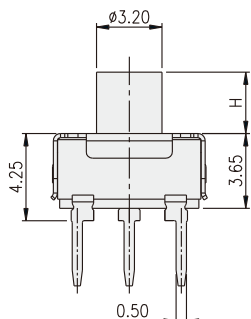
TYPE	POSITION	CODE			
		1	2	4	8
10R	0	●	●	●	●
	1	○	●	●	●
	2	●	○	●	●
	3	○	○	●	●
	4	●	●	○	●
	5	○	●	○	●
	6	●	○	○	●
	7	○	○	○	●
	8	●	○	●	○
	9	○	●	●	○
16R	A	●	○	○	○
	B	○	○	●	○
	C	●	●	○	○
	D	○	●	○	○
	E	●	○	○	○
	F	○	○	○	○

RJH3



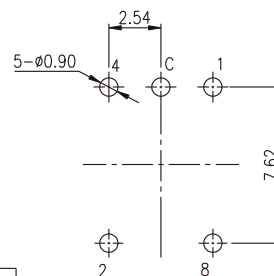
RJH3-16R

RJH3-10R



PART NO.	H
RJH3-10R	0
RJH3-16R	0
RJH3H-10R	3.00
RJH3H-16R	3.00

TYPE	POSITION	CODE			
		1	2	4	8
10R	0	●	●	●	●
	1	○	●	●	●
	2	●	○	●	●
	3	○	○	●	●
	4	●	●	○	●
	5	○	●	○	●
	6	●	○	○	●
	7	○	○	○	●
	8	●	○	●	○
	9	○	●	●	○
16R	A	●	○	○	○
	B	○	○	●	○
	C	●	●	○	○
	D	○	●	○	○
	E	●	○	○	○
	F	○	○	○	○



P.C.B. LAYOUT