



SERIES RP 3502 SWITCHES

PUSHBUTTON SWITCHES - PANEL MOUNT

TACT SWITCHES

NAVIGATION SWITCHES

PUSHBUTTON SWITCHES

TOGGLE SWITCHES

ROCKER SWITCHES

SLIDE SWITCHES

SNAP-ACTION SWITCHES

DIP SWITCHES

KEYLOCK SWITCHES

ROTARY SWITCHES

DETECTOR SWITCHES

CAP OPTIONS



SPECIFICATIONS

Contact Rating: 3A @ 120 VAC
1.5A @ 250 VAC

Life Expectancy (Mechanical): 6,000 cycles

Life Expectancy (Electrical): 6,000 cycles

Contact Resistance: 50mΩ (initial max.)

Insulation Resistance: 500MΩ min.

Dielectric Strength: 1,000 VAC 1 minute

Operating Temperature: -20°C to +65°C

MATERIALS

Plastic: Nylon (UL flame: 94V-2)

Metal: Nickel plated brass

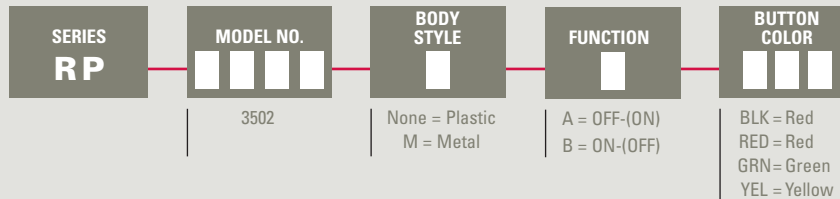
FEATURES & BENEFITS

- ▶ Single Pole, Single throw with momentary function
- ▶ Rugged, Panel mount design
- ▶ Available in Nylon or metal frame body

APPLICATIONS/MARKETS

- ▶ Test & Instrumentation
- ▶ Industrial controls
- ▶ Telecommunications
- ▶ Networking

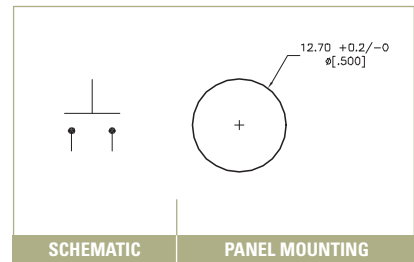
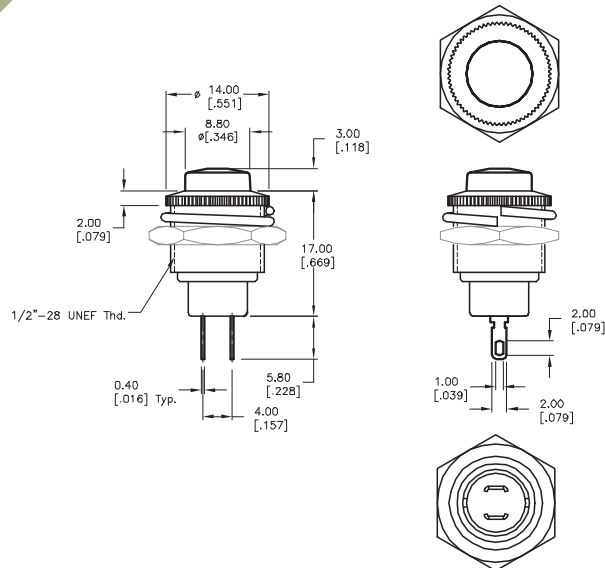
▶ ▶ ▶ HOW TO ORDER



▶ ▶ ▶ Example Ordering Number
RP-3502-M-A-BLK

Specifications subject to change without notice.

RP 3502



Mouser Electronics

Authorized Distributor

Click to View Pricing, Inventory, Delivery & Lifecycle Information:

E-Switch:

[RP3502ABLK](#) [RP3502ARED](#) [RP3502BBLK](#) [RP3502BRED](#) [RP3502MABLK](#) [RP3502MARED](#) [RP3502MAYEL](#)
[RP3502MBBLK](#) [RP3502MBGRN](#) [RP3502MBRED](#) [RP3502MBYEL](#) [RP3502MAGRN](#)