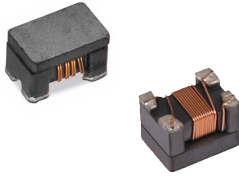


**SCM Series**  
Common Mode Filter  
Size 2012



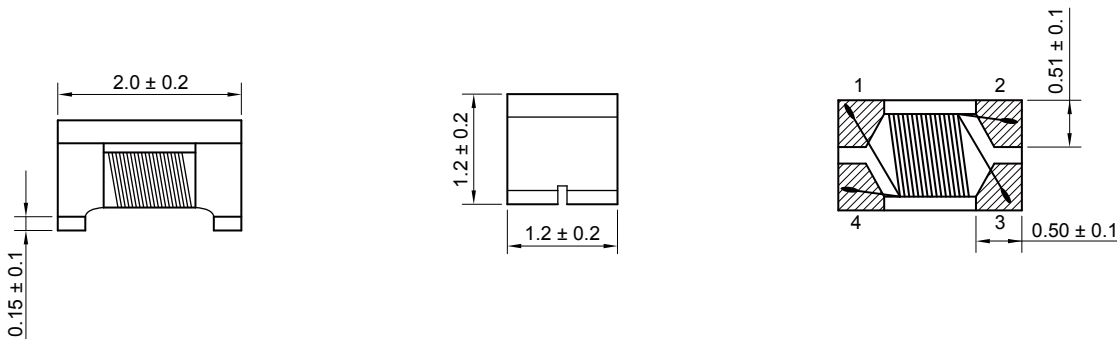
**FEATURES**

- Very high self-resonance frequency enables very high cut-off frequency, and good transmission of very high-speed signals without damage to the signal wave.
- Small size and low profile.
- Operating temperature -40~+125°C (Including self - temperature rise)

**FEATURES**

- USB3.1G2
- AV interfaces, such as HDMI 2.0, DVI and DisplayPort lines
- High-speed signal lines

Dimensions: [mm]



Schematic:



Electrical Properties:

Part No	Impedance @ 100 MHz (Ω)	Tolerance	DC Resistance Max. (Ω)	Rated Current Max. (mA)	Rated Volt (V)	Withstand Volt (V)	IR Min. (MΩ)
SCM2012HS-300-04	30	±25%	0.20	400	50	125	10
SCM2012HS-600-03	60	±25%	0.30	300	50	125	10
SCM2012HS-900-03	90	±25%	0.30	300	50	125	10
SCM2012HS-121-03	120	±25%	0.35	330	50	125	10

Typical Electrical Characteristics:

Attenuation VS Frequency

